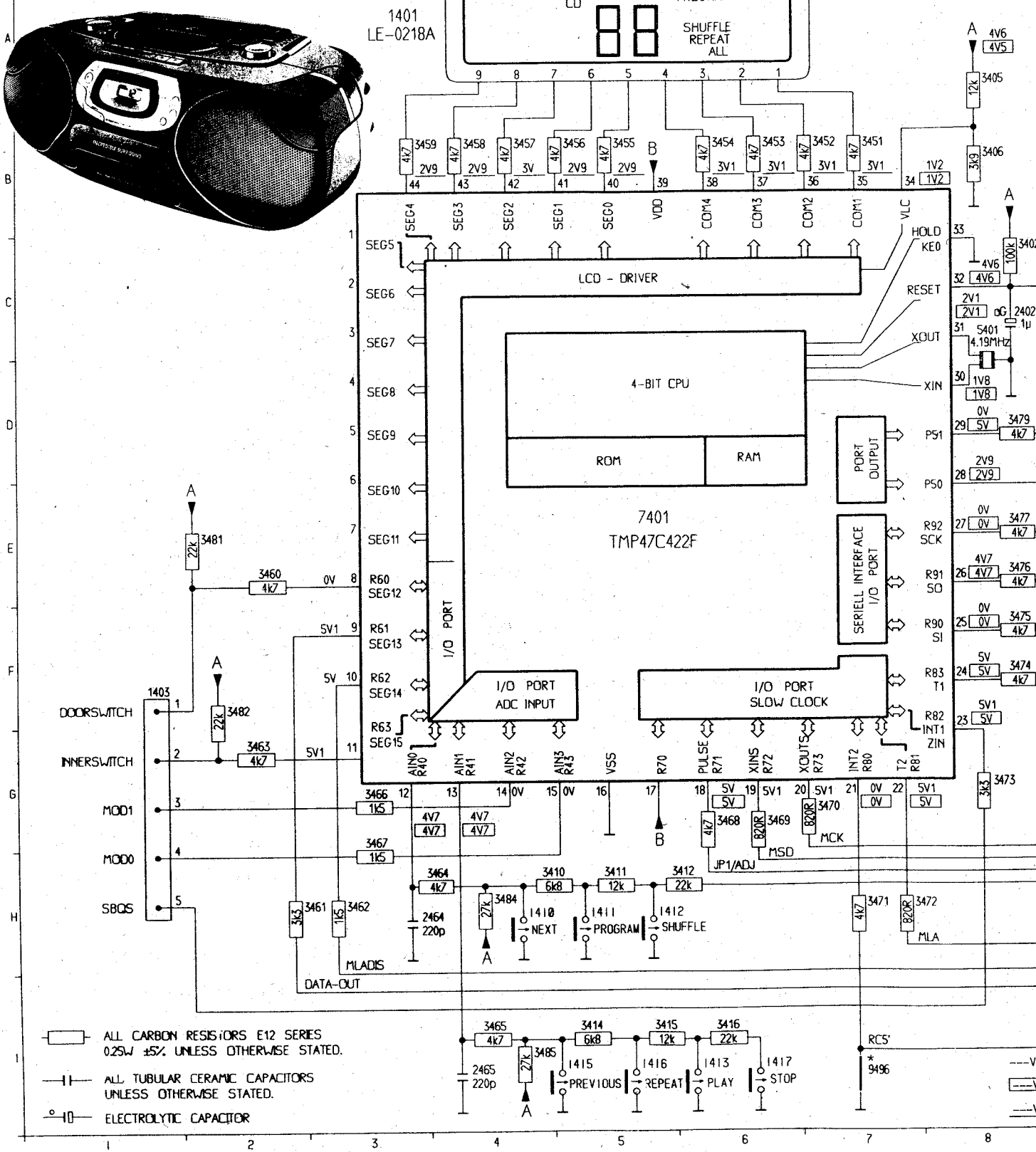
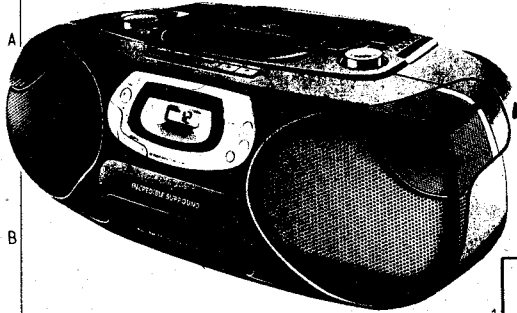


# CD Stereo Radio Recorder AZ1202/00/0

1401	A 3	1411	H 5	1417	I 6	2444	C14	2478	E11	3403	C 9	3408	A11	3415	I 5	3444	C15	3453	B 6	3458	B 4	3463	G 2	3468	G 6
1402	G14	1412	H 5	2401	B 9	2445	D16	2491	D12	3404	C 9	3410	H 4	3416	I 6	3445	C15	3454	B 6	3459	B 4	3464	H 4	3469	G 6
1403	F 1	1413	I 5	2402	C 8	2446	D15	2499	E13	3405	A 8	3411	H 5	3441	C13	3446	C15	3455	B 5	3460	F 2	3465	I 4	3470	G 6
1404	E12	1415	I 5	2441	D13	2464	H 4	3401	A 9	3406	B 8	3412	H 6	3442	C13	3451	B 7	3456	B 5	3461	H 3	3466	G 3	3471	H 6
1410	H 4	1416	I 5	2443	D12	2465	I 4	3402	C 8	3407	A10	3414	I 5	3443	C12	3452	B 7	3457	B 4	3462	H 3	3467	G 3	3472	H 6

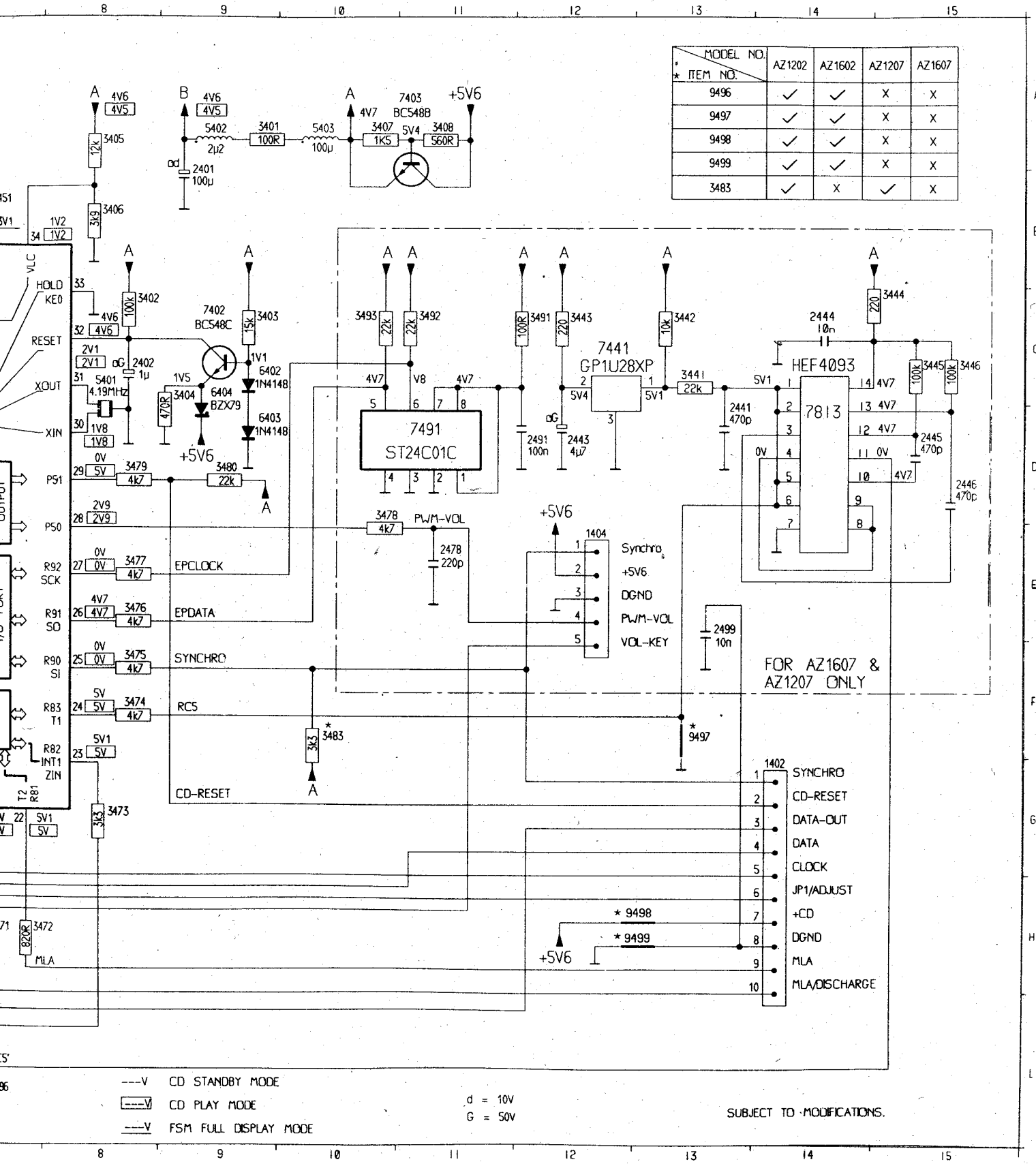
## FRONT BOARD - CIRCUIT DIAGRAM



- ALL CARBON RESISTORS E12 SERIES 0.25W ±5% UNLESS OTHERWISE STATED.
- ||— ALL TUBULAR CERAMIC CAPACITORS UNLESS OTHERWISE STATED.
- |○ ELECTROLYTIC CAPACITOR

# AZ1202/00/01/05/10/11/11H/17

B 4	3463	G 2	3468	G 6	3473	G 8	3478	D10	3483	F10	3493	C10	6403	D 9	7441	C12	9498	H13
B 4	3464	H 4	3469	G 6	3474	F 6	3479	D10	3484	H 4	5401	C 8	6404	C 9	7491	D11	9499	H13
B 4	3465	I 4	3470	H 7	3475	F 6	3480	D10	3485	I 4	5402	A 9	7401	E 5	7813	D14		
B 4	3466	G 3	3471	H 7	3476	F 6	3481	D10	3491	C12	5403	A10	7402	C 9	9496	I 7		
B 4	3467	G 3	3472	H 8	3477	F 6	3482	D10	3492	C11	6402	C 9	7403	A10	9497	F13		



MODEL NO.	AZ1202	AZ1602	AZ1207	AZ1607
* ITEM NO. 9496	✓	✓	X	X
9497	✓	✓	X	X
9498	✓	✓	X	X
9499	✓	✓	X	X
3483	✓	X	✓	X

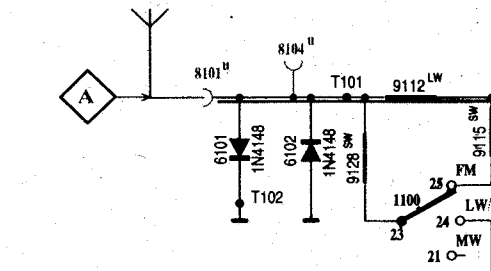
---V CD STANDBY MODE  
 - - - - V CD PLAY MODE  
 - - - - V FSM FULL DISPLAY MODE

d = 10V  
 G = 50V

SUBJECT TO MODIFICATIONS.

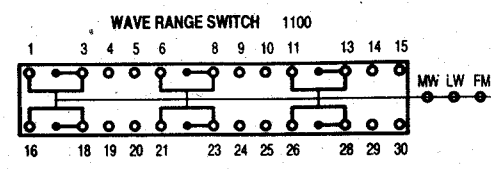
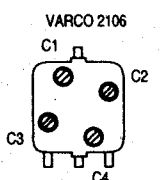
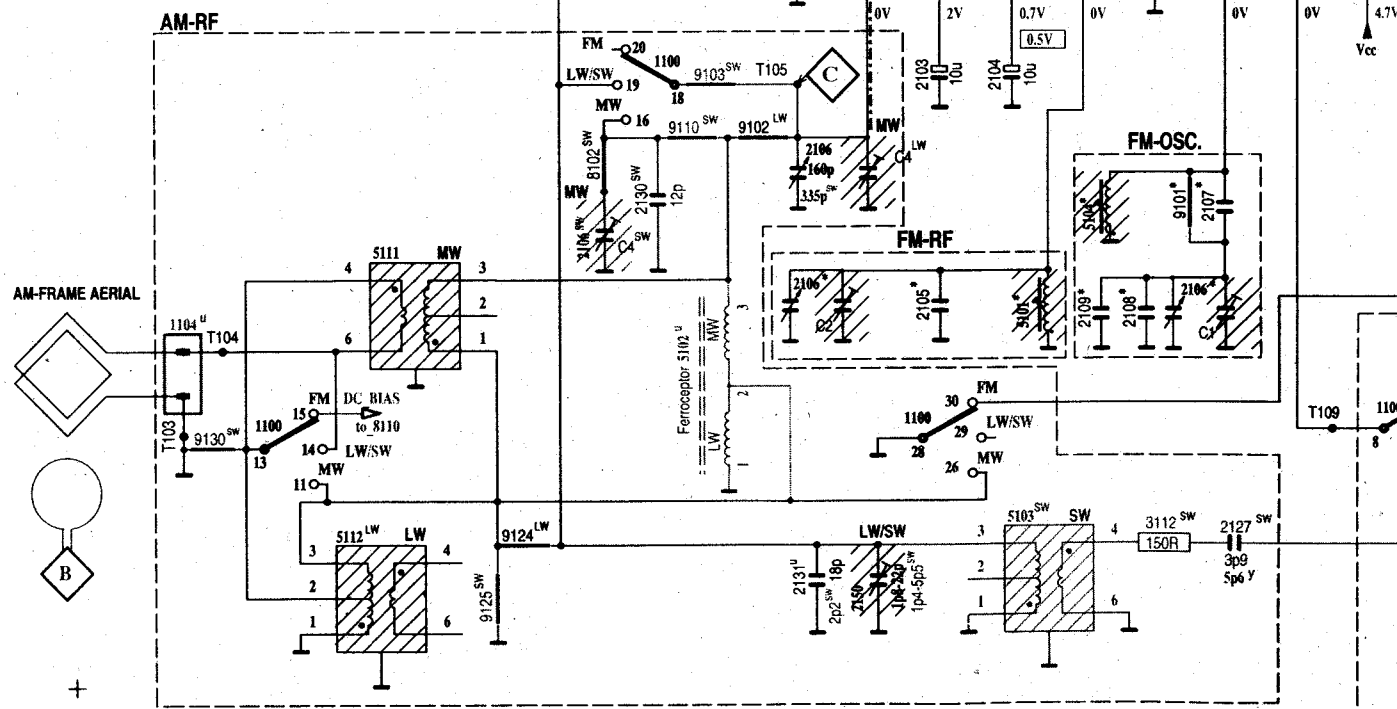
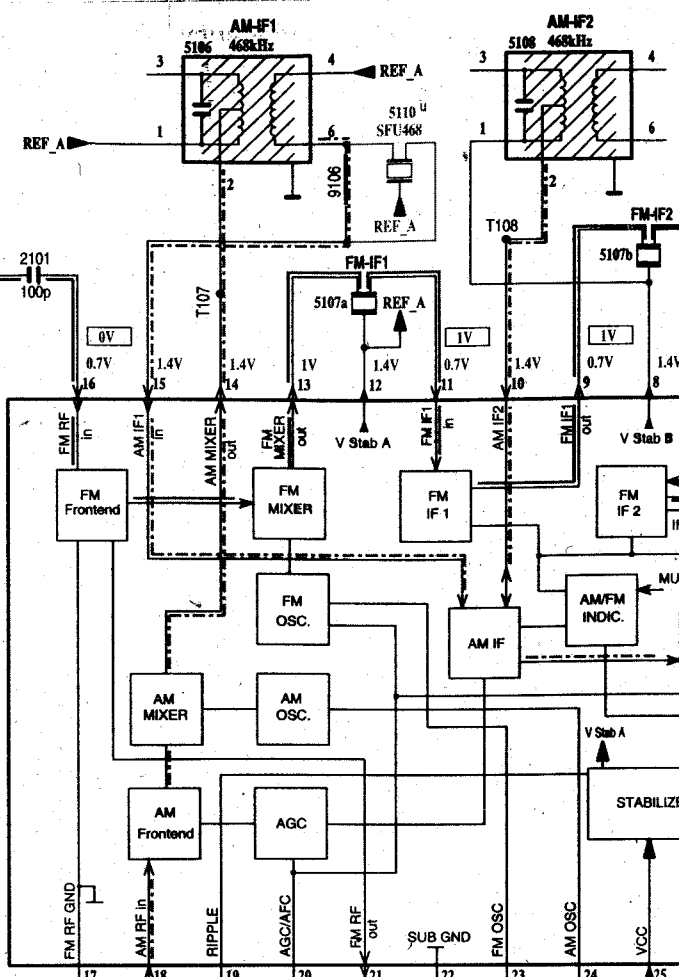
# ANALOG TUNER BOARD (ATM3F)

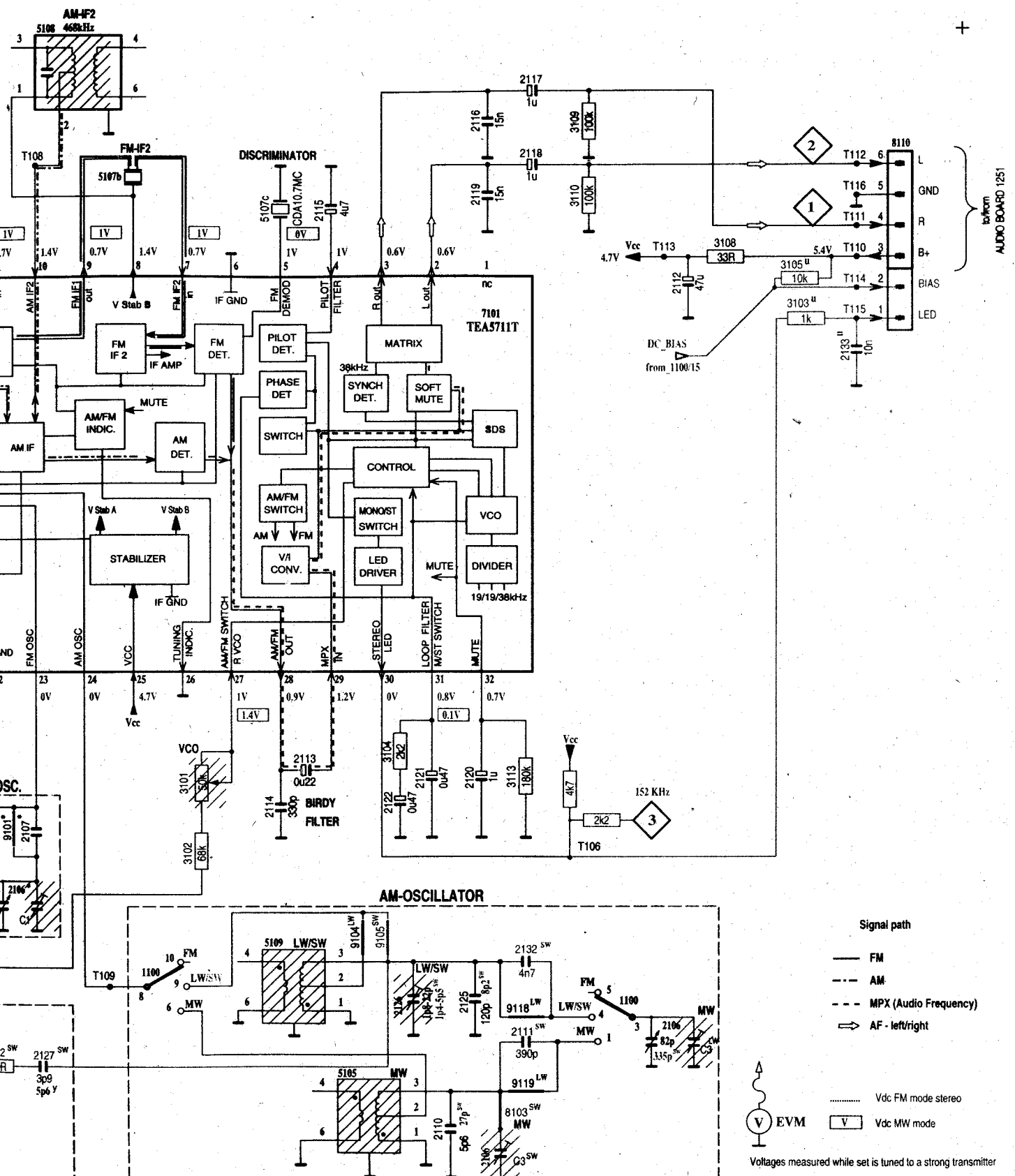
FM/LW/MW and FM/SW/MW versions



VERSION	FM 87.5-108MHz	EAST EUROPE 65-108 MHz
ITEM *		
2105	22p	8p2
2106	20p	40p
2107		390p
2108	22p	5p6
2109	4p7	2p2
5101	55nH	91nH
5104	40nH	72nH
9101	JMP	

u .....provisional only  
 Y .....value for SW-Eu (5.9-18.1MHz)  
 SW .....only for FM/SW/MW version  
 LW .....only for FM/LW/MW version





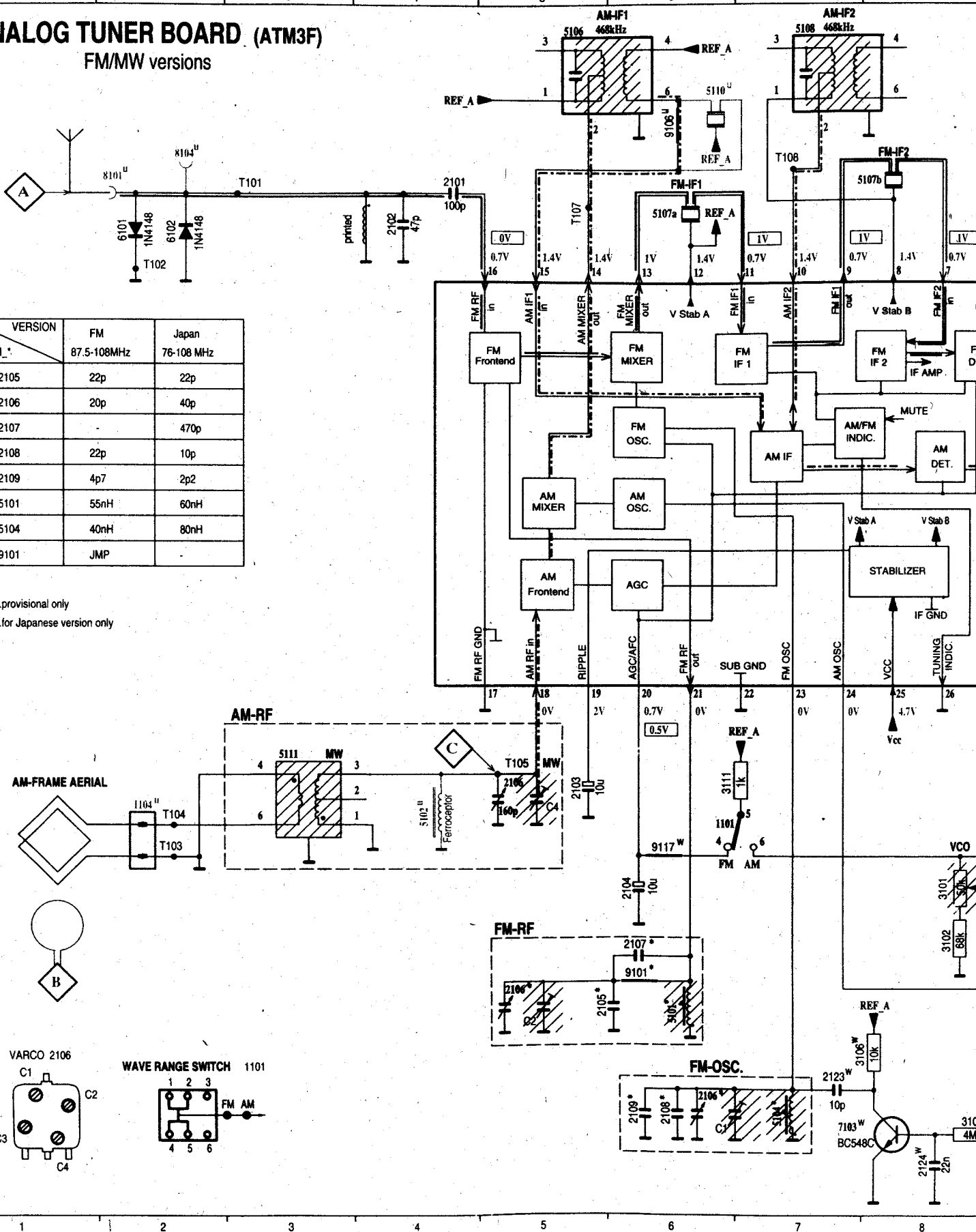
- 1100 H12
- 1100 H8
- 1100 F4
- 1100 B3
- 1100 H5
- A 2101 B4
- 2102 B4
- 2103 F5
- 2104 F6
- 2105 G5
- 2106 G7
- 2106 G5
- 2106 I12
- 2106 G5
- 2106 I11
- 2106 G3
- 2107 G7
- 2108 H6
- 2109 H6
- 2110 I10
- 2111 I11
- 2112 B12
- 2113 F9
- 2114 G9
- 2115 B9
- 2116 A11
- 2117 A11
- 2118 A11
- 2119 B11
- 2120 F11
- 2121 F10
- 2122 G10
- 2125 H10
- 2126 H10
- 2127 I7
- 2130 G4
- 2131 I5
- 2132 H11
- 2133 C14
- D 3101 G8
- 3102 G8
- 3103 C13
- 3104 F10
- 3105 B13
- 3108 B13
- 3109 A11
- 3110 B11
- 3112 I7
- E 3113 F11
- 5101 H6
- 5102 H4
- 5103 I6
- 5104 G6
- 5105 I10
- 5106 A5
- 5107a B6
- 5107b B8
- 5107c B9
- 5108 A7
- F 5109 H9
- 5110 A6
- 5111 G2
- 5112 I2
- 6101 B2
- 6102 B2
- 8102 G3
- 8101 B2
- G 8103 I11
- 8104 A2
- 8110 A14
- 9101 G7
- 9102 G4
- 9103 F4
- 9104 H10
- 9105 H10
- 9106 A6
- 9110 G4
- 9112 B3
- 9115 B3
- 9118 H11
- H 9119 I11
- 9124 I3
- 9125 I3
- 9128 B3
- 9130 H1

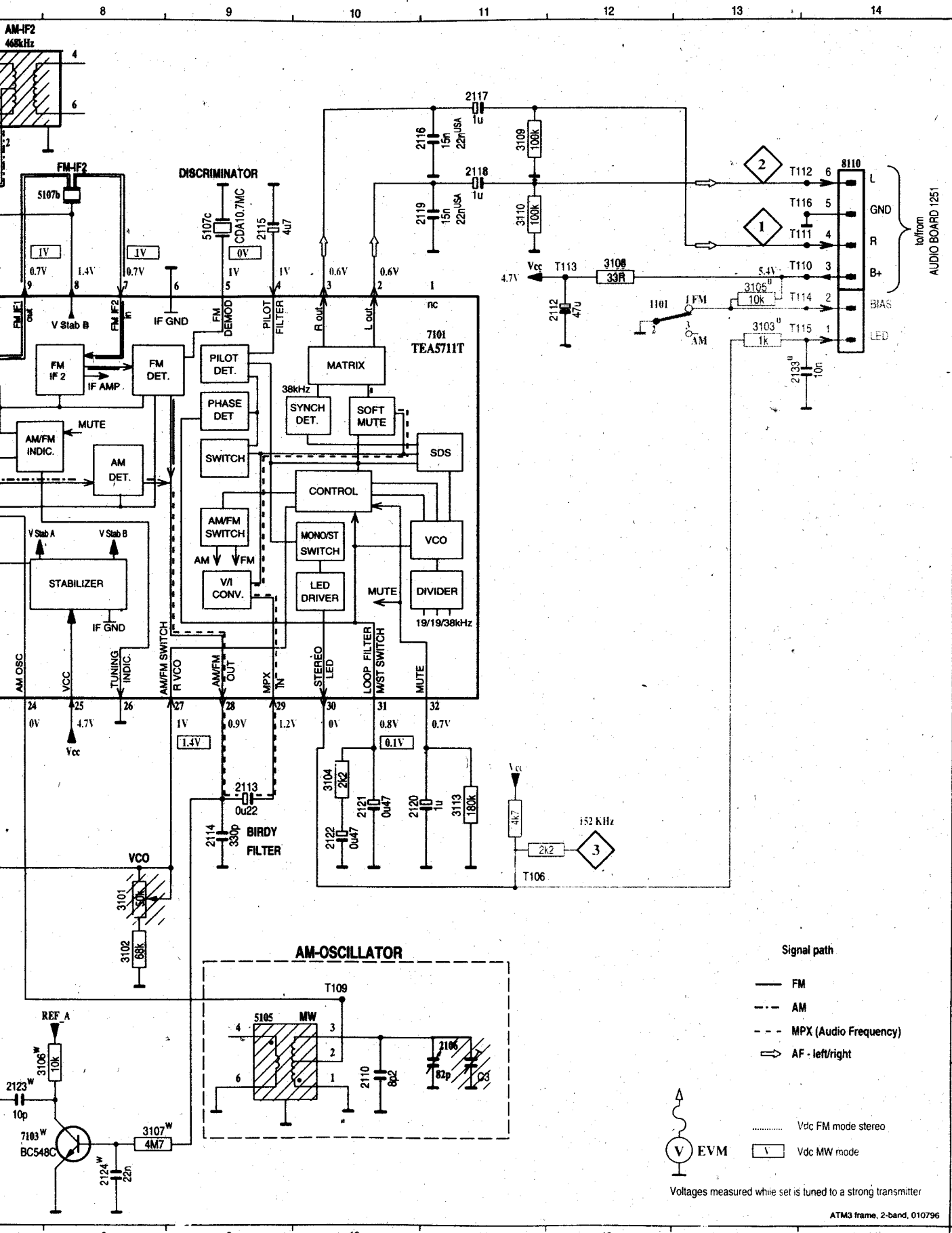
# ANALOG TUNER BOARD (ATM3F)

FM/MW versions

VERSION	FM 87.5-108MHz	Japan 76-108 MHz
ITEM_*		
2105	22p	22p
2106	20p	40p
2107		470p
2108	22p	10p
2109	4p7	2p2
5101	55nH	60nH
5104	40nH	80nH
9101	JMP	

u .....provisional only  
 W .....for Japanese version only





- 1101 B12
- 1101 G 6
- 1104 G 2
- 2101 B 4
- 2102 B 4
- 2103 F 5
- 2104 G 6
- 2105 H 5
- 2106 I 6
- 2106 H 11
- 2106 F 5
- 2106 H 5
- 2107 H 6
- 2108 I 6
- 2109 I 6
- 2110 I 10
- 2112 B 12
- 2113 F 9
- 2114 G 9
- 2115 B 9
- 2116 A 11
- 2117 A 11
- 2118 A 11
- 2119 B 11
- 2120 F 10
- 2121 F 10
- 2122 G 10
- 2123 I 7
- 2124 I 8
- 2133 C 13
- 3101 G 8
- 3102 H 8
- 3103 C 13
- 3104 F 10
- 3105 B 13
- 3106 I 8
- 3107 I 8
- 3108 B 12
- 3109 A 11
- 3110 B 11
- 3111 F 6
- 3113 F 11
- 5101 H 6
- 5102 G 4
- 5104 I 7
- 5105 I 9
- 5106 A 5
- 5107a B 6
- 5107b B 8
- 5107c B 9
- 5108 A 7
- 5110 A 6
- 5111 F 3
- 6101 B 2
- 6102 B 2
- 7101 C 11
- 7103 I 7
- 8101 B 2
- 8104 A 2
- 8110 A 14
- 9101 H 6
- 9106 A 6
- 9117 G 6

Signal path

- FM
- - - AM
- - - MPX (Audio Frequency)
- ⇒ AF - left/right

Vdc FM mode stereo

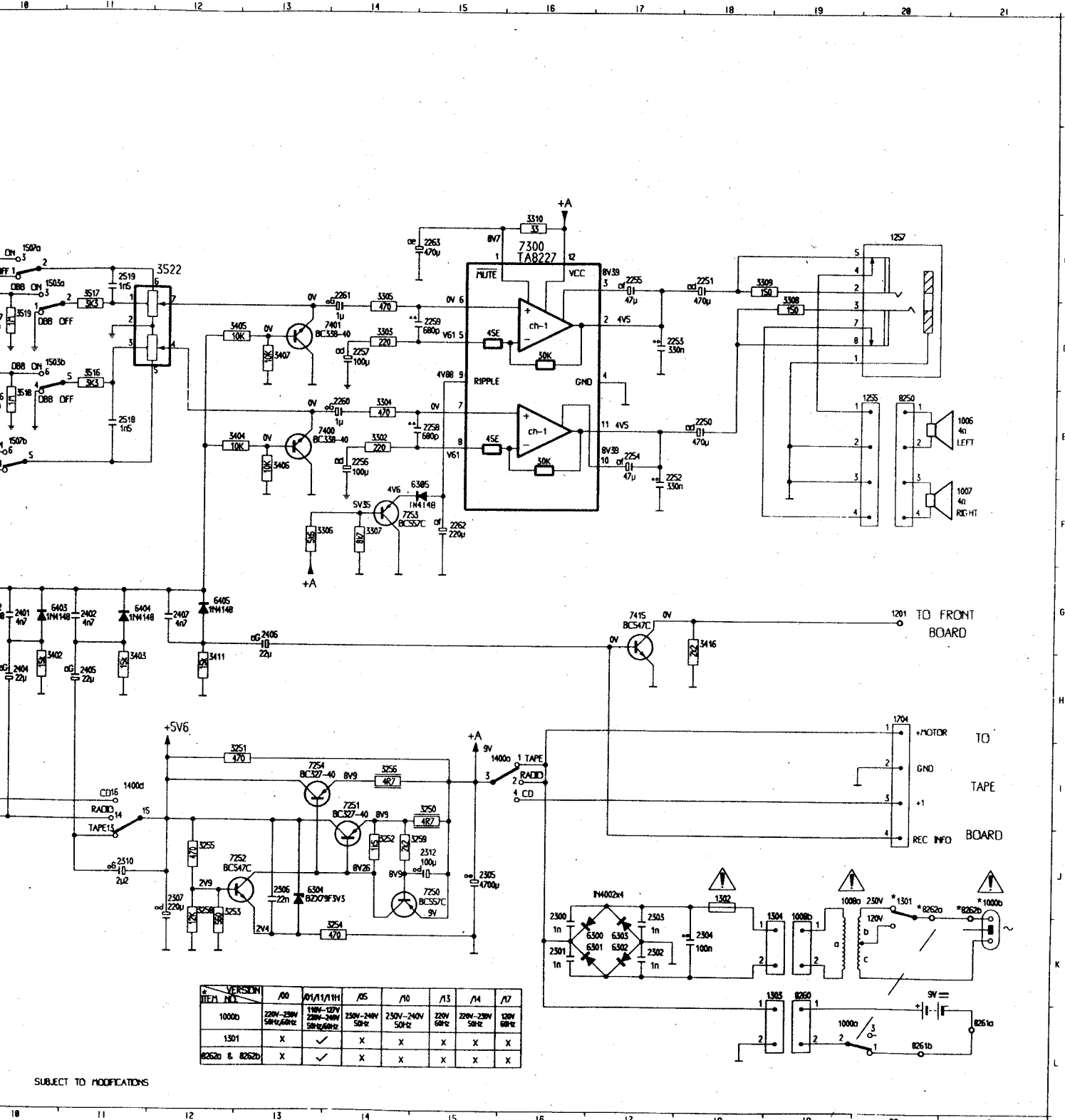
Vdc MW mode



Voltages measured while set is tuned to a strong transmitter



F14	3308	D19	3494	E12	3516	D11	3530	F 5	3582	F 7	3588	E 8	3597	J 3	3628	F 8	6381	K17	6483	G18	7253	F14	7513	E 7	8262a	J21
D14	3309	C18	3485	E13	3517	D11	3576	E 6	3583	C 7	3589	E 8	3598	J 3	3621	D 8	6382	K17	6484	G11	7254	F13	7514	E 7	8262b	J21
F14	3310	C18	3486	E13	3518	D18	3577	D 6	3584	F 7	3590	F 8	3599	H 3	3660	E 9	6383	K17	6485	G12	7300	C16	8258	E28		
D14	3481	H18	3487	D13	3519	D18	3578	D 6	3585	C 7	3591	D 8	3598	I 3	3661	C 9	6384	J13	7258	J15	7480	E13	8259	K19		
F13	3482	H18	3411	H12	3520	C12	3579	D 6	3586	F 7	3592	H 2	3618	F 2	3618	F 2	5583	G 4	6385	F15	7251	I14	7481	D13	8261a	L21
F14	3483	H11	3416	G18	3521	F 5	3580	C 6	3587	D 7	3593	H 2	3611	D 5	6380	K17	6482	G18	7252	J12	7415	G17	8261b	L28		

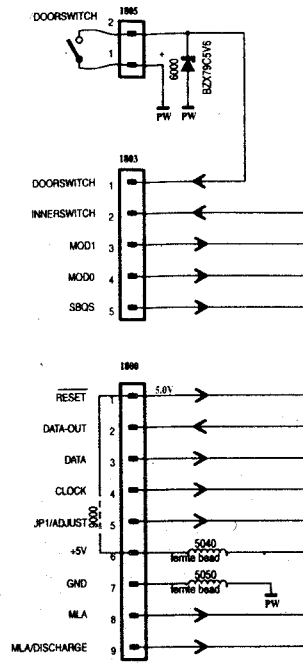


VERSION ITEM NO.	/00	/01/11/11H	/05	/10	/13	/14	/17
1000b	220V-230V 50Hz/60Hz	110V-120V 220V-240V 50Hz/60Hz	230V-240V 50Hz	230V-240V 50Hz	220V 60Hz	220V-230V 50Hz	220V 60Hz
1301	X	✓	X	X	X	X	X
8262a & 8262b	X	✓	X	X	X	X	X

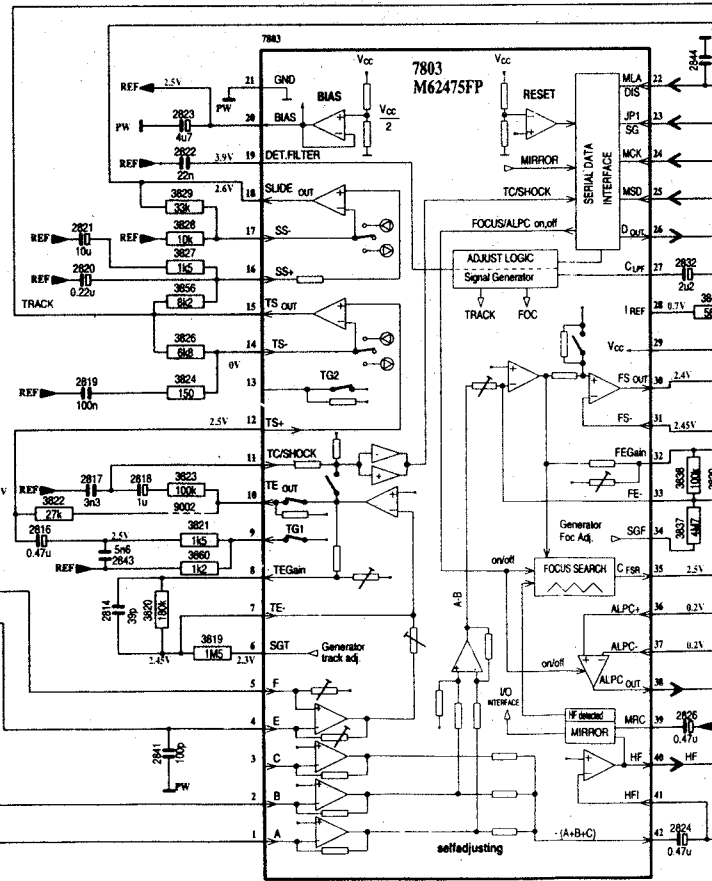
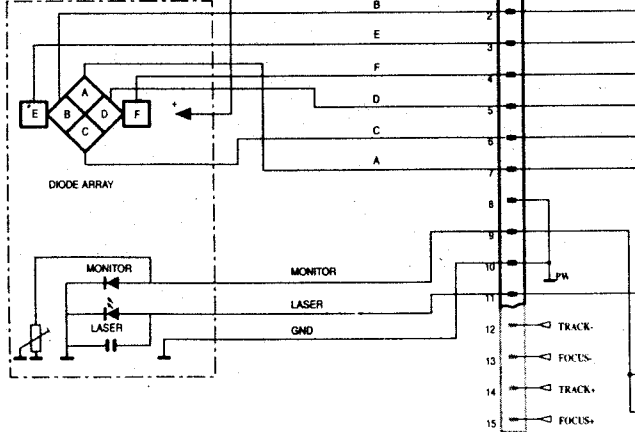
SUBJECT TO MODIFICATIONS

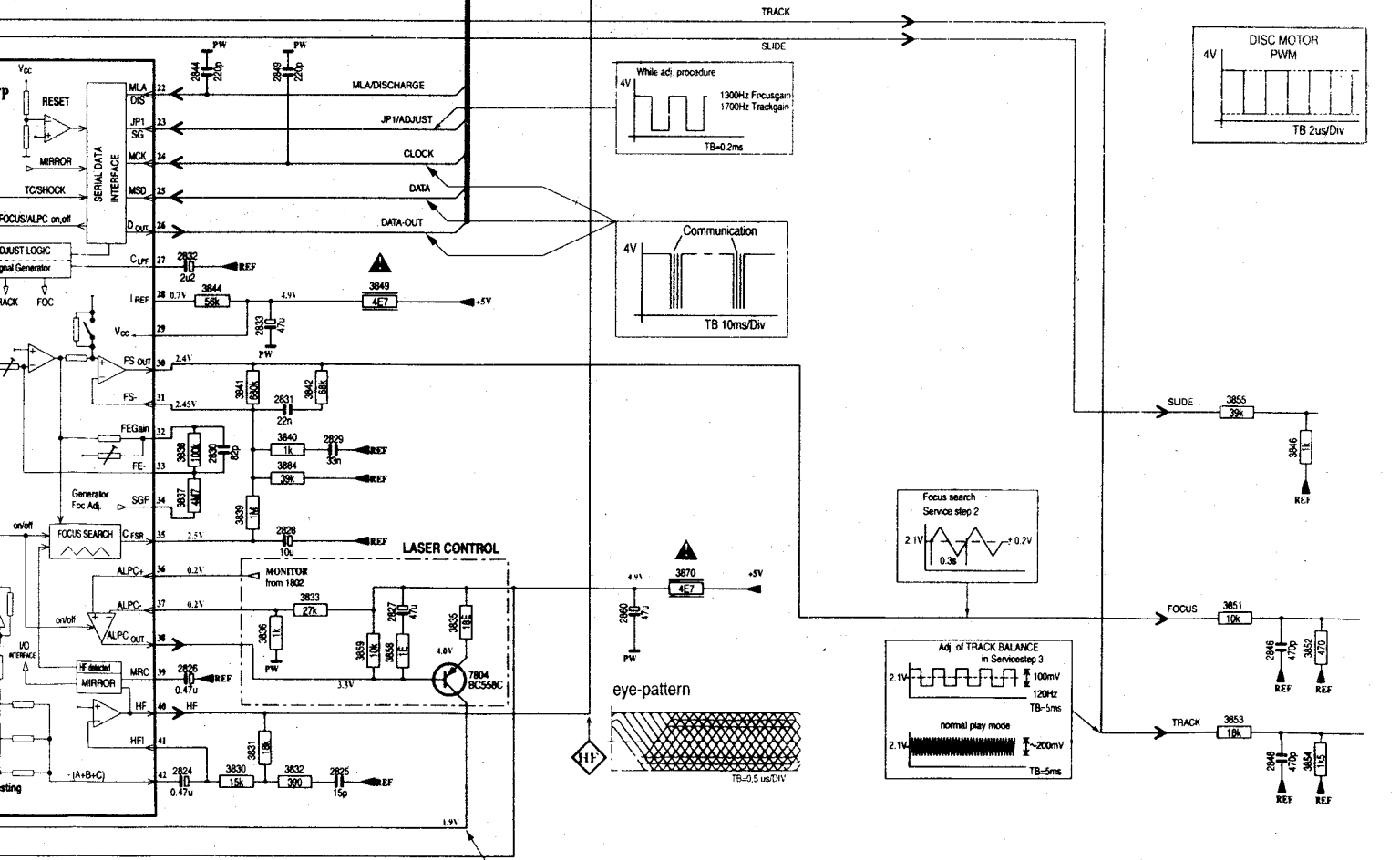
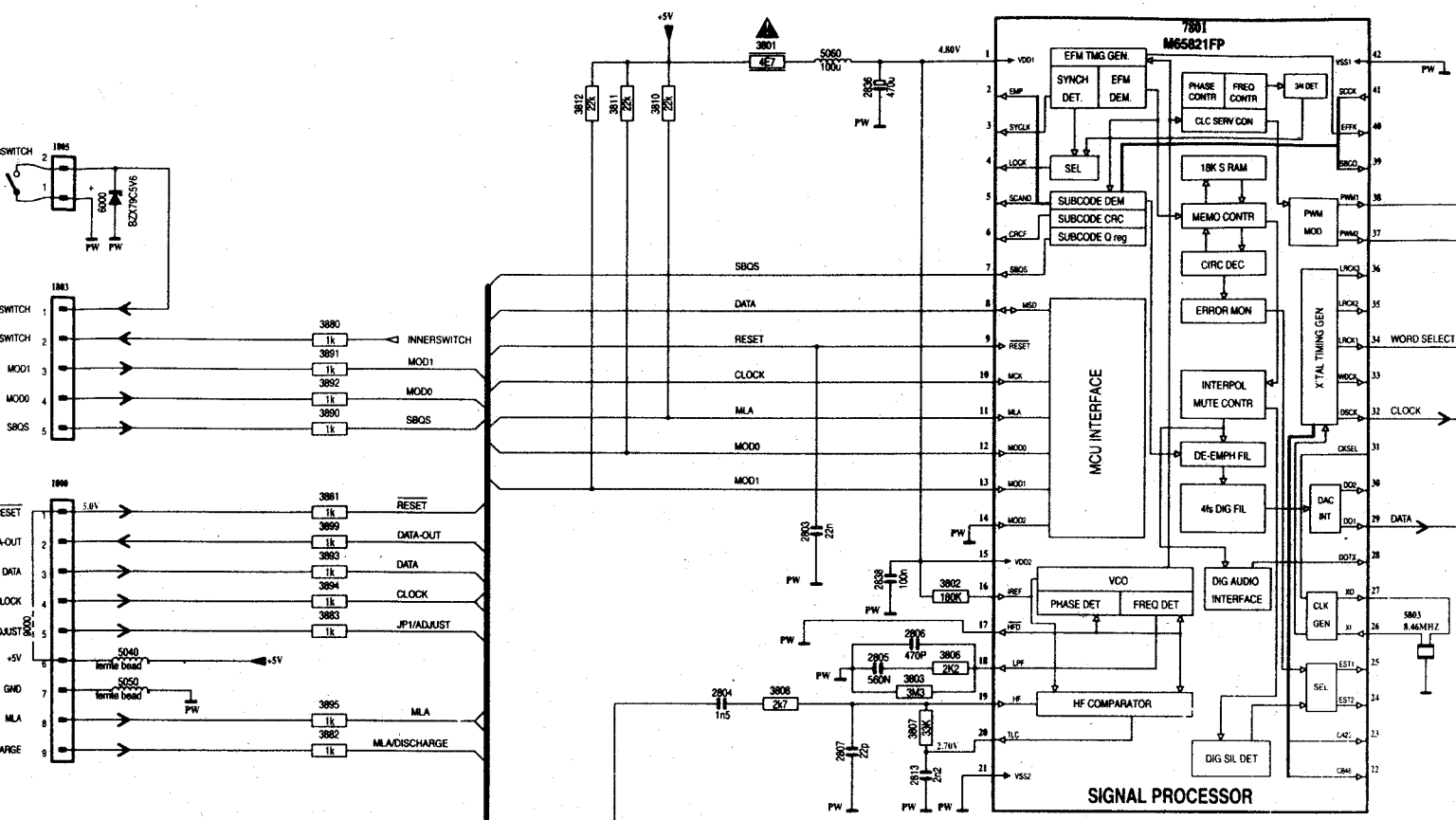


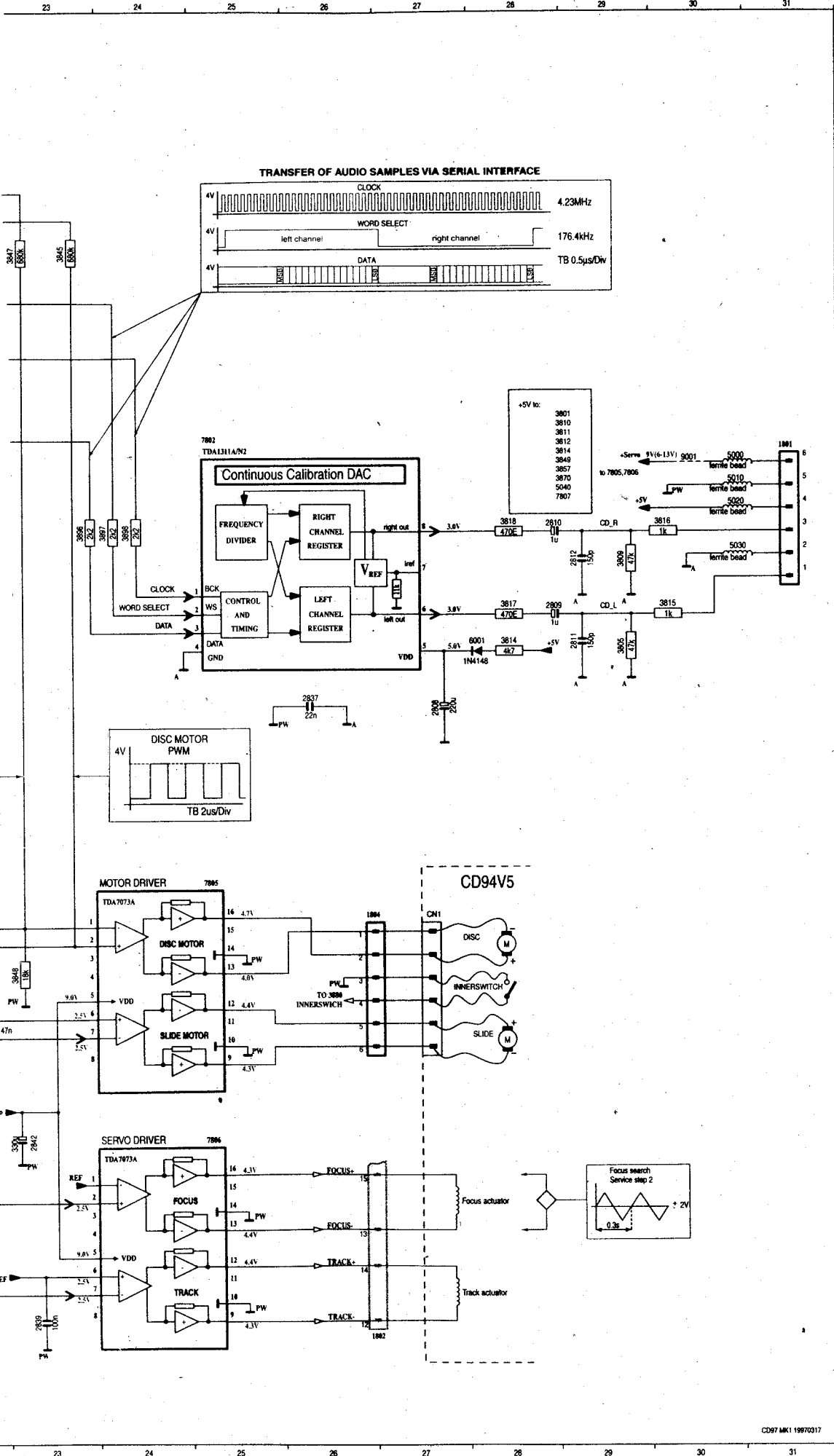
# CD97 - CIRCUIT DIAGRAM



## DISC-DRIVE CD94V5

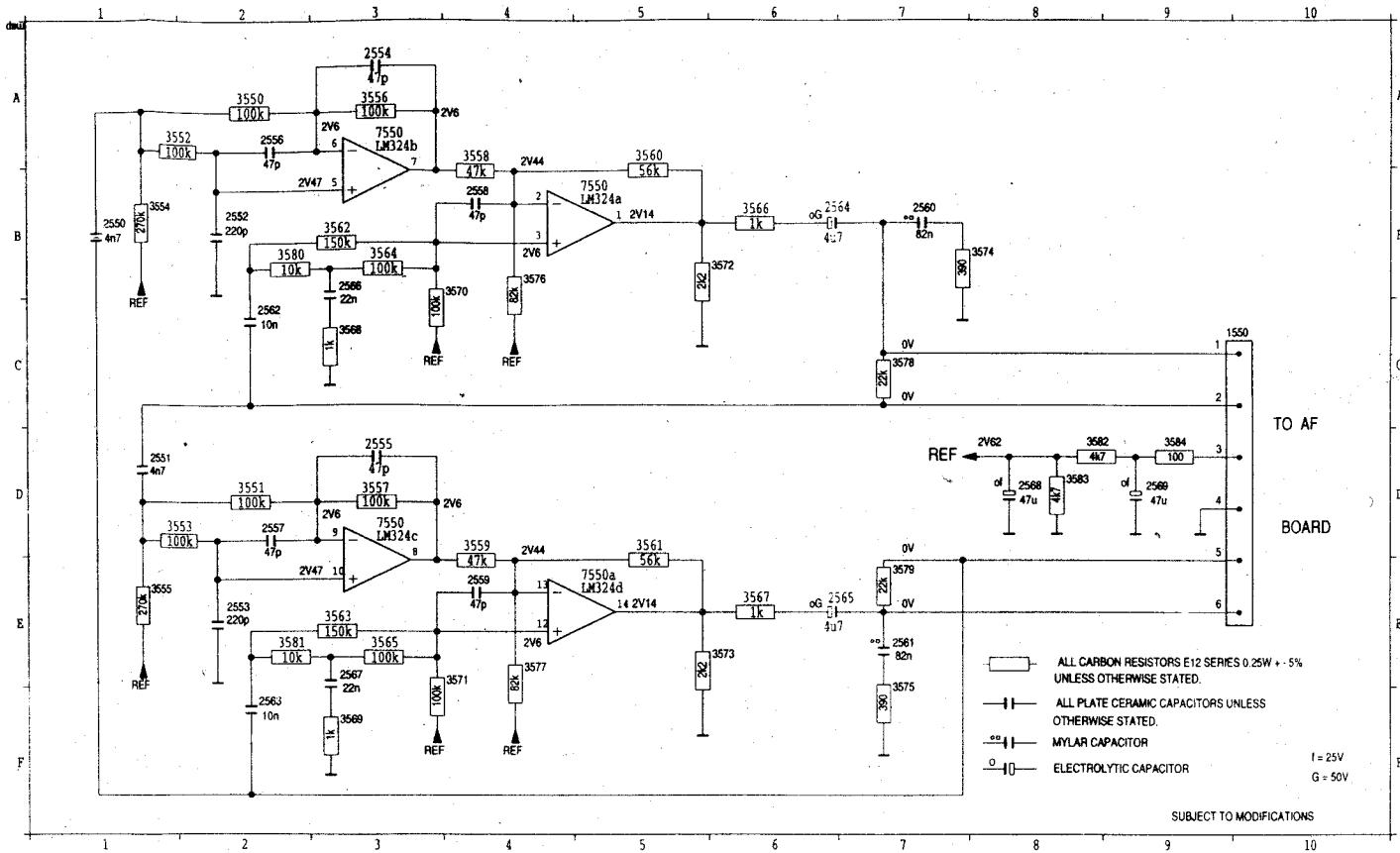






- 1300 E29
- 1800 E11
- 1801 F31
- 1802 Q 5
- 1803 D11
- 1804 K26
- 1805 D 8
- 2802 L22
- 2803 F17
- 2804 G16
- 2805 G18
- 2806 G18
- 2807 G17
- 2808 H27
- 2809 G28
- 2810 G28
- 2811 H29
- 2812 G29
- 2813 H18
- 2814 M 7
- 2815 L 6
- 2816 M 7
- 2817 L 7
- 2818 L 8
- 2819 L 7
- 2820 K 7
- 2821 J 7
- 2822 J 8
- 2823 J 8
- 2824 O12
- 2825 O13
- 2826 N12
- 2827 N14
- 2828 M13
- 2829 L13
- 2830 L12
- 2831 L13
- 2832 K12
- 2833 K13
- 2834 K22
- 2835 K22
- 2836 B18
- 2837 H26
- 2838 F18
- 2839 O23
- 2841 L 8
- 2842 M23
- 2843 M 7
- 2844 I12
- 2846 N21
- 2848 O21
- 2849 I13
- 2850 O14
- 2860 N16
- 2865 M 7
- 3801 B17
- 3802 F18
- 3803 G18
- 3805 H29
- 3806 G18
- 3807 H18
- 3808 G17
- 3809 G18
- 3810 B16
- 3811 B16
- 3812 B15
- 3815 G30
- 3816 G30
- 3817 G28
- 3818 G28
- 3819 N 8
- 3820 M 8
- 3821 M 8
- 3822 L 7
- 3823 L 8
- 3824 L 8
- 3826 K 8
- 3827 K 8
- 3828 J 8
- 3829 J 8
- 3830 O12
- 3831 O13
- 3832 O13
- 3833 N13
- 3835 N14
- 3836 N13
- 3837 M12
- 3838 L12
- 3839 M13
- 3840 L13
- 3841 L13
- 3842 L13
- 3844 K12
- 3845 D23
- 3846 L22
- 3847 D23
- 3848 K23
- 3849 K14
- 3850 M22
- 3851 N21
- 3852 N22
- 3853 O21
- 3854 O22
- 3855 L21
- 3856 K 8
- 3857 L 5
- 3858 N14
- 3859 N14
- 3860 M 8
- 3870 N16
- 3871 H28
- 3880 D13
- 3881 E13
- 3882 G13
- 3883 F13
- 3884 M13
- 3886 P 6
- 3888 M 8
- 3889 L 8
- 3890 E13
- 3891 D13
- 3892 D13
- 3893 F13
- 3894 F13
- 3895 G13
- 3896 G23
- 3897 G24
- 3898 G24
- 3899 F13
- 5000 F30
- 5010 F30
- 5020 F30
- 5030 G30
- 5040 G11
- 5050 G11
- 5060 A18
- 5803 F22
- 6000 E11
- 6001 H28
- 7801 A19
- 7802 F25
- 7803 I 9
- 7804 N14
- 7805 J25
- 7806 M25
- 9000 F10
- 9001 F29
- 9002 M 8

# INCREDIBLE SOUND BOARD - CIRCUIT DIAGRAM



1300 E29  
1800 E11  
1801 F31  
1802 Q 5  
1803 D11  
1804 K26  
1805 D 8  
2802 L22  
2803 F17  
2804 G16  
2805 G18  
2806 G18  
2807 G17  
2808 H27  
2809 G28  
2810 G28  
2811 H29  
2812 G29  
2813 H18  
2814 M 7  
2815 L 6  
2816 M 7  
2817 L 7  
2818 L 8  
2819 L 7  
2820 K 7  
2821 J 7  
2822 J 8  
2823 J 8  
2824 O12  
2825 O13  
2826 N12  
2827 N14  
2828 M13  
2829 L13  
2830 L12  
2831 L13  
2832 K12  
2833 K13  
2834 K22  
2835 K22  
2836 B18  
2837 H26  
2838 F18  
2839 Q23  
2841 O 8  
2842 M23  
2843 M 7  
2844 I12  
2846 N21  
2848 O21  
2849 I13  
2850 O14  
2860 N16  
2865 M 7  
2801 B17  
2802 F18  
2803 H18  
2805 H29  
2806 G18  
2807 G18  
2808 G17  
2809 G29  
2810 B16  
2811 B16  
2812 B15  
2815 G30  
2816 G30  
2817 G28  
2818 G28  
2819 N 8  
2820 M 8  
2821 M 8  
2822 7  
2823 L 8  
2824 L 8  
2826 K 8  
2827 K 8  
2829 J 8  
2829 J 8  
2830 O12  
2831 O13  
2832 O13  
2833 N13  
2835 N14  
2836 N13  
2837 M12  
2838 L12  
2839 M13  
2840 L13  
2841 L13  
2842 L13  
2844 K12  
2845 D23  
2846 L22  
2847 D23  
2848 K23  
2849 K14  
2850 M22  
2851 N21  
2852 N22  
2853 O21  
2854 O22  
2855 L21  
2856 K 8  
2857 L 5  
2858 N14  
2859 N14  
2860 M 8  
2870 N16  
2871 H28  
2880 D13  
2881 E13  
2882 G13  
2883 F13  
2884 M13  
2886 P 6  
2888 M 8  
2889 L 8  
2890 E13  
2891 D13  
2892 D13  
2893 F13  
2894 F13  
2895 G13  
2896 G23  
2897 G24  
2898 G24  
2899 F13  
5000 F30  
5010 F30  
5020 F30  
5030 G30  
5040 G11  
5050 G11  
5060 A18  
5803 F22  
6000 E11  
6001 H28  
7801 A19  
7802 F25  
7803 I 9  
7804 N14  
7805 J25  
7806 M25  
8000 F10  
9001 F29  
9002 M 8