

OC72 II

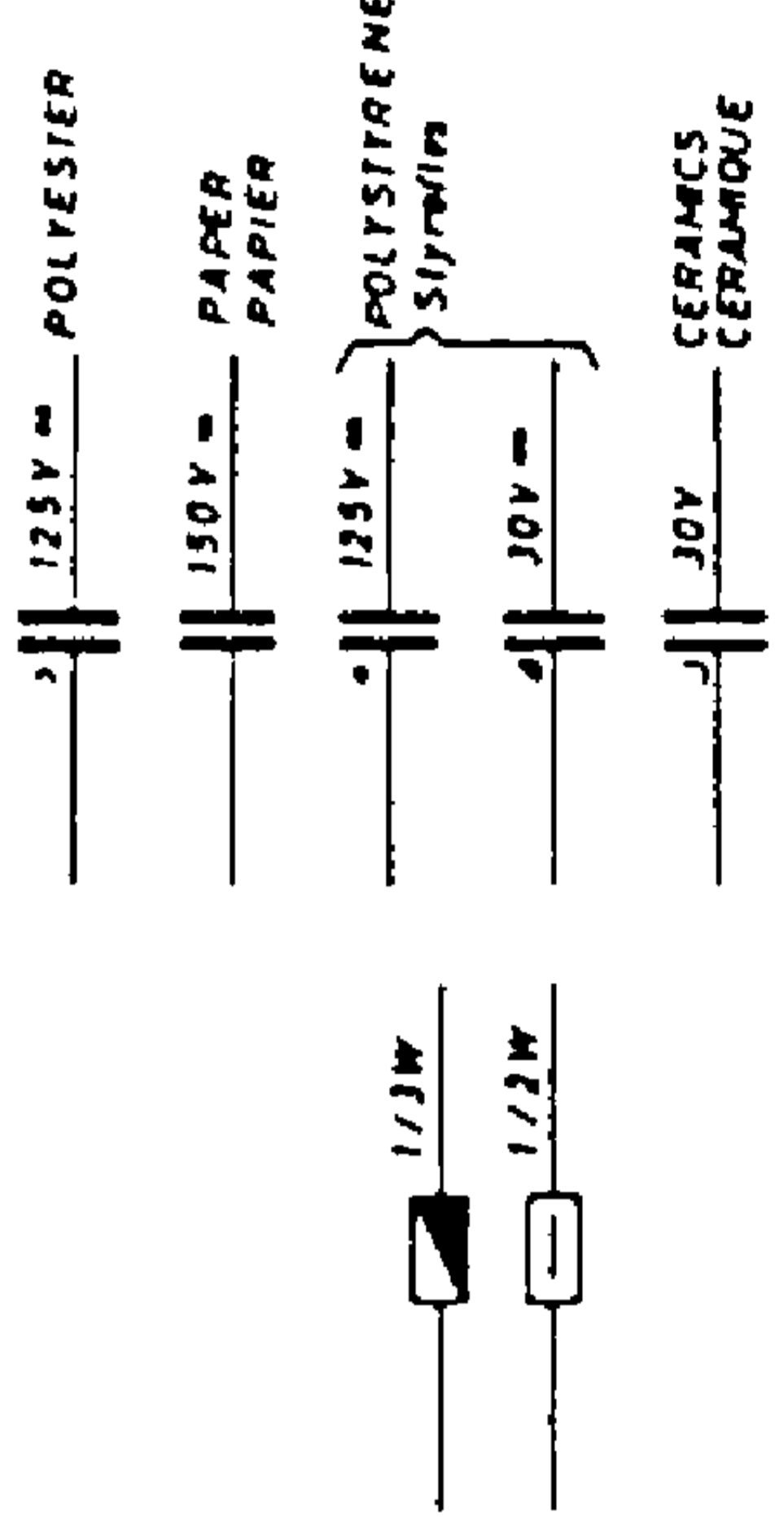
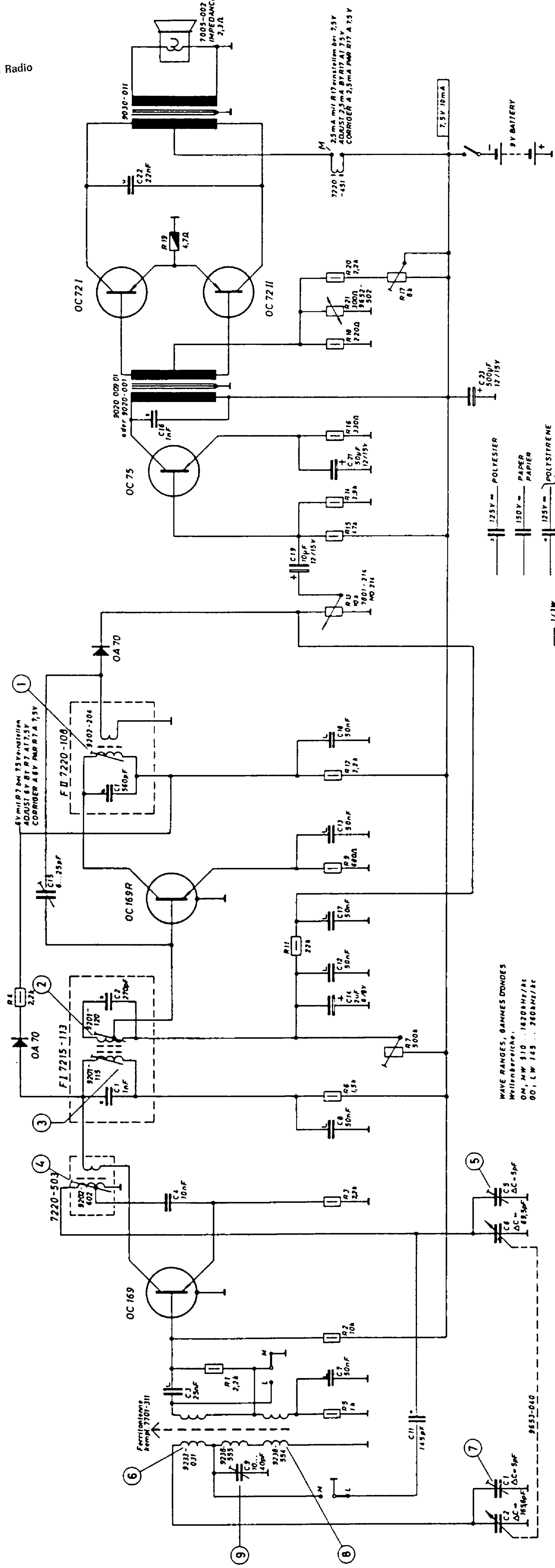
OC72 I

OC75

OC169R

OC169

COLLECTOR (C)=RED, ROUGE, ROT



WAVE RANGES, GAMMES D'ONDES  
Wellenbereiche:

OM, MW 510 ... 1620kHz/AC  
OO, LW 145 ... 260kHz/AC

COIL SET: 7220-503 IF=660kc  
BLOC BOBINAGE-7220-503 IF=660kc  
Spulensatz 7220-503 ZF=660kHz

# Transistor-Box 201