

# KV-1220DF



*Télévision en couleur SONY avec système TRINITRON  
Procédé entièrement nouveau pour la reproduction de la couleur*

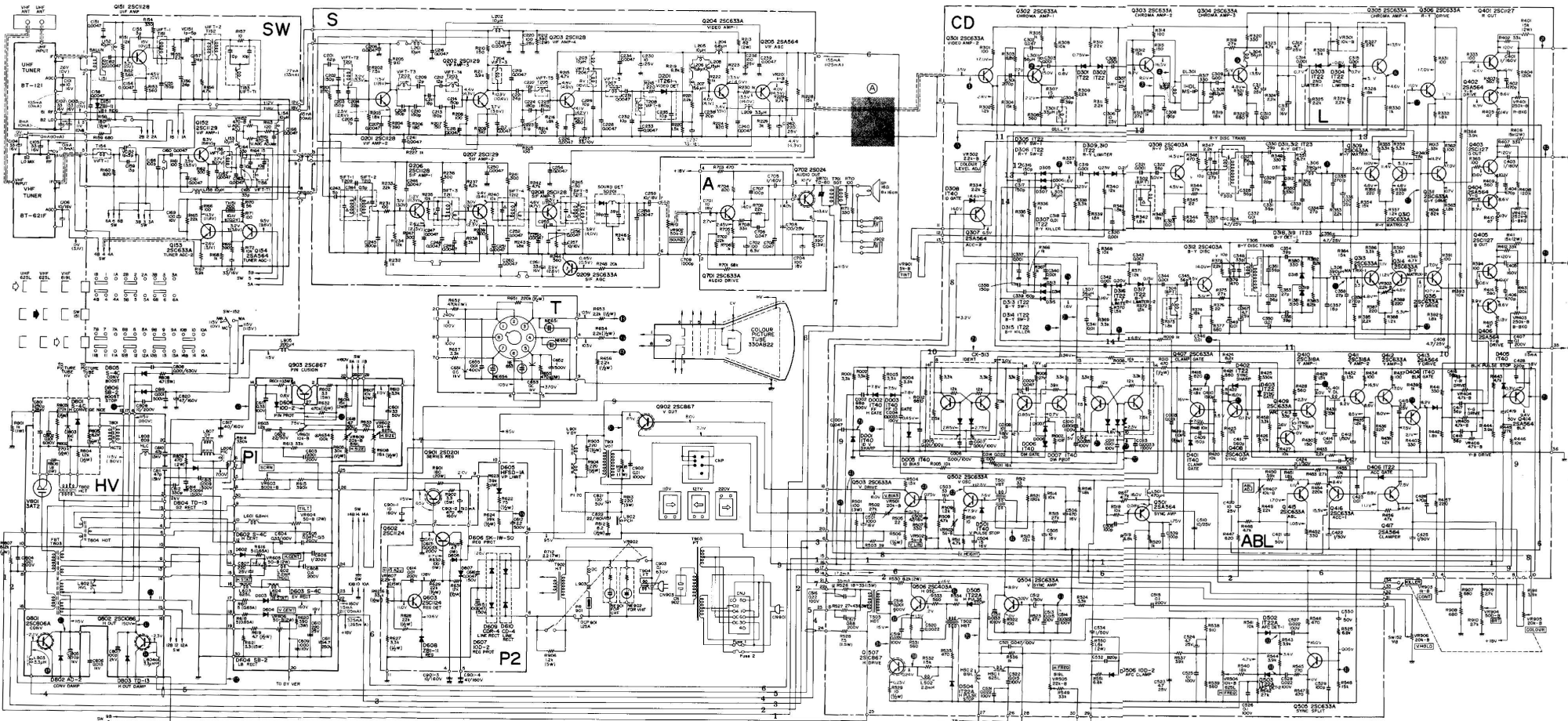
**SONY**



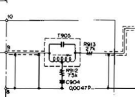
**KV-1220DF KV-1220DF**

**KV-1220DF**

**SCHEMATIC DIAGRAM**

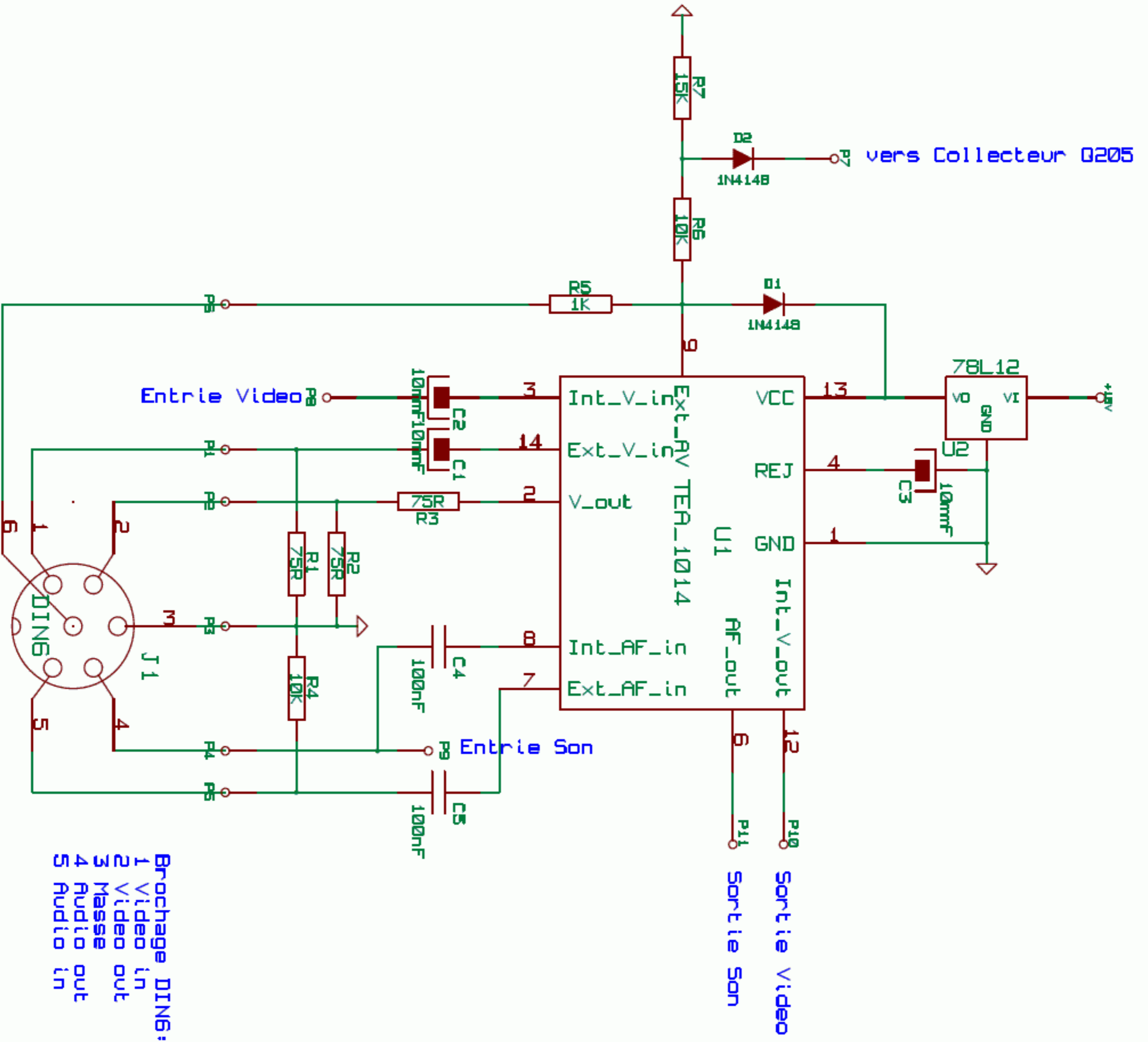


Serial No. 10501 and later



- T905 in
- R912 in
- R913 in
- C904 in

- Note:**
1. All capacitors are 50WV unless otherwise specified.
  2. All resistors are 1/4W unless otherwise specified.
  3. Resistance and capacitance values marked \* are to be selected to yield specified operating conditions.
  4. Voltages measured from chassis to point indicated with a VOM (20k ohm/V) with colour signal input.
  5. Design and specifications subject to change without notice.
  6. A marks show the internal components of transformers.



Brochage DIN6:  
 1 Video in  
 2 Video out  
 3 Masse  
 4 Audio out  
 5 Audio in