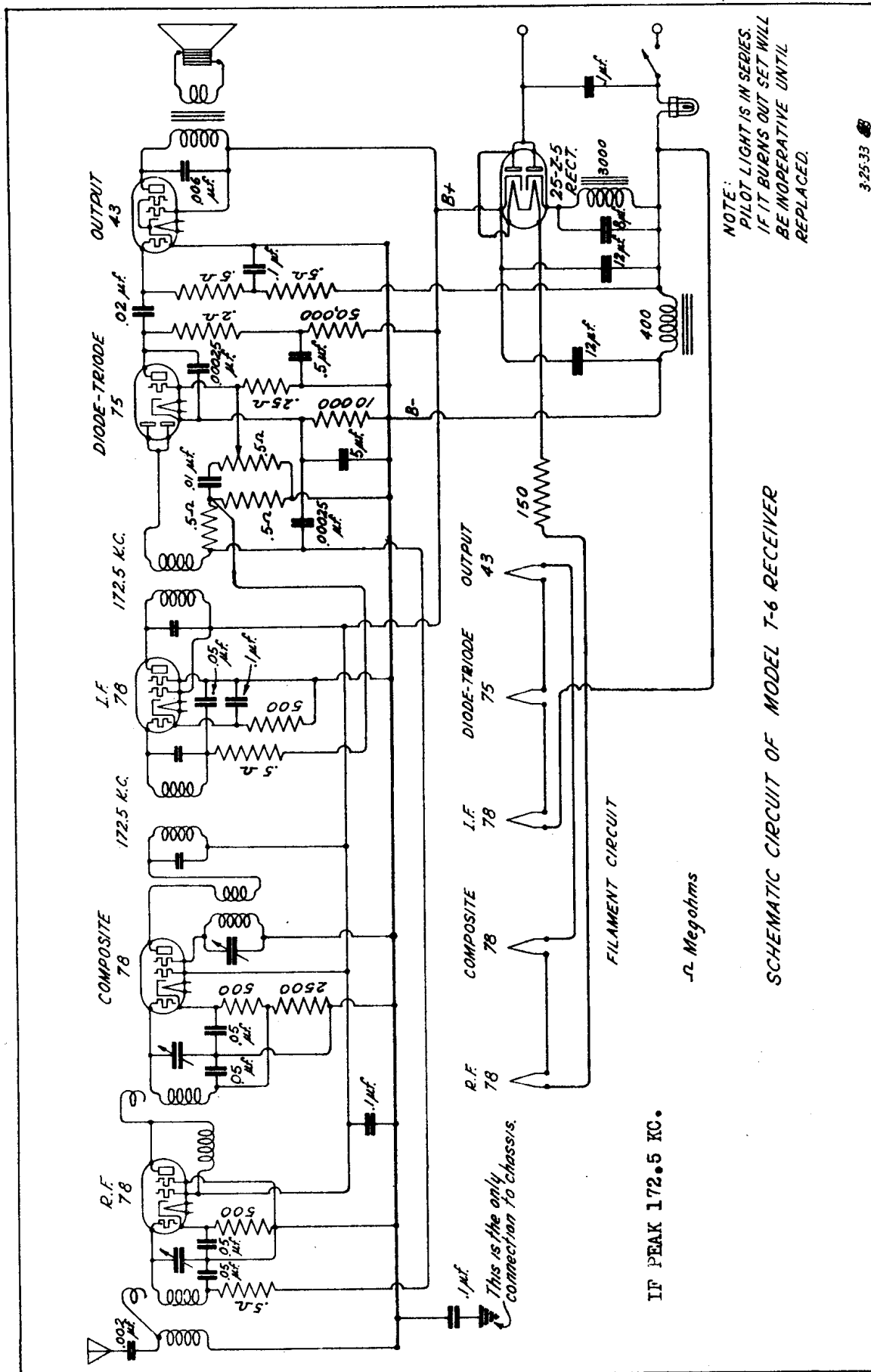


EMERSON RADIO AND PHONOGRAPH CORPORATION

MODEL 35 (T-6)
Schematic



NOTE:
PILOT LIGHT IS IN SERIES.
IF IT BURNS OUT SET WILL
BE INOPERATIVE UNTIL
REPLACED.

3-25-33

SCHEMATIC CIRCUIT OF MODEL T-6 RECEIVER

FILAMENT CIRCUIT

Ω- Megohms

IF PEAK 172.5 KC.