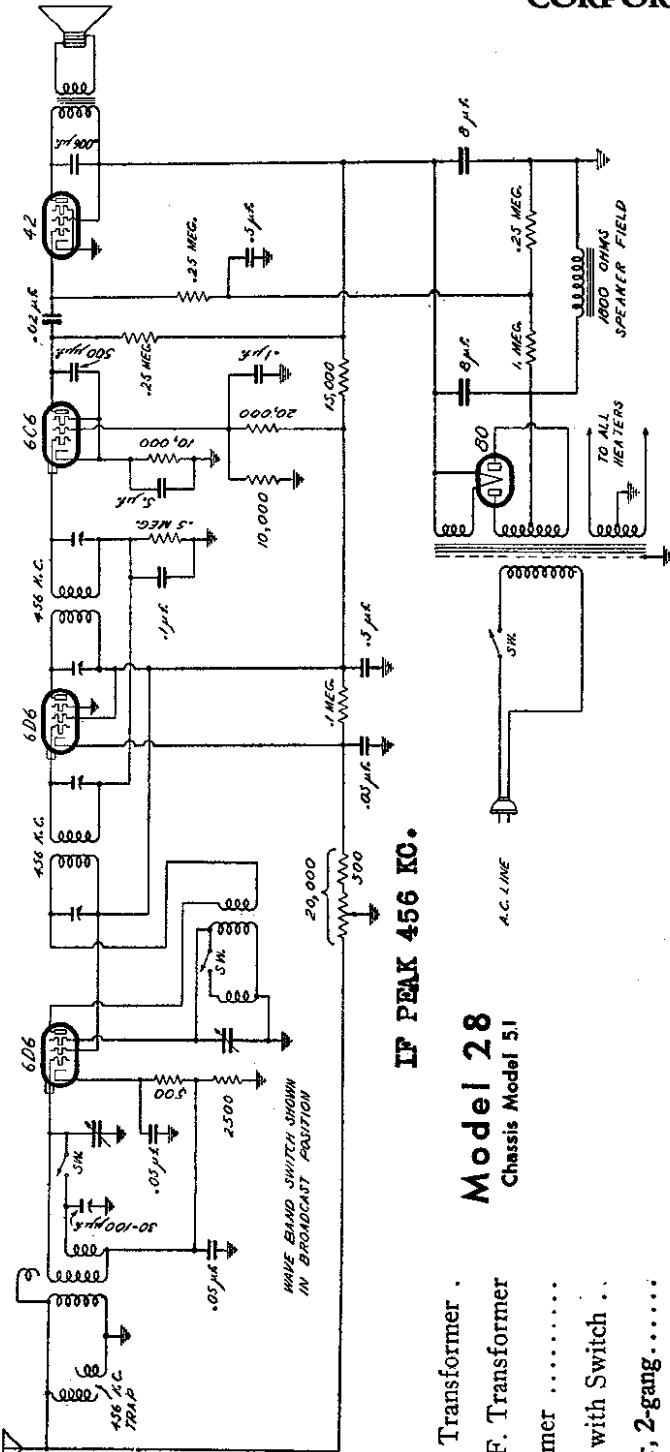


MODEL 28 (5-J)
Schematic, Voltage
Parts List

EMERSON RADIO AND PHONOGRAPH CORPORATION



IF PEAK 456 KO.

Model 28
 Chassis Model 51

- Broadcast**
 540—1500 Kilocycles
 550— 200 Meters
- Short Wave**
 1500—3000 Kilocycles
 200— 100 Meters

Part No. Description

- ST-62 Antenna Coil
- ST-63 Oscillator Coil
- DDT-120 First Stage I.F. Transformer
- DDT-121 Second Stage I.F. Transformer
- DDT-122 Power Transformer
- DDR-121 Volume Control with Switch
- UC-90 Variable Condenser, 2-gang
- UC-93 8x8 Mfd. Electrolytic Condenser
- IC-43 5 Mfd. Electrolytic Condenser
- EC-19 .5 Mfd. Roll-type Paper Condenser
- Any other Condenser, (specify capacity or location in circuit)
- UR-90 15,000-ohm 2-watt Resistor
- Any other Resistor, (give resistance or location in circuit)
- Any socket (specify tube no.)
- UD-10 Dial Assembly
- KL-6 Pilot Lamp
- DDS-78 Dynamic Speaker
- US-56 Short-wave to Broadcast change-over Switch
- SC-81 Adjustable Trimmer Condenser

Voltage Readings:

For the convenience of servicemen, the following voltage readings will serve as a guide in trouble shooting.

Readings are to be taken with all the tubes in their places, volume control turned on full and antenna wire grounded to chassis.

The D.C. Voltmeter used should be 1000 ohms per volt, or over. Line volts 117 A.C.

	Ground to Plate	Ground to Screen	Ground to Cathode	Ground to Suppressor
6D6 Osc. 1st Det.	6.3 A.C.	80 D.C.	80 D.C.	12 D.C.
6D6 L.F. Amplifier	6.3 A.C.	80 D.C.	80 D.C.	3 D.C.
6C6 2nd Det.	6.3 A.C.	150 D.C.	30 D.C.	1.7 D.C.
4Z5 Output	6.3 A.C.	245 D.C.	255 D.C.	
80 Rectifier	5.0			

Voltage across speaker field, 90.