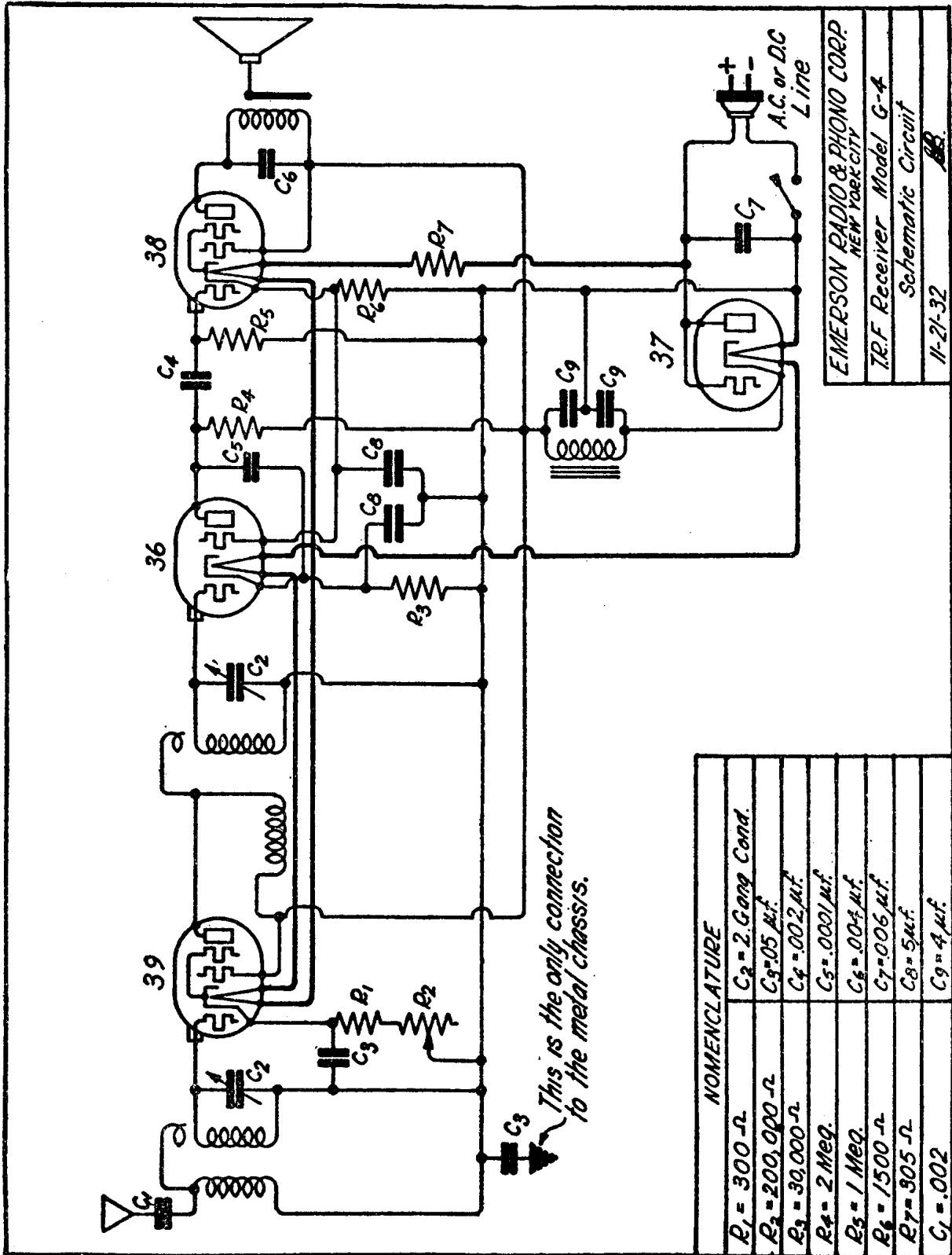


EMERSON RADIO AND PHONOGRAPH CORPORATION

MODEL 20-A, 25-A



EMERSON RADIO & PHONO CORP.  
NEW YORK CITY  
T.R.F Receiver Model G-4  
Schematic Circuit  
11-21-32

NOMENCLATURE	
$R_1 = 300 \Omega$	$C_2 = 2 \text{ Gorg Cond.}$
$R_2 = 200,000 \Omega$	$C_3 = 0.05 \mu\text{f.}$
$R_3 = 30,000 \Omega$	$C_4 = 0.002 \mu\text{f.}$
$R_4 = 2 \text{ Meg.}$	$C_5 = 0.002 \mu\text{f.}$
$R_5 = 1 \text{ Meg.}$	$C_6 = 0.004 \mu\text{f.}$
$R_6 = 1500 \Omega$	$C_7 = 0.06 \mu\text{f.}$
$R_7 = 305 \Omega$	$C_8 = 5 \mu\text{f.}$
$C_1 = 0.02$	$C_9 = 4 \mu\text{f.}$

Tube	Cathode	Screen	Plate
39	2.5	10.5	---
36	10.5	110.	110
38	10.5	110.	110

Volume control full on. Tuning dial set at 550 KC. Antenna outside of cabinet. \* Circuit structure interferes with accurate reading.