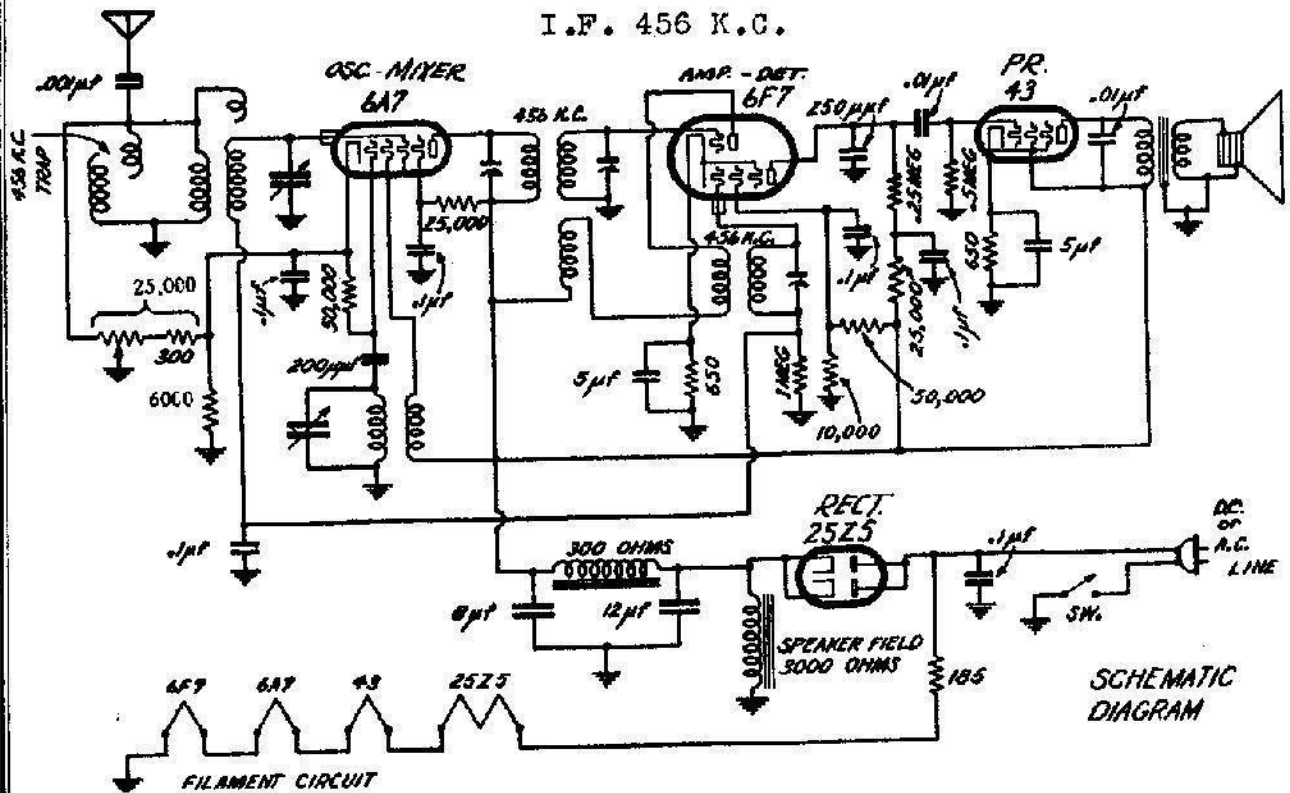


EMERSON RADIO AND PHONOGRAPH CORPORATION

I.F. 456 K.C.

MODEL 17
Chassis
Schematic
Voltage, Parts



CAUTION— UNDER NO CIRCUMSTANCE ALLOW A GROUND WIRE TO COME IN CONTACT WITH THE METAL PARTS OF THIS RECEIVER.

Voltage Readings:

Measurements should be made with the volume control on full, using a d-c voltmeter of 1000 ohms-per-volt. Measurements are given from the point indicated to ground, with an input power line voltage of 117.5 volts, 60 cycles.

	Plate	Screen	Cathode	Gas. Press.
6A7 Oscillator-mixer	105	53	1.5	100
6F7	Triode	105	2.5	—
	Pentode	50	2.5	—
43 Power pentode	95	100	14	—

Voltage across speaker field, 112 volts, d-c.

For operation on power line voltages other than 105 to 130 volts special ballast resistors may be secured.

REPLACEMENT PARTS

- KKT-184 Antenna Coil
- KKT-135 Oscillator Coil
- KKT-136 First i-f transformer assembly.
- KKT-137A Second i-f transformer assembly
- KKT-188 Iron-core filter choke
- KKR-134A Volume control
- KKC-142 Two-gang variable condenser
- KKC-143 12 and 8 mf dry electrolytic filter condenser
- KKC-145 Dual 5 mf, 25 volt, dry electrolytic by-pass condenser
- KS-38B 5" dynamic speaker
- KKW-46A 185 ohm, 17 watt, resistor line cord