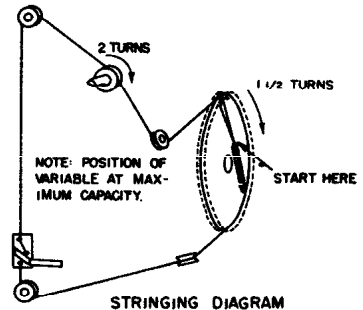
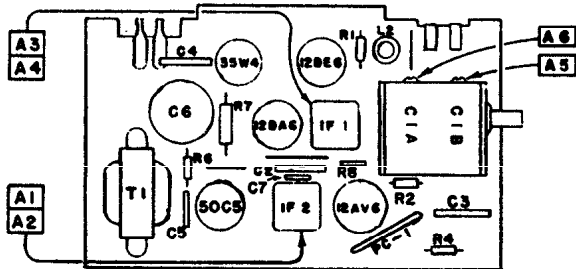


**Arvin INDUSTRIES, INC.**

Model 2563, Chassis 1.40300, and  
Model 2564, Chassis 1.40400

Also sold as Sears, Roebuck Chassis 132.39900, Models 7006, 7007



**ALIGNMENT PROCEDURE**

- Output meter connection ..... Across speaker voice coil
- Connection of generator ground lead ..... Floating ground
- Position of volume control ..... Fully clockwise

Position of Variable	Frequency of Generator	Dummy Antenna	Generator Output Connection	Trimmers Adjusted in order Shown for Maximum Output	Functions of Trimmer
Open	455	.05 $\mu$ f	Pin 7 12BE6	A1, A2, A3, A4	I. F.
Open	1670		* Test Loop	A5	Oscillator
1400	1400		* Test Loop	A6	Antenna
600	600		* Test Loop	Check Point	

\* Standard Hazeltine Test Loop Model 1150 or 3 turns of wire about 6" in diameter placed about one foot from the set loop.

The alignment procedure should be repeated in the original order for greatest accuracy. Always keep the output from the signal generator at its lowest possible value to make the AVC action of the receiver ineffective.

