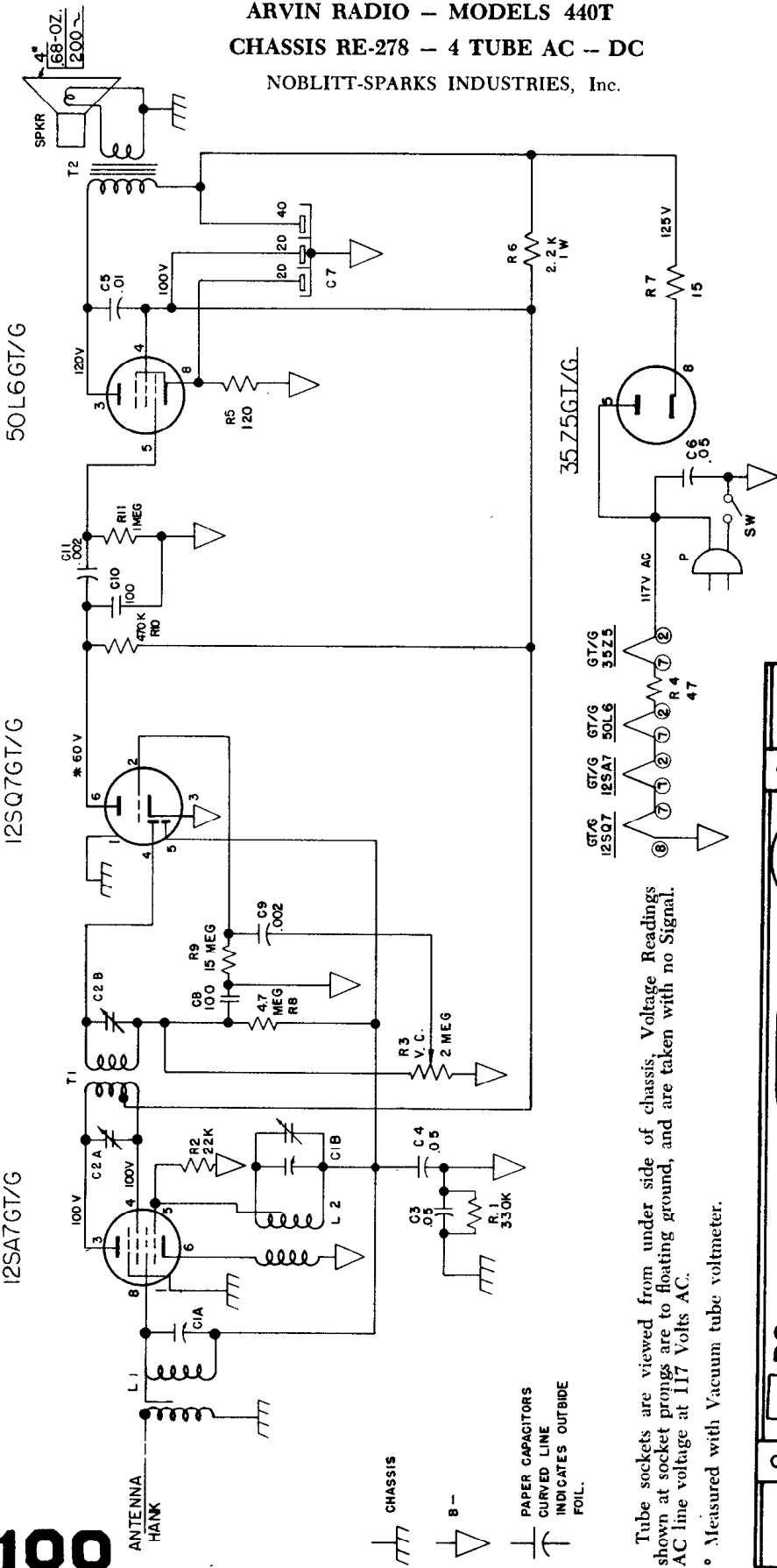


MANUAL OF 1950 MOST-OFTEN-NEEDED RADIO DIAGRAMS

ARVIN RADIO - MODELS 440T
 CHASSIS RE-278 - 4 TUBE AC - DC
 NOBLITT-SPARKS INDUSTRIES, Inc.



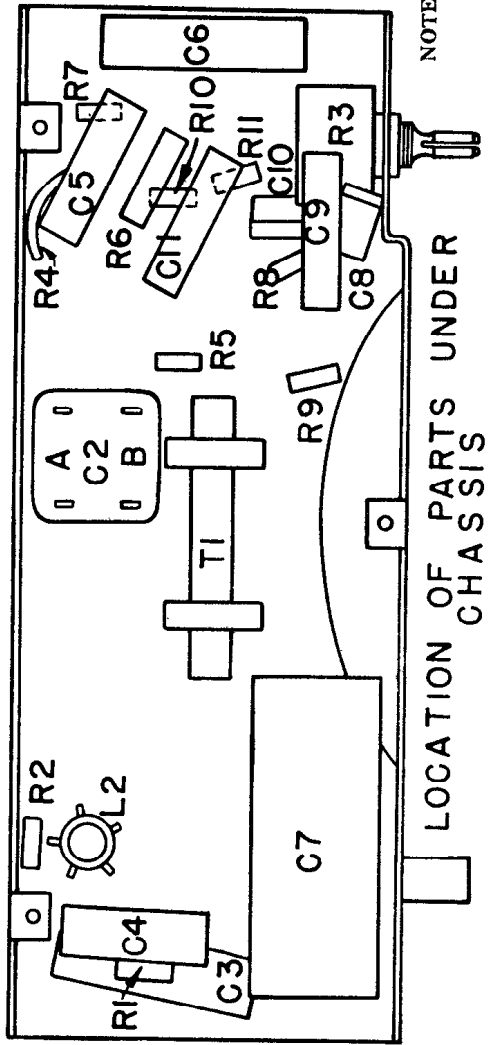
FREQUENCY RANGE
 Broadcast ----- 540-1600 kc
 IF ----- 455 kc

TUBES AND FUNCTIONS
 12SA7 ----- Mixer-oscillator
 12SQ7 ----- Detector - AVC-AF-Output
 50L6GT ----- Rectifier
 35Z5GT ----- Rectifier

POWER SUPPLY
 105-125 Volts, AC-DC, 30 Watts

POWER OUTPUT
 Type: Beam tube
 Undistorted ----- 1 Watt
 Maximum ----- 1.85 Watts
 Plate Load ----- 2000 Ohms

NOTE: Capacity Coupling is built in the antenna and oscillator coils. On some early Production sets, A 14 uuf. mica. Condenser will be used in place of the built in Capacity on the Antenna Coil.



NOTE: LOCATION OF PARTS UNDER CHASSIS

Tube sockets are viewed from under side of chassis. Voltage Readings shown at socket prongs are to floating ground, and are taken with no signal. AC line voltage at 117 Volts AC.
 ° Measured with Vacuum tube voltmeter.