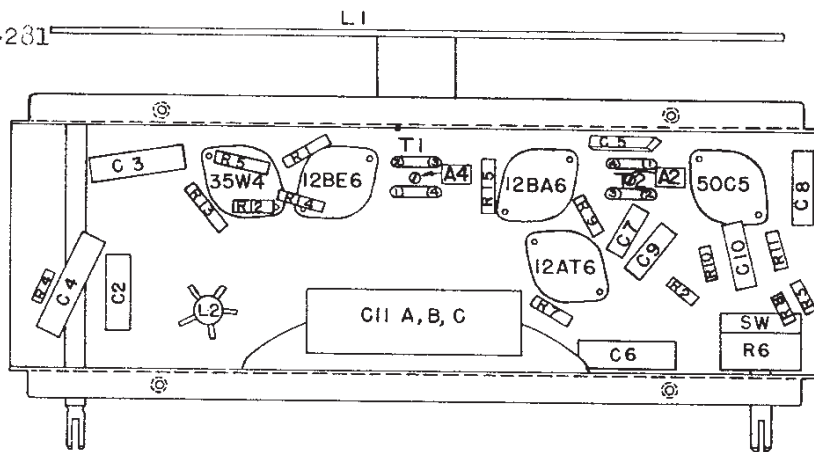
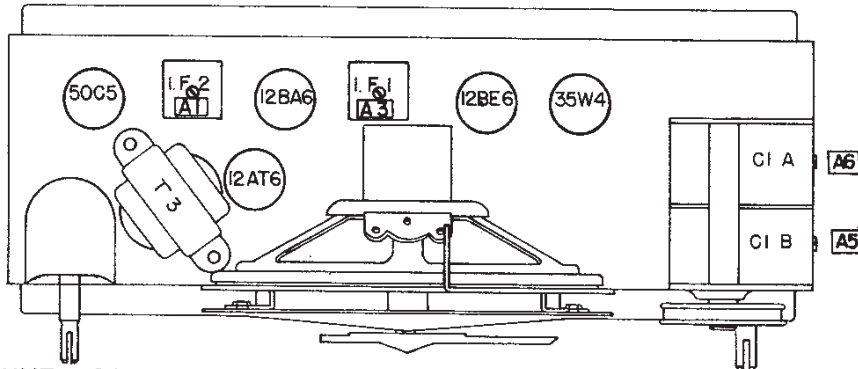


MODELS 450T,  
451T, Ch. RE-231



LOCATION OF PARTS UNDER CHASSIS

TUBE LAYOUT



VOLUME CONTROL  
& SWITCH

TUNING

LOCATION OF TUBES AND TRIMMERS  
PARTS LIST — 450T-451T

REF. NO.	PART NO.	DESCRIPTION	REF. NO.	PART NO.	DESCRIPTION
L1	D23465	Antenna Loop and Rear Cover		B20138-16	Line Cord
	B23456	Antenna Loop Mounting Bracket		C23461	Pointer
	AE23499-1	Cabinet Assy., 450T Ivory	R1	C20060-223	Resistor, 22k 1/4 watt 20%
	AE23499-2	Cabinet Assy., 450T Walnut	R2	C20060-225	Resistor, 2.2 Meg. 1/4 watt 20%
	AE23499-3	Cabinet Assy., 451T Deluxe Ivory	R3	C20060-471	Resistor, 470 1/4 watt 20%
	AE23499-4	Cabinet Assy., 451T Deluxe Willow Green	R4	C20060-334	Resistor, 330K 1/4 watt 20%
	AE23499-5	Cabinet Assy., 451T Deluxe Sandalwood	R5	C20060-151	Resistor, 150 1/4 watt 20%
	AE23499-6	Cabinet Assy., 451T Deluxe Ebony	R6	C23468	Volume Control, 1 Meg. 1/4 watt 20%
	A23474	Carton with fillers	R7	C20060-475	Resistor, 4.7 Meg. 1/4 watt 20%
L2	AC22865-1	Coil, Oscillator	R8	C20060-222	Resistor, 2200 1/4 watt 20%
C1 A, B	C23469	Variable Condenser	R9, R10	C20060-474	Resistor, 470K 1/4 watt 20%
C2, C10	C20067-503	Condenser, Paper Tubular .05 mf. 200 V	R11	C20120-121	Resistor, 120 1/4 watt 10%
C3, C4	C20068-503	Condenser, Paper Tubular .05 mf. 400 V	R12	C20060-150	Resistor, 15 1/4 watt 20%
C5	C20065-251	Condenser, Mica 250 mmf. 500 V	R13	C20070-121	Resistor, 120 1 watt 10%
C6, C7, C8	C20068-103	Condenser, Paper Tubular .01 mf. 400 V	R14	C20070-122	Resistor, 1200 1 watt 10%
C9, C12	C20069-501	Condenser, Paper Tubular .0005 mf. 600 V	R15	C20060-470	Resistor, 47 1/4 watt 20%
C11	C23470	Condenser, Electrolytic 20-40-20 150 V		A20243-1	Socket, Wafer, Plain
	A19351	Dial Light Bulb Mazda No. 47		A20243-3	Socket, Wafer, Center Pin Shielded
	A19628-3	Dial Light Socket	SPK	C23467	Speaker, 5" PM
	A23453-1	Knob, Clear		C23462-1	Speaker, Grill
	A23453-2	Knob, Ivory	A23982	Speaker Brkt & Pointer Shaft	
			T1, T2	C21797-16	Transformer, I. F.
				A21792	Transformer, I. F. Spring Clips 5 for
			T3	AC23464-1	Transformer, Output
				A23475	Tuning Shaft
				A19361	Tuning Shaft hair pin Clip

© John F. Rider