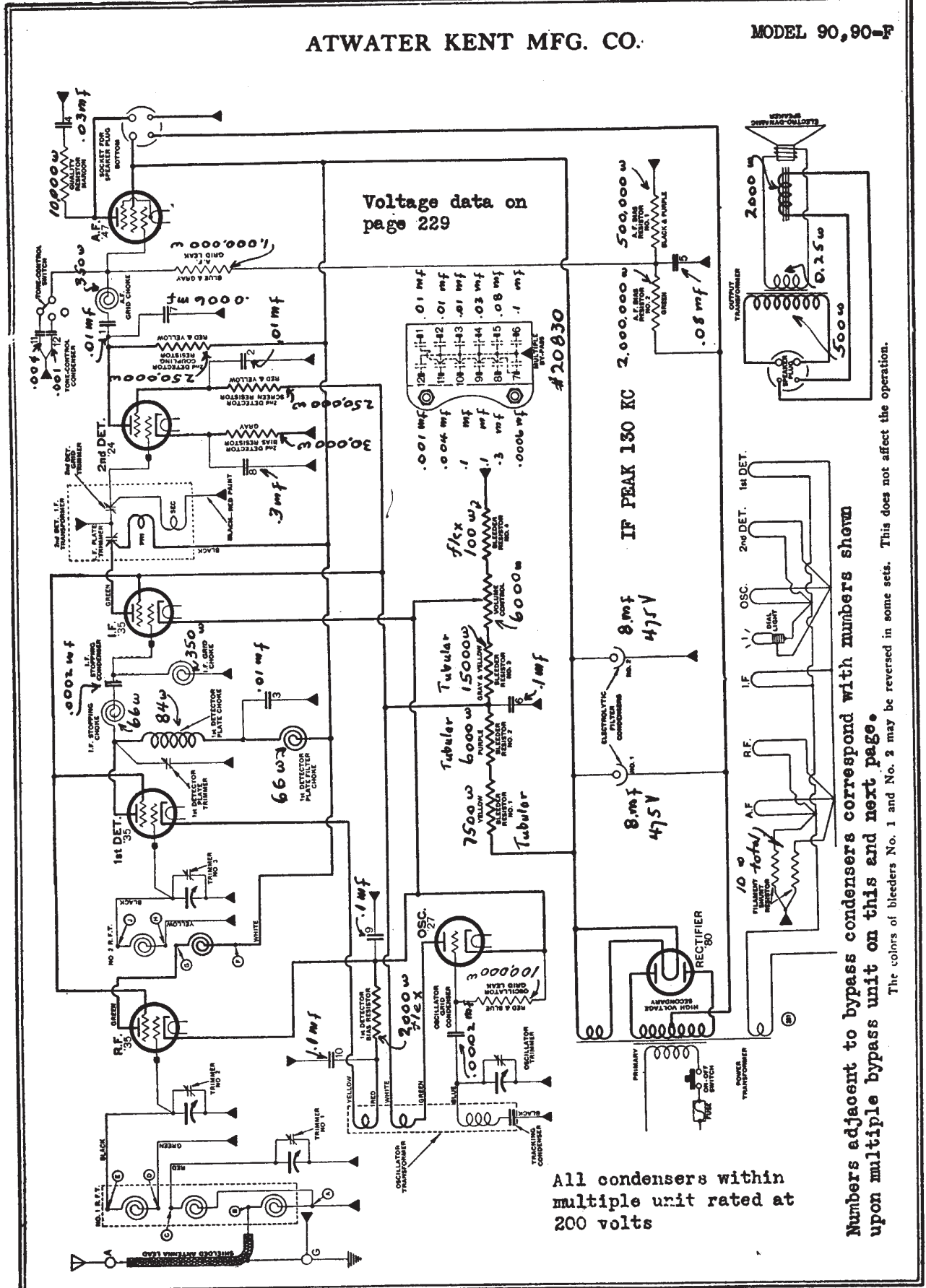


ATWATER KENT MFG. CO.

MODEL 90,90-F



Voltage reference page 8-88.