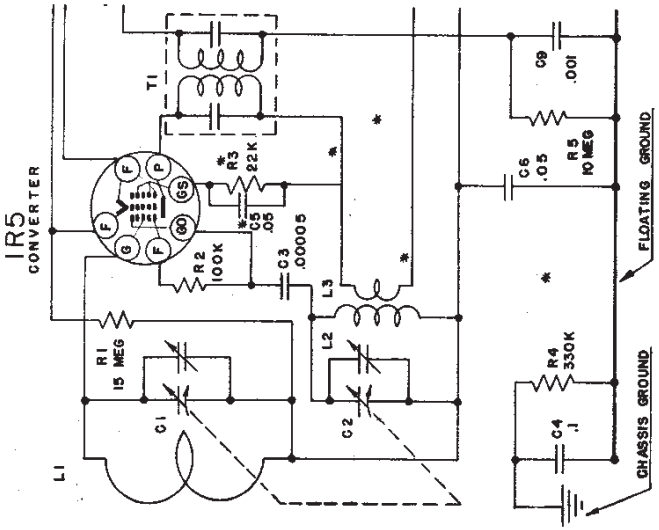


PARTS LIST

REF. NO.	PART NO.	DESCRIPTION	REF. NO.	PART NO.	DESCRIPTION
R1	C20060-156	Resistor, 15 megohm 1/4 W	E21155	Cabinet top cover assy.	
R2	C20060-104	Resistor, 100,000 ohms 1/4 W	AD21338-1	Cabinet bottom cover assy.	
R3	C20060-223	Resistor, 22,000 ohm 1/4W	AC21460-1	Cabinet front cover and grille assy. (includes 3 mtg. eyelets, grille cloth, 1 spkr baffle).	
R4, R9	C20060-334	Resistor, 330,000 ohms 1/4 W	AC21459-1	Rear door assy (includes rear door, rear door mtg. brkt., rear door shaft, torque spring, grille cloth, 2 lugs, 6 eyelets).	
R5, R18	C20060-106	Resistor, 10 megohm 1/4 W	D21207	Battery cradle	
R6	C20060-335	Resistor, 3.3 megohm 1/4 W	D21143	Chassis bottom cover	
R7	C20060-473	Resistor, 47,000 ohms 1/4 W	AD21456-1	Cabinet wrap-around assy (includes wrap-around, top insert, cabinet front cover, grille assy, & rear door assy).	
R8	C21050	Volume Control and Switch 1 M	E21131	Cabinet wrap-around Handle	
R10, R11	C20060-475	Resistor, 4.7 megohm 1/4 W	C21189	Control knob	
R12	C20060-225	Resistor, 2.2 megohm 1/4 W	A21190	Dial crystal	
R13	C20070-470	Resistor, 47 ohm 1 W	A21183	Handle mtg. "U" stud	
R14, R15	A21348	Resistor, 1750 ohm 1 W	A21209	Grille cloth, spkr grille	
R16	C20070-182	Resistor, 1800 ohm 1 W	A21341	Grille cloth, rear door	
R17	C20060-681	Resistor, 680 ohm 1/4 W	C21364	Speaker baffle	
R19, R20	C20060-102	Resistor, 1000 ohm 1/4 W	C21136	Battery pack	
R21	C20060-685	Resistor, 6.8 megohm 1/4 W	A21211	Carton, complete with fillers	
C1, C2	C19822	Variable Cond.-2 gang. Include 1 A20077-3 grommet and 1 spacer eyelet.	A21060	Battery plug	
		or	D21148	Dial scale	
			C21146	Battery scale	
			A19361	Dial pointer	
			A19132	Tuning shaft	
			A19295	Hairpin clip	
			A21943	Dial drive cord	
			A21944	Tube, shield	
			A21345	Tube shield base	
			E21123-2	Tube retainer spring	
			A19344-1	Idle pulley	
			A19205-4	Clip, electrolytic mtg.	
			A16695	Idle pulley stud	
			A21358	Cam	
			A21947	Spring, ON-OFF indicator	
			A19139	Terminal strip, single	
			A19138-1	Spacer eyelet (mtg. either variable condenser)	
			A20077-3	Grommet (mtg. either variable cond)	
			A19328-2	Grommet (for mtg. variable condenser C21153).	
			A21346-1	Socket, dial light with leads	
C3	C20065-500	Variable Cond.-2 gang. Include 2-A 19328-2 grommet			
C4	C20068-104	Cond., .00005 uf 500V Mica			
C5,6,7,13	C20068-503	Cond., .1 uf 400 VPT.			
C8	C20068-103	Cond., .05 uf 400 VPT.			
C8,11,14	C20065-102	Cond., .01 uf 400 VPT.			
C12	C20065-251	Cond., .001 uf 500V Mica			
C12	C20065-202	Cond., .002 uf 600 VPT.			
C17A	A21163	Electrolytic condenser, 15, 40, 10 uf, 150V			
C17B, C17C	A21164	Electrolytic cond. 100uf 10V.			
C18	C20068-503	Cond., .05 uf 400 VPT.			
C19	AC21054-1	Antenna loop assembly			
L1	AC21055-1	Oscillator coil assy.			
L2, L3, L4	AC21052-1	Hash filter			
L4	AC21053-1	1st I. F. coil			
T1	AC21057-1	2nd I. F. coil			
T2	AC21056-1	Output transformer			
T3	A21172	Battery plug and cable assy.			
C	B20169-1	Dial light bulb - Mazda No. 49			
L	C21113	Line cord and plug assy.			
L	B20169-1	Speaker			
Spk	A21032-1	Socket, tube, miniature, wafer			
	A21032-2	Socket, tube, miniature, wafer, center pin shielded			

OSCILLATOR CIRCUIT CHANGE  
USED ON SETS BUILT AFTER JUNE 1947 TO INCREASE SENSITIVITY.



\* INDICATES POINTS WHERE CHANGES WERE MADE.  
1. C5 AND R3 RELOCATED IN SCREEN GRID CIRCUIT, 2. PLATE CURRENT OF CONVERTER TUBE PASSES THROUGH L3.