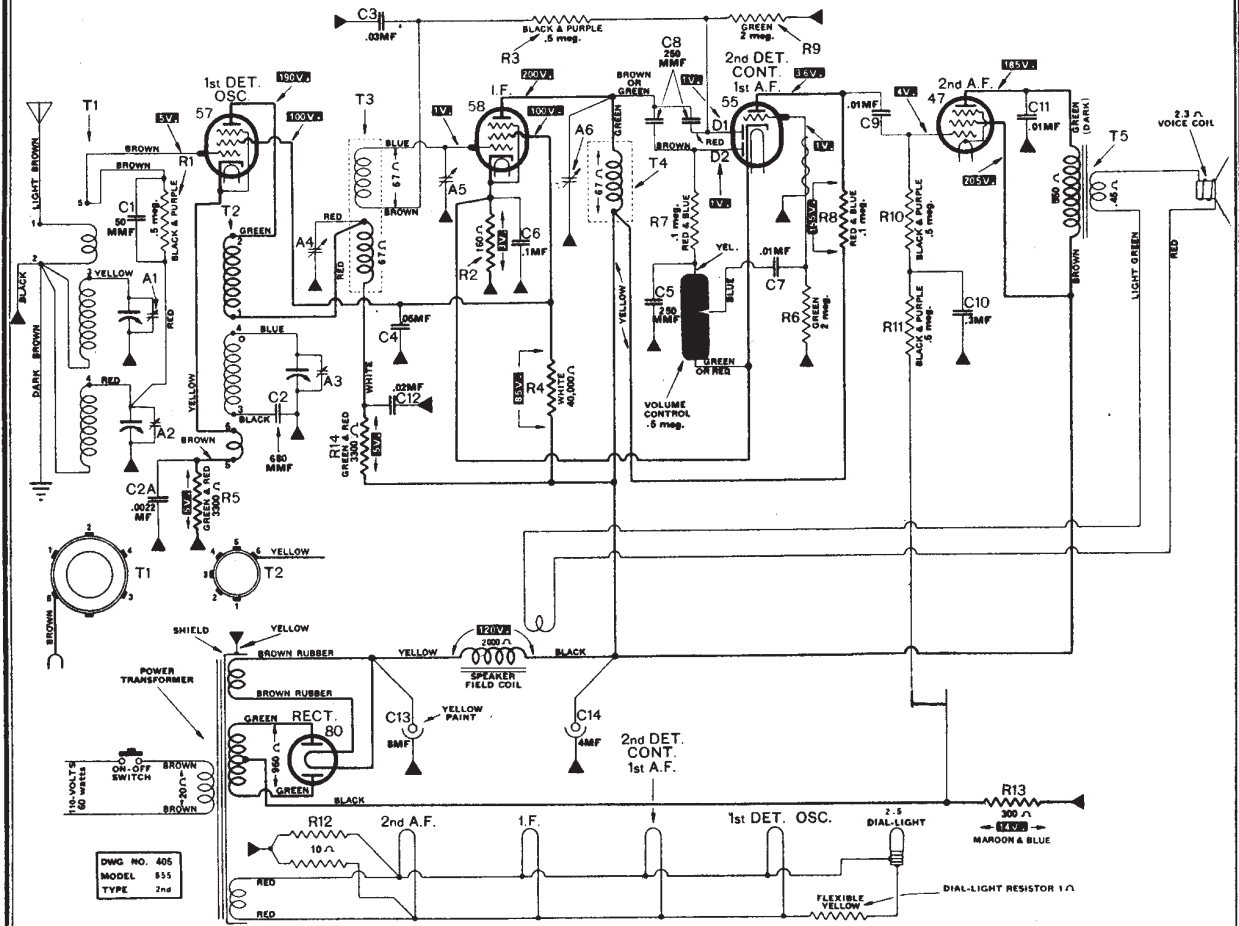


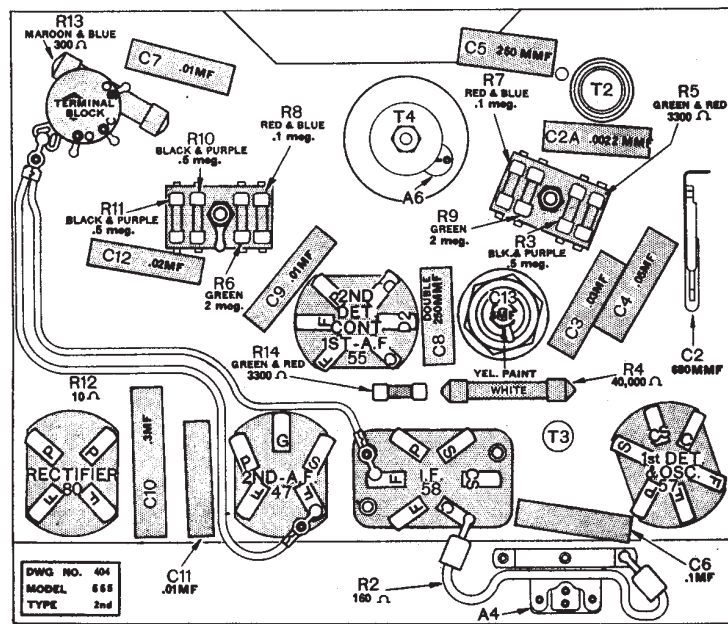
ATWATER KENT MFG. CO.

MODEL 555 (2nd type)
Above serial 5063260
Schematic, voltage



DWG NO. 405
MODEL 555
TYPE 2nd

IF PEAK 262.5 KC.



DWG NO. 404
MODEL 555
TYPE 2nd

