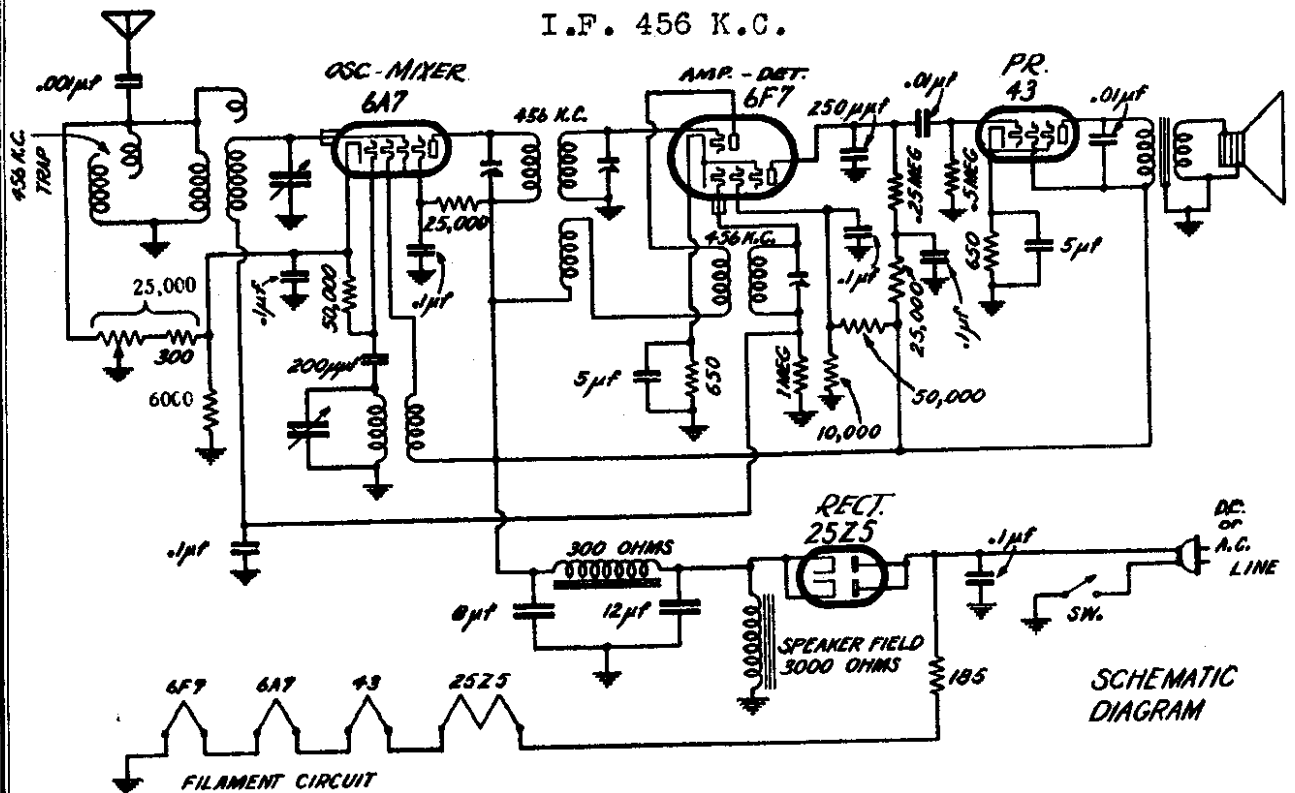


EMERSON RADIO AND PHONOGRAPH CORPORATION

I.F. 456 K.C.

MODEL 19
Chassis UV4
Schematic
Voltage, Parts



CAUTION—UNDER NO CIRCUMSTANCE ALLOW A GROUND WIRE TO COME IN CONTACT WITH THE METAL PARTS OF THIS RECEIVER.

Voltage Readings:

Measurements should be made with the volume control on full, using a d-c voltmeter of 1000 ohms-per-volt. Measurements are given from the point indicated to ground, with an input power line voltage of 117.5 volts, 60 cycles.

	Plate	Screen	Cathode	Sec. Plate
6A7 Oscillator-mixer	105	53	1.5	100
6F7	105	—	2.5	—
	50	15	2.5	—
43 Power pentode	95	100	14	—

Voltage across speaker field, 112 volts, d-c.

For operation on power line voltages other than 105 to 130 volts special ballast resistors may be secured.

REPLACEMENT PARTS

- | | |
|--|--|
| KKT-134 Antenna Coil | KKC-142 Two-gang variable condenser..... |
| KKT-135 Oscillator Coil | KKC-143 12 and 8 mf dry electrolytic filter condenser |
| KKT-136 First i-f transformer assembly. | KKC-145 Dual 5 mf, 25 volt, dry electrolytic by-pass condenser |
| KKT-137A Second i-f transformer assembly | KS-38B 5" dynamic speaker..... |
| KKT-138 Iron-core filter choke..... | KKW-46A 185 ohm, 17 watt, resistor line cord.... |