

MODEL 30 AW, 33 AW,
250 AW, 321 AW,
350 AW

EMERSON RADIO AND PHONOGRAPH
CORPORATION

Schematic, Voltage,
Socket

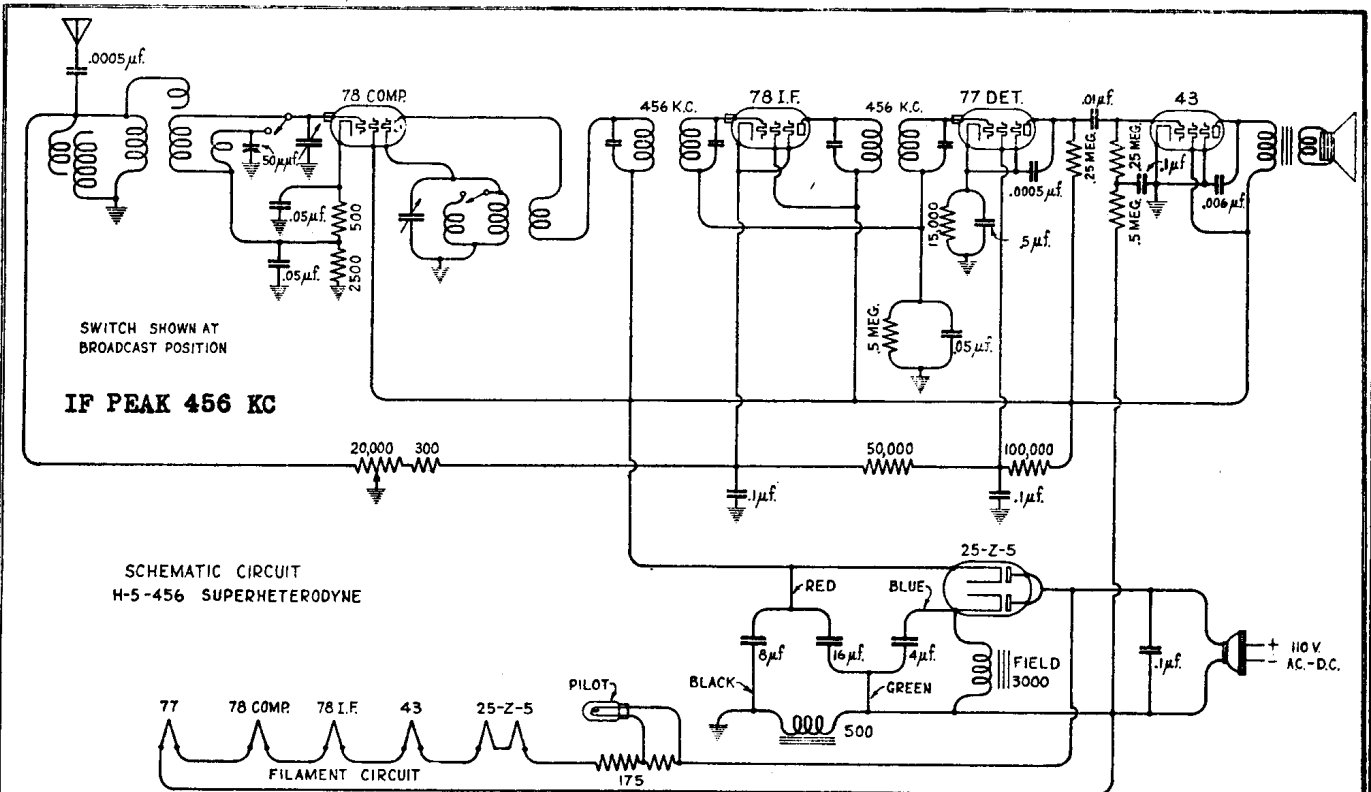
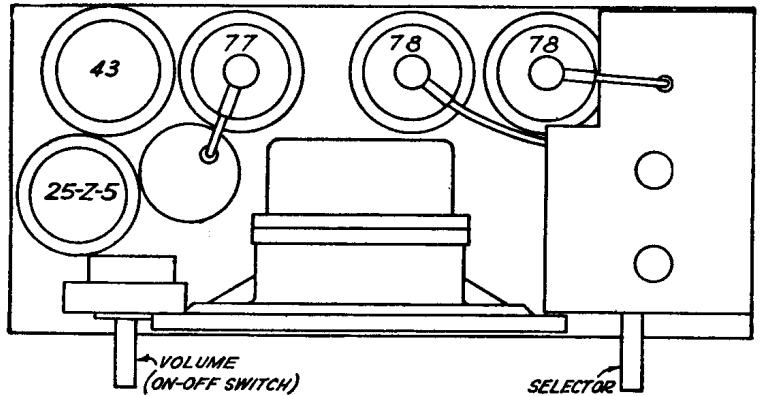
Voltage Readings:

Readings should be taken with Volume Control fully on.
Tuning control set for 550 K.C., and antenna outside the set.
Use a D.C. Voltmeter having a resistance of 1000 ohms per volt.

Using	300-volt scale Plate to Ground	300-volt scale Screen to Ground	30-volt scale Cathode to Ground	A.C.-D.C. . . . 100-135 Volts . . . 25-70 Cycles Also Available for 220 Volts.
				Broadcast Short Wave
78—Detector Oscillator ..	98	98	1.6	540—1500 Kilocycles 1500—3000 Kilocycles
78—I. F. Amplifier.....	98	98	2.8	550— 200 Meters 200— 100 Meters
77—2nd Detector	35	25	1.5	
43—Power Amplifier	92	98	..	
25Z5—Rectifier	98	

Voltage across speaker field 100 volt.

Bias for 43 tube is measured across filter choke and should be 15 to 18 volts.



Courtesy Nostalgia Air