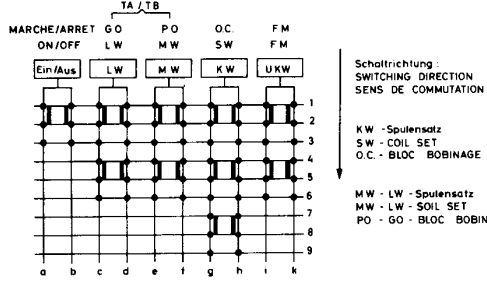
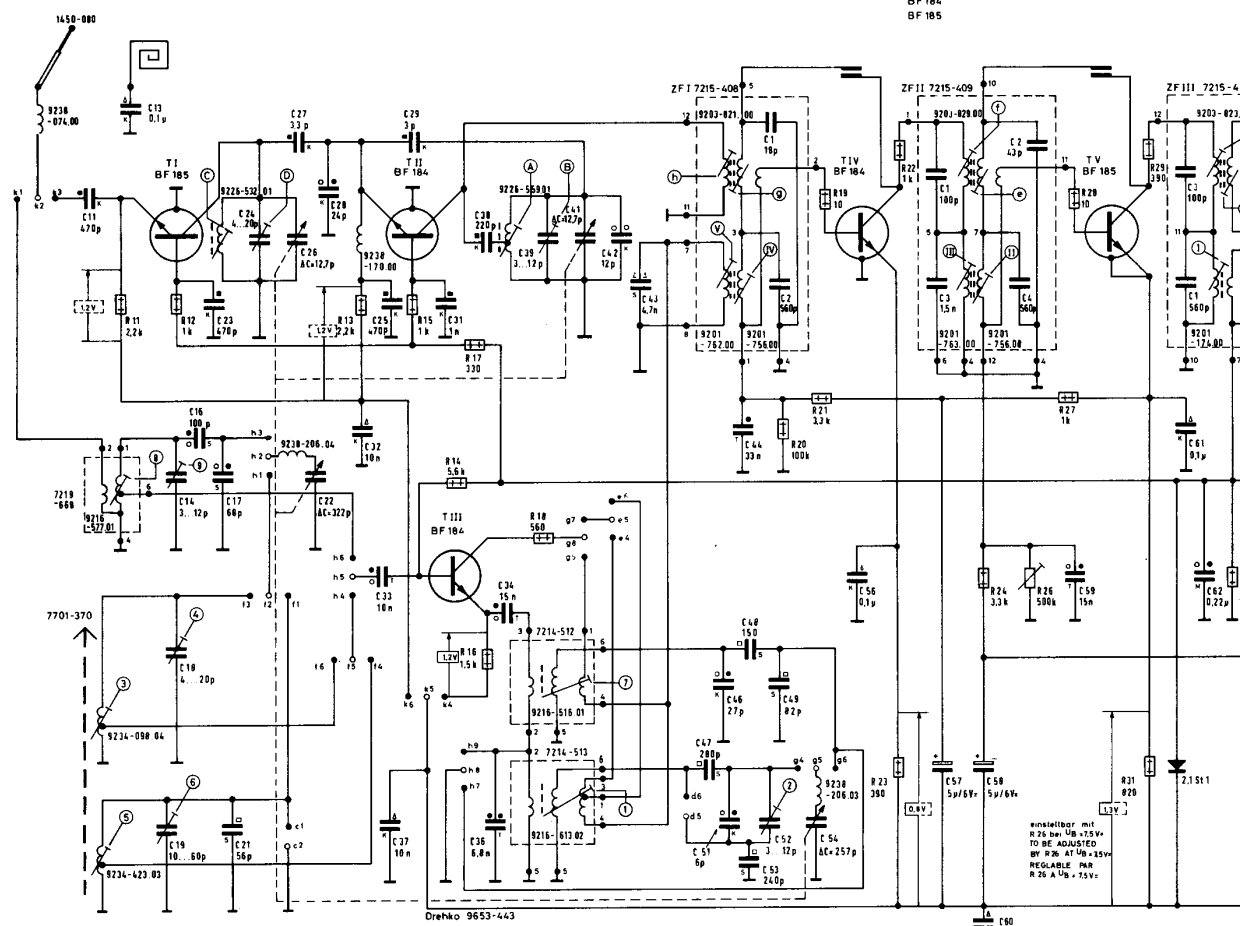


BF 184
BF 185



gezeichnete Tastenstellung Gerät „Aus“
SHOWN IN OFF POSITION
MONTRÉ EN POS. ARRÊT

Wellenbereiche:
WAVE BANDS
GAMMES D'ONDES

LW	- LW - GO	145	260 kHz / kc
MW	- MW - PO	510	1620 kHz / kc
KW	- SW - OC	5,85	7,4 MHz / Mc
UKW	- FM - FM	87	104 MHz / Mc

AM - ZF 460 kHz / kc
FM - ZF 10,7 MHz / Mc

Ferritantenne kpl
FERRITE AERIAL
ANTENNE FERRITE-COMPL } 7701-370

Anderungen vorbehalten

RIGHT FOR ALTERATIONS RESERVED

MODIFICATIONS RESERVÉES

Spannung den Maß gemesse eingedreht

VOLTAGE: AT 75% SIGNAL

TENSION: GRUNDIG AT 75% CONDEN

C:	11, 13, 14, 16, 22, 24, 26, 22, 32, 33, 37, 31, 36, 38, 34, 39, 41, 42, 43, 47, 46, 44, 53, 52, 49, 54, 56, 57, 58, 60, 59, 61, 62,
R:	11, 12, 13, 15, 14, 16, 17, 18, 20, 21, 14, 23, 22, 24, 26, 27, 28, 29, 31,

Abgleich-Lageplan

