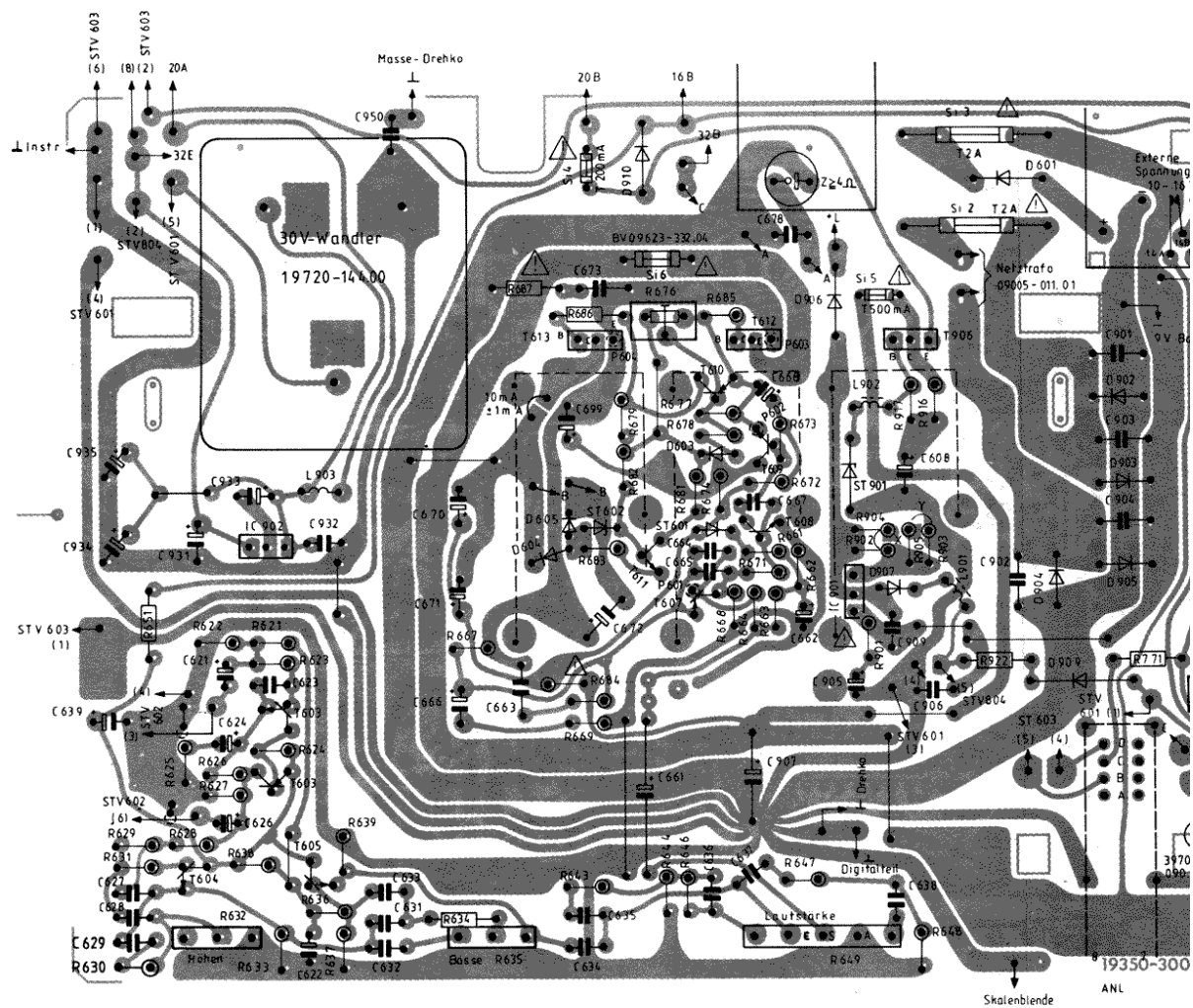
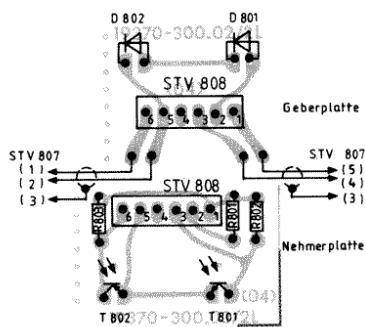


**NF-PLATTE**  
AF BOARD



**VARIOM**  
VARIOM



**GEBERPLATTE**  
TRANSMITTER BOARD

**NEHMERPLATTE**  
RECEIVER BOARD