

Emerson Radio & Phonograph Corp.

Model: 32

Chassis:

Year: Pre November 1935

Power:

Circuit:

IF:

Tubes:

Bands:

Resources

Riders Volume 6 - EMERSON 6-4

MODEL 32
 Chassis U5S
 Schematic
 Voltage, Parts

EMERSON RADIO AND PHONOGRAPH
 CORPORATION

FIVE-TUBE SUPERHETERODYNE RECEIVER

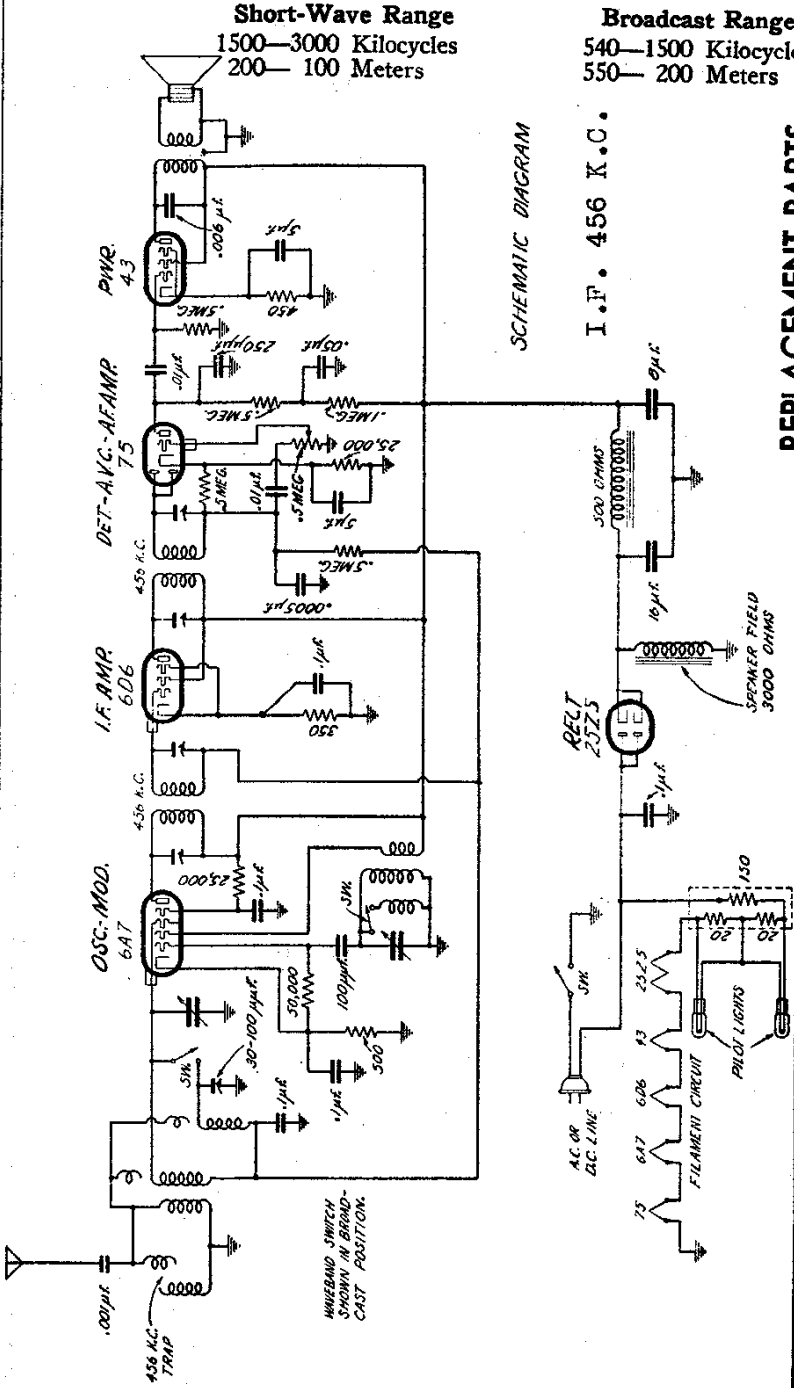
A.C.-D.C. . . . 105-130 Volts . . . 25-70 Cycles

Short-Wave Range
 1500-3000 Kilocycles
 200-100 Meters

Broadcast Range
 540-1500 Kilocycles
 550-200 Meters

SCHEMATIC DIAGRAM

I. F. 456 K. C.



REPLACEMENT PARTS

Part No.	Description
GGT-130	Antenna coil
GGT-131	Oscillator coil
GGT-132	First i-f transformer
GGT-133	Second i-f transformer
KT-40	Filter choke
GGR-143	Volume control
GGR-128	Ballast resistor
GGC-136A	Variable condenser
5C-81	Single padding condenser
GGC-137	Combination by-pass and filter condenser
KS-42	Wave band selector switch
KS-38A	5" Dynamic speaker
KL-6	Pilot light

CAUTION—UNDER NO CIRCUMSTANCES SHOULD A GROUND WIRE BE PERMITTED TO COME IN CONTACT WITH THE METAL CHASSIS OF THIS RECEIVER.

Voltage Readings:
 Readings should be taken with volume control on full, using a d-c voltmeter of 1000 ohms-per-volt. Measurements given are for a line voltage of 117.5 volts, 60 cycles and are measured from point indicated to ground with the antenna grounded to the metal chassis.

Plate	Screen	Cathode	Suppressor
6A7 Oscillator-modulator	100	55	3
6D6 I.f.	100	100	3
75 A.f.	30	30	1.5
43 Output	80	100	11

Voltage across speaker field, 125 volts.