

Manufacturer	Diagram Number
ADMIRAL	
6C71	3
6P32	6
6RT41	5
6RT42	5
6RT43	5
6RT44	2
6T01	1
6T02	5
6T04	5
6T05	1
6T06	4
6T11	5
6T12	4
7C62	7
7C63	9
7P32	8
7P33	8
7P34	8
7T06	10
7T12	10
AEROMOTIVE	
181-AD	11
AIRADIO	
SU-41D	12
SU-52A	12
SU-52B	12
SU-52C	12
AIRCASTLE	
PX	13
106B	11
568	14
651	15
5000	11
5001	11
5002	16
5003	17
5004	17
5005	17
5006	17
5010	18
5011	18
5012	18
5020	16
6514	15
6541	15
6547	15
6611	19
6612	19
6613	19
6630	19
6631	19
6632	19
6634	19
6635	19
AIR CHIEF (See Firestone)	
AIR KING	
4603	31
4604	34
4607	32
4608	32
4609	30
4610	30
4704	37
4705	35
4706	35
AIR KNIGHT	
CA500	6
N5-RD 291	6
AIRLINE	
04BR511A	40
04BR512A	40
04BR515A	43
04BR515B	43
04WG468	38
04WG568	39

Manufacturer	Diagram Number
AIRLINE (Continued)	
04WG569	39
04WG569B	39
04WG619	41
04WG621	41
04WG621NI	41
04WG672	42
04WG673	44
04WG674	44
04WG695	45
04WG727	45
04WG728	45
04WG732	45
04WG803	44
04WG804	45
04WG1108A	46
14BR474	48
14BR521A	40
14BR522A	40
14BR523A	48
14BR613A	48
14BR629A	48
14BR1474	48
14WG469	47
14WG518	6
14WG519	6
14WG610B	49
14WG611B	49
14WG624A	11
14WG625A	11
14WG628A	11
14WG680	42
14WG683A	51
14WG690	50
14WG737	52
14WG739	47
14WG740	52
14WG741	52
14WG756	56
14WG757	56
14WG807	56
14WG808M	56
14WG808MA	56
14WG808W	56
14WG808WA	56
14WG1202B	54
14WG1203B	54
14WG1203M	54
14WG1203W	54
54BR1501A	40
54BR1502A	40
54BR1503A	58
54BR1503B	58
54BR1503C	58
54BR1504A	58
54BR1504B	58
54BR1504C	58
54BR1505A	55
54BR1505B	55
54BR1506A	55
54BR1506B	55
54KP1209A	53
54KP1209B	53
54WG1801A	6
54WG1801B	6
54WG2007A	6
54WG2007B	6
54WG2500A	57
54WG2700A	57
62-123	11
62-131	11
62-133	11
62-142	11
62-144	11
62-152	11
62-158	11

Manufacturer	Diagram Number
AIRLINE (Continued)	
62-237	11
62-239	11
62-270	59
62-292	11
62-294	11
62-303	59
62-309	59
62-321	59
62-347	59
62-373	11
62-374	11
62-417	59
62-433	59
62-447	59
62-449	59
62-451	59
62-471	61
62-472	61
62-704	60
62-705	60
62-706	60
62-707	60
62-708	60
62-709	60
62-710	60
62-711	60
62-712	60
62-752	64
62-753	64
62-901	64
62-910	60
64BR1051A	62
64BR1051B	62
64BR1205A	65
64BR1206A	65
64BR1208A	63
64BR1503	58
64BR1504	58
64BR1808A	66
64BR2200A	63
64BR2701A	66
64WG1052A	67
64WG1207B	69
64WG1511A	68
64WG1511B	68
64WG1512A	68
64WG1512B	68
64WG1801C	6
64WG1804A	71
64WG1804B	71
64WG1804C	71
64WG1807A	71
64WG1807B	71
64WG1809A	68
64WG1809B	68
64WG2007A	6
64WG2007B	6
64WG2009A	68
64WG2009B	68
64WG2010B	68
64WG2500A	57
64WG2700A	57
64WG2700B	57
74WG1052B	67
74WG1207B	69
74WG1511B	68
74WG1512B	68
74WG1804C	71
74WG1807A	71
74WG2007B	6
74WG2007C	6
74WG2009B	68
74WG2010B	68
74WG2500A	57
74WG2505A	70

Manufacturer	Diagram Number
AIRLINE (Continued)	
93WG510	72
93WG754	74
93WG755	74
93WG800	74
93WG1102	80
93WG1103	46
93WG1104	46
93WG1110	80
ALLIED RADIO (See Knight)	
AMC	
125P	82
126	76
AMERICAN COMMUNICATIONS	
<i>(See Liberty)</i>	
ANDREA	
P163	73
ARCADIA	
37D14-600	78
ARIA	
554-1-61A	79
ARVIN	
552AN	77
552N	77
555	77
555A	77
558	81
664	6
664A	6
665	83
ATLAS	
AB-45	73
AUDAR	
PR-6	84
PR-6A	85
AUTOMATIC	
C60	86
601 (Series A)	73
602	73
612X	73
613X	73
614X	86
616X	86
620	87
640 (Series B)	73
AVIOLA	
509	88
601	89
608	91
612	89
618	91
BELLTONE	
500	90
BELMONT	
A6D110	94
4B17	93
4B112	65
4B113	65
4BA1	48
4BA2	48
5D16	48
5D128	96
5DA1	48
5P19	95
6D111 (Series A)	92
6D111 (Series B)	92
8A59	66
533 (Series B)	43
533 (Series C)	43
716	48
BENDIX	
0526	97
626A	97
636A	98
636B	98
636C	98

Manufacturer	Diagram Number
BENDIX (Continued)	
646A	99
656A	100
676B	101
676C	101
676D	101
736B	100
BREWSTER	
9-1084	103
9-1085	103
9-1086	103
BRUNSWICK	
A1020	102
A2020	102
A2600	107
A2700	102
A3720	102
1680	107
1700	102
2660	107
2689	107
BUICK	
980690	104
980733	104
980744	104
980745	104
BUTLER BROS. (See Air Knight or Sky Rover)	
20th CENTURY	
100X	73
101	73
104	73
CHEVROLET	
985538	105
985696	108
985697	106
985792	109
985793	110
985794	106
CHRYSLER (MOPAR)	
600	112
601	112
602	112
802	111
CISCO	
9A5	73
CLARION	
C100	11
C101	11
C102	113
C103	116
C104	116
C105	116
C105A	90
C108	13
11011	115
11305	90
CLEARSONIC	
5C66	11
COLONIAL	
629	112
671	112
671A	112
CONCORD	
6C51B	6
6C51W	6
6D51B	117
6D51I	117
6D51W	117
6D61B	120
6D61P	79
6D61X	120
6D62W	114
6E51B	18
6F26W	119
7G26C	38

Manufacturer	Diagram Number
CONTINENTAL	
A-11	118
A-11PH	118
B6	122
B11	118
L5	122
XB6	122
XL5	122
CORONADO	
43-6301	13
43-6451	124
43-7601B	38
43-7651	66
43-8160	121
43-8180	11
43-8213	124
43-8240	127
43-8241	127
43-8305	71
43-8312A	68
43-8330	123
43-8351	126
43-8352	126
43-8470	71
43-8471	68
43-8576	71
43-8685	125
43-9196	128
CORONET	
C-2	130
CROSLEY	
46FA	6
46FB	6
56PA	11
56PB	11
56TA	73
56TA-L	73
56TC	73
56TC-L	73
56TG	131
56TJ	129
56TL-L	73
56TN	73
56TP	73
56TR	133
56TS	133
56TU	131
56TW	73
66CA	66
66CO	66
66CP	66
66CS	66
66CS-M	66
66TA	11
66TC	11
66TW	11
86CR	132
86CS	132
106CP	66
106CS	66
DALBAR	
100	134
400	11
1000	134
Barcombo Jr.	134
Barcombo Sr.	134
DELCO	
R1175	135
R1176	136
R1177	136
R1178	139
R1179	139
R1181	136
R1206	138

Manufacturer	Diagram Number
DELCO (Continued)	
R1207	138
R1208	138
R1209	138
R1212	137
R1214	140
R1216	141
R1217	141
R1220	142
R1227	143
R1228	143
R1229	143
R1230A	73
R1231A	73
R1232A	73
R1234	143
R1235	143
R1408	73
R1409	73
DETROLA	
554	79
558	145
558-1-49A	145
568	14
568-13-2210	14
571	117
571A	117
571AL	117
571AX	117
571B	117
571BL	117
571BX	117
571X	117
572	144
572-220-226A	114
576	144
576-1-6A	144
579	120
582	14
7270	146
DEWALD	
A500	148
A500I	148
A500W	148
A501	148
A502	148
A503	148
A504	149
A505	149
A602	150
A605	150
A608	150
ECA	
101	19
102	19
104	18
105	151
106	18
108	154
121	152
131	19
201	152
ECHOPHONE	
EC112	153
EC113	153
EC306	157
EC600	147
EX306	157
ELCAR	
602	155
ELECTRO	
B20	163
ELECTROMATIC	
606A	156
607A	156

Manufacturer	Diagram Number
ELECTRONIC LABS	
76E	167
76K	167
76M	167
76RU	161
76W	167
710B	167
710M	167
710T	167
710W	167
2701	167
ELECTRO-TONE	
555	18
706	18
712	18
EMERSON	
501	11
502	11
503	11
504	11
505	158
506	160
507	158
509	158
510	158
510A	158
511	158
512	162
515	162
516	162
518	158
520	11
522	158
523	158
524	170
525	159
531	162
532	162
533	162
535	159
539	159
540A	165
541	73
543	159
544	159
552	159
1002	169
DS365	164
DS372	164
EQ368	166
EQ410	166
ER369	166
ER370	166
EV384	166
FH413	162
FH440	162
FJ412	160
FW423	160
GB439	162
GB441	162
GH437	160
GH447	160
GH2-447	160
EMPRESS	
55	174
56	174
ESPEY	
RR13	168
RR13L	168
581	73
651	15
652	15
653	15
6511	15
6511-2	15
6511-S	15

Manufacturer	Diagram Number
ESPEY (Continued)	
6514	15
6516	15
6517	15
6520	15
6520-2	15
6521	15
6533	15
6540	15
6541	15
6542	15
6545	15
6546	15
6547	15
6560	15
6611	172
6612	172
6613	172
6614	172
6615	172
6630	172
6631	172
6632	172
6634	172
6635	172
7541	15
FADA	
602	178
605	185
606	185
609	73
610	73
637	175
652	171
1000 Series	173
1001	175
FARNSWORTH	
BC66	176
BC103	177
BC105	177
BC601	186
BC601X	186
BK106	177
BK107	177
BK108	177
BK110	188
BK111	188
BK112	188
BK602	186
BK602X	186
BK6025	186
BK6025X	186
BT20	73
BT22	176
BT52	73
BT53	73
BT54	73
BT55	176
BT56	176
BT61	176
BT63	176
BT600	186
BT600X	186
CC70	187
CK58	179
CK66	179
CK73	187
CK74	187
CK75	187
CK111	177
CT50	179
CT51	179
CT52	179
CT53	179
CT54	179
CT61	179

Manufacturer	Diagram Number
FARNSWORTH (Continued)	
CT62	179
CT63	179
CT64	179
DK73	187
DK75	187
EC260	28
EK262	28
EK263	28
EK263BL	28
EK263WL	28
EK264	28
EK264BL	28
EK264WL	28
EK265	28
ET060	180
ET061	180
ET063	180
ET064	180
ET065	180
ET066	180
FEDERAL	
1030T	138
1540T	138
FERRAR	
C81-B	184
FIRESTONE	
4A2	21
4A20	20
4A21	22
4A21X	24
4A22	22
4A22X	24
4A23	25
4A24	23
4A25	26
4A31	28
4A37	27
4B1	29
4B2	29
4C3	36
4C6	36
S7400-4	33
S7400-5	33
S7406-7	33
FORD	
6MF080	181
FREED EISEMAN	
46	193
GAMBLE SKOGMO (See also Coronado)	
C4B15	48
C4B16	48
C5D14	40
C5D16	48
15C6A	191
15C6B	190
864	80
3128 (Late)	182
4132	182
4164	183
4956	45
GAROD	
5A2	192
5API-Y	189
5D	194
5D2	194
6AU-1	82
6BU-1A	195
6DPS	196
6DPS-A	196
GENERAL ELECTRIC	
G61	197
G64	200
G65	200

Manufacturer	Diagram Number
GENERAL ELECTRIC (Continued)	
G66	197
G68	197
G69	197
G75	200
G78	197
G85	198
G86	197
G95	202
G99	198
GDE-73	204
GE-52	206
GE-73	204
GE-78	204
GE-93	205
GE-96	205
H73	203
H77	203
H78	203
H79	203
H87	203
H116	203
H118	203
H600	207
H600U	207
H601	207
H610	207
H610U	207
H611	207
H620	208
H620U	208
H621	208
H622	208
H623	208
H625	208
H630	208
H630U	208
H631	208
H632	208
H632U	208
H633	208
H634	203
H638	203
H640	203
H708	209
H736	209
HE74	204
HE74L	204
HE100	199
HE100H	199
HE100L	199
HE100LH	199
HE105	199
HE105L	199
HE740	204
HE740L	204
HJ119	203
HJ737	209
HJ905	203
HJ908	203
HJ908B	203
HJ1005	203
HJ1205	203
J62	210
J63	210
J64	211
J71	211
J105	211
J602	212
J603	212
J614	212
J620	210
J664	212
J709	209
J718	211
J728	211

Manufacturer	Diagram Number
GENERAL ELECTRIC (Continued)	
J805	211
J808	211
J809	211
J818	211
J828	211
J1106	211
J1108	211
JE81	213
JE101	215
JE107	215
JE810	213
L600	212
L601	212
L610	212
L611	212
L631	212
L642	212
L643	212
L650	214
L651	214
L652	214
L653	212
L660	214
L663	212
L673	212
L674	212
LF115	216
LF116	216
LFC1118	216
LFC1128	216
LFC1228	216
X115	220
X125	220
X145	220
X225A	212
X225V	212
20	210
35	215
40	216
50	218
60	211
80	211
100	217
101	217
103	217
105	217
106	221
180	219
200	222
201	222
203	222
205	222
205M	222
219	227
220	227
221	227
250	225
260	225
303	223
321	224
326	226
327	226
417	230
GENERAL TELEVISION	
1A5	73
2A5	73
3A5	73
5A5	73
14A4F	6
15A5	73
17A5	73
19A5	73
21A4	73
22A5C	73
23A6	73

Manufacturer	Diagram Number
GILFILLAN	
56A	73
56B	73
56C	73
56D	73
66A	229
66AM	229
66B	73
66D	229
66DM	229
66P	231
66PM	231
GLOBE	
5BP1	233
6AP1	228
6D1	232
6P1	228
6U1	232
62C	237
551	11
GODRICH (See Mantola)	
GRANTLINE	
500	234
501	234
605 (Series A)	92
606 (Series A)	92
651	15
6547	15
HALLICRAFTERS	
S-38	235
S-40	236
S-41B	242
S-41W	242
HOFFMAN	
A200	239
A202	240
A300	82
A309	240
A401	82
A501	241
A700	238
B400	244
B1000	18
HOWARD	
4BT	171
220	171
221	171
270	171
271	171
300 Series	243
307-4	243
307TP-2	243
430 (Series 2)	246
438	246
460	250
500 Series	245
718FM	249
765	248
768	248
780	248
806	247
808	247
808 (Series X)	259
810	247
865	255
868	255
901A-E	73
901A-H	73
901A-I	73
901A-M	73
901A-P	73
901A-W	73
906	253
906C	253
920	73

Manufacturer	Diagram Number
HUDSON	
DB39	256
DB40	252
SA39	256
SA40	252
JEFFERSON TRAVIS	
MR-2B	251
MR-3	251
JEWEL	
500A	18
500B	18
500C	18
501A	18
501B	18
501C	18
502A	18
502B	18
502C	18
503A	18
503B	18
503C	18
504A	18
504B	18
504C	18
505A	18
505B	18
505C	18
KNIGHT	
5A-150	15
5A-152	15
5A-154	15
5A-190	11
5B-160	18
5B-175	16
5B-176	16
6A-122	254
6A-127	261
6A-195	16
6B-122	254
6B-127	261
8B-210	258
D-182	249
D-197	249
LAFAYETTE	
B33	6
B112	41
B195	183
BB9 (A)	191
BB9 (B)	190
FA15W	257
FA15Y	257
J62	237
J62C	237
MC10B	11
MC10Y	11
MC13	11
LEARADIO	
561	260
562	260
563	260
565	260
565BL	260
566	260
567	260
568	260
661	270
6610PC	270
6611PC	270
6612PC	270
6614	260
6615	260
6616	260
6617PC	260
6619	260
LEWYT	
615A	265

Manufacturer	Diagram Number
LEXINGTON	
6545	15
LIBERTY	
A6K	264
A6P	264
6K	264
507A	264
LINCOLN	
S13L-B	185
LINCOLN (Allied Radio Corp.)	
5A-110	26
LYRIC	
546T	73
546TY	73
546TW	73
MAGIC TONE	
500	19
501	19
MAGNAVOX	
CR-101	262
CR-101M	262
CR-108M	266
CR-122	266
CR-187	263
CR-188	263
CR-189A	267
CR-189B	267
CR-190	271
CR-192A	267
CR-192B	267
CR-193	263
CR-198A	263
CR-198B	263
CR-198C	263
MAGUIRE	
500BI	269
500BW	269
500DI	269
500DW	269
561BI	269
561BW	269
561DI	269
561DW	269
661	269
661A	269
700A	268
700E	268
MAJESTIC	
5A410	272
5A430	272
7C432	274
7C447	274
8S452	273
8S473	273
MANTOLA	
R459	118
R643	4
R652	6
R652N	6
R654-PM	275
R654-PV	275
R655	275
R662	6
R662N	6
R7543	73
MASON	
45-1A	73
45-1B	73
45-1P	73
45-3	73
45-4	73
45-5	73

Manufacturer	Diagram Number
MECK	
PM-5C5-DW10	6
PM-5C5-PW10	6
RC-5C5-P	6
6A6-W4	187
MEDCO (See Telesonic)	
MEISSNER	
9-1065	6
MIDLAND	
M6B	278
MIDWEST	
P-6	276
PB-6	276
S-8	282
ST-8	282
TM-8	282
MINERVA	
L702	171
L728	19
W117	6
W117-3	11
W702-B	171
W710	281
W710-A	281
W728	19
MONITOR	
TA56M	129
TW56M	129
MONTGOMERY WARD (See Airline)	
MOPAR (See Chrysler)	
MOTOROLA	
BK6	279
CR6	280
CT6	279
FD6	279
NH6	279
OE6	279
PC6	279
PD6	283
9-24	285
9-24A	285
9-44	288
16-C	284
17-D	287
18-O	289
19-B	289
25-F	290
26-C	291
26-C7	291
27-D	293
27-D6	293
28-O	291
29-B	291
29-B6	291
30-P	291
35-F	294
35-N	292
36-C1	295
36-C2	295
37-D1	296
37-D2	296
38-O	291
39-B1	291
39-B2	291
40-P	286
43-H	297
44-K	298
45-B12	158
45-N	299
51-A	73
51-C	73
51-F11	300
51-F12	301
51-R11	300

Manufacturer	Diagram Number
MOTOROLA (Continued)	
52-C	73
53-A	73
53-C	73
54-A	73
54-C	73
55-F11	303
55-X11	302
55-X11A	304
55-X12	302
55-X12A	304
55-X13	302
55-X13A	304
60-XW	301
61-A	305
61-B	305
61-C	306
61-D	306
61-E	305
61-F	307
61-T21	308
61-T23	314
61-X11	301
61-X12	301
61-X13	301
62-A	305
62-B	305
62-E	305
62-F1	312
63-A	305
63-E	305
65-F11	303
65-F12	303
65-F21	309
65-T21	310
65-T21B	310
65-X11	19
65-X11A	19
65-X12	19
65-X12A	19
65-X13	19
65-X13A	19
65-X14	19
65-X14A	19
65-X14B	19
71-A	313
72-C	311
75-F21	315
81-C	306
81-F21	308
81-F22	308
81-K31	316
82-A	317
83-F1	312
83-K1	321
85-F21	309
85-K21	309
93-F1	312
95-F31	320
95-F31B	320
95-F33	320
101-F21	319
101-R21	319
103-CK2	318
103-F1	312
103-F2	312
103-K1	322
250	325
251	325
MURPHY	
113	258
122	258
NATIONAL CO.	
NC-46	326

Manufacturer	Diagram Number
NATIONAL UNION	
571	117
571A	117
571B	117
G-613	324
G-619	189
OLDSMOBILE	
982160	323
982282	327
982375	323
OLYMPIC	
6-501	328
6-501VU	328
6-501WU	328
6-502	328
6-502P	328
6-502U	328
6-503	328
6-504	6
6-504L	6
6-601V	329
6-601W	329
6-602	329
6-606	272
6-606A	272
6-606U	272
6-617	329
PACKARD BELL	
5DA	73
5FP	73
551	333
551-D	333
556	333
561	330
563	330
568	73
651	333
661	331
662	332
861	332
1052	334
1052-A	334
1054-B	337
1063	272
PHILCO	
UN6-100	336
UN6-450	335
UN6-500	335
39-40	339
39-45	339
39-55	342
39-116	342
39-770	338
40-110	341
40-130	340
40-135	340
40-140	340
40-145	340
40-150	344
40-155	344
40-158	348
40-160	345
40-165	345
40-170CS	340
40-180	344
40-185	344
40-190	344
40-195	338
40-200	338
40-201	338
40-205	342
40-215	342
40-216	342
40-217	342
40-503	340

Manufacturer	Diagram Number
PHILCO (Continued)	
40-506	340
40-507	340
40-516	342
40-525	340
40-526	340
40-527	340
40-710	351
40-715	351
40-725	349
40-748	349
40-755	349
40-756	349
40-780	349
40-2710	351
40-2725	349
40-2780	349
41-230	350
41-235	350
41-250	353
41-255	353
41-260	352
41-265	352
41-280	353
41-285	353
41-287	353
41-290	353
41-295	338
41-296	353
41-300	338
41-315X	338
41-316	342
41-608	355
41-609	355
41-610	353
41-611	353
41-616	342
41-629	353
41-712	354
41-713	354
41-714	346
41-722	347
41-745	347
41-758	347
41-759	347
41-788	356
42PT-2	343
42PT-4	343
42PT-7	343
42-121	362
42-122	358
42-123	361
42-124	364
42-125	364
42-126	364
42-350	357
42-380	363
42-395	363
42-400	338
42-706	343
42-724	360
42-730	366
42-760	359
42-761	359
42-762	359
42-788	356
42-1002	369
42-1003	367
42-1005	367
42-1008	365
42-1009M	365
42-1009W	365
42-1012	368
42-1013M	368
42-1013W	368

Manufacturer	Diagram Number
PHILCO (Continued)	
42-1015	338
42-1016	338
46-131	370
46-132	371
46-200	173
46-200I	173
46-201	173
46-202	173
46-203	173
46-250	372
46-250I	372
46-251	372
46-350	373
46-420	377
46-420I	377
46-421	374
46-421I	374
46-427	375
46-480	376
46-1201	379
46-1203	378
46-1209	380
46-1213	382
46-1226	380
PHILHARMONIC	
6810	196
8701	196
8702	196
8703	196
8710	196
8711	196
8712	196
PHILLIPS PETROLEUM CO. (See Woolaroc)	
PILOT	
T-411-U	381
T-500	73
T-510	381
T-511	381
T-521	383
T-530	393
PONTIAC	
983667	384
983679	386
983680	394
983775	386
983910	108
983911	386
984170	108
984171	386
PREMIER	
15LW	127
PURE OIL (See Puritan)	
PURITAN	
501	385
501X	124
502	385
502X	124
503	388
504	387
506	20
507	20
508	25
RCA VICTOR	
QB-1	391
HF-2	390
QB-2	391
QU-2C	392
QU-2M	392
QB-3	399
QU-3C	396
QU-3M	396
HF-4	390
4QB	398

Manufacturer	Diagram Number
RCA VICTOR (Continued)	
4QB4	398
QB-5	397
QU-5	392
TT-5	395
TRK-5	395
5Q5	398
5Q6	398
5Q8	398
5Q12	400
5Q12A	400
5Q55	398
5Q56	398
5Q66	398
6QU	400
HF-6	401
QB-6	391
6Q1	402
6Q4	402
6Q4X	402
6Q7	400
6Q8	400
6QK8	400
7QB	403
7QBK	403
QU-7	407
7Q4	405
7Q4X	405
7QK4	405
HF-8	401
8QB	403
8QBK	403
QU-8	407
8Q1	406
8Q2	404
8Q4	406
8QU5C	404
8QU5M	404
QB-9	391
9QK	408
TRK-9	410
9M1	409
9Q1	408
9M2	409
9Q4	405
10Q1	406
10-X	411
U-10	107
11Q4	414
11QK	414
11QU	414
11X-1	411
Q-11	397
12AX	411
12AX2	411
12Q4	414
12QK	414
12QU	414
12X	411
12X2	411
Q-12	397
U-12	107
TRK-12	410
14AX	411
14AX2	411
14X	411
14X2	411
Q-14	412
Q14E	412
Q-15	412
Q-15E	412
15X	397
16K	413
16T2	413
16T3	413
16T4	413

Manufacturer	Diagram Number
RCA VICTOR (Continued)	
16X4	415
16X11	397
16X13	397
16X14	397
Q-16	416
Q-16E	416
17K	139
Q-17	416
18T	139
Q-18	398
19K	417
U-20	107
Q-22	391
Q-22A	391
Q-23	416
QK-23	392
Q-24	391
25BK	418
25BT2	419
25BT3	418
Q-25	420
U-25	395
26BP	421
26X1	397
26X3	397
26X4	397
Q-26	396
U-26	395
27K	422
Q-27	420
28T	139
28X	140
28X5	140
29K	141
29K2	141
Q-30	423
U-30	414
Q-31	423
Q-33	399
34X	411
35X	411
36X	397
U-40	107
BK-42	427
BT-42	427
U-42	107
U-43	107
Q-44	426
U-44	425
45X18	424
U-45	425
K-50	107
M-50	409
U-50	400
QU-51C	428
QU-51M	428
B-52	419
QU-52C	392
QU-52M	392
55AU	429
55F	419
55FA	419
55U	429
QU-55	430
T-55	107
X-55	107
56X	431
56X2	431
56X3	431
56X5	397
56X10	397
56X11	397
QU-56C	432
QU-56M	432
T-56	107

Manufacturer	Diagram Number
RECORDIO	
6B10	451
6B20	451
6B30	451
6B32	451
REGAL	
L76	171
W800	171
W801	171
W900	454
W901	454
1049	452
REMLER	
MP5-5-3	173
RENARD	
L-1A	455
PT-1A	455
1B5T-1	455
SCOTT	
800-B	456
SEARS ROEBUCK (See Silvertone)	
SENTINEL	
263	459
264	459
273	459
284-I	26
284-NA	26
284-NI	26
284-W	26
285-P	261
289-T	23
292-K	454
293-I	459
293-T	459
293-W	459
294-I	459
294-N	459
294-T	459
1U-284I	26
1U-284NA	26
1U-284NI	26
1U-284W	26
1U-285	261
1U-293I	459
1U-293T	459
1U-293W	459
1U-294I	459
1U-294N	459
1U-294T	459
1U-294W	459
SETCHELL-CARLSON	
416	192
SILVERTONE	
R-381	460
771	458
R-1161	458
1771	458
1781	462
1781-A	462
2011	73
2051	73
2411	73
2461	458
2511	73
2761	458
4608	461
4609	461
4628	461
4629	461
4638	461
4639	461
4648	461
4649	461
4666	465
4667	463

Manufacturer	Diagram Number
SILVERTONE (Continued)	
4686	465
4728	461
4748	461
4766	465
4767	463
4777	463
4791	465
4792	465
4798	463
5502	466
5511	460
5511-A	460
5571	460
5571-A	460
5581	458
5601-A	460
5621	458
6008	464
6009	464
6011	467
6012	467
6016	464
6017	464
6018	464
6019	464
6022	464
6036	470
6038	470
6046	464
6047	464
6048	464
6049	464
6050	6
6051	468
6052	468
6068	464
6069	464
6071	6
6072	469
6074	470
6079	470
6092	466
6093	466
6100	73
6104	466
6105	466
6111	466
6122	464
6132	464
6136	470
6138	470
6146	464
6148	464
6157	473
6168	464
6190	474
6200-A	475
6220	475
6220-A	475
6230	477
6230-A	477
6285-A	478
6301	474
6303	476
6320	480
6321	471
6322	471
6323	471
6324	471
6325	472
6335	472
6336	472
6337	472
6346	472
6346-A	472
6359	472

Manufacturer	Diagram Number
SILVERTONE (Continued)	
6360	472
6361	472
6362	472
6363	472
6364	472
6368	472
6379	472
6380	472
6381	472
6382	472
6407	472
6408	472
6409	472
6421	471
6424	471
6425	472
6435	472
6436	472
6437	472
6438	472
6438-A	472
6438-B	472
6439	472
6439-A	472
6440	472
6441	472
6446	472
6447	471
6449	460
6490	472
6490-A	472
6495	472
6497	472
6551	482
6561	482
6621	482
6661	482
6721	482
6751	482
6751-A	482
6761	482
6761-A	482
6921	482
7010	479
7021	481
7034	479
7037	483
7038	484
7048	483
7049	466
7054	489
7065	73
7066	73
7067	466
7068	466
7069	483
7070	483
7071	487
7080	486
7090	488
7100	485
7104	491
7106	491
7112	491
7115	490
7116	490
7117	490
7167	466
7168	466
7221	493
7228	410
7230	395
7245	492
7905	396
7915	408

Manufacturer	Diagram Number
SIMPLON	
WV2	494
SKY KNIGHT	
CB-500-P	6
SKYROVER	
N5-RD-250	20
N5-RD-251	20
SONORA	
RBU-176	451
RCU-208	495
RDU-209	189
RKRU-215	498
RMR-219	496
RQU-222	501
RX-223	497
SPARTON	
5AM26PS	500
5AW06	503
6AW26PA	502
7AM46	499
8AM46	499
10BW76PA	504
SPIEGEL (See Air Castle)	
STEWART-WARNER	
01-5H	509
01-6A	509
010-6AX	509
01-6B	509
010-6BX	509
01-6C	509
010-6CX	509
01-6D	507
01-6DX	507
01-6F	509
01-6F9	509
01-6G	507
01-6GZ	507
01-8C7	506
01-8C7-Z	506
01-9A	506
01-9A-Z	506
11-6U	505
11-6U-Z	505
11-7A1	508
11-7A9	508
11-8D	510
11-8F	510
11-8R	510
11-8R8	508
11-8R9	508
11-9B	506
11-9B-Z	506
11-10A	510
51T126	20
51T136	20
51T146	20
51T176	20
61T16	20
61T26	20
61TR36	511
61TR46	511
62T16	512
62T36 (Dial Only)	20
62TC16	512
62TC26	512
62TC36	512
72-CR16	510
72-CR26	510
205GA	513
205GZ	513
9000-B	20
9001-C	22
9001-D	22
9001-E	22
9001-F	22
9002 (Dial Only)	20
9003	514

Manufacturer	Diagram Number
STEWART-WARNER (Continued)	
9004	510
9005-A	14
9005-B	14
9007-A	516
9007-F	516
9007-G	516
9014-E (Dial Only)	20
9017 (Dial Only)	20
A51T1	515
A51T2	515
A51T3	515
A51T4	515
R-3581	513
R-3589	513
R-3861	513
R-3869	513
STRATAVOX	
579-1-58A	120
STROMBERG-CARLSON	
1100-H	517
1100-HI	517
1101-HB	454
1101-HI	454
1101-HM	454
1101-HW	454
1101-HY	454
1105 (Series 10-11)	518
1110-HW (Series 10)	519
1110-PTW (Series 10)	519
1121 (Series 10-11-12)	520
1121-HW	520
1121-LW	520
1121-M1-O	520
1121-M2-W	520
1121-M2-Y	520
1121-PFM	520
1121-PFW	520
1121-PGM	520
1121-PGW	520
1121-PLM	520
1121-PLW	520
1121-PSM	520
SWANK	
DU101	521
TELESONIC (MEDCO)	
1635	6
1642	167
TELE-TONE	
109	258
117-A	258
133	258
134	258
135	260
TEMPLE	
E510	189
E511	11
E519	189
F611	324
F616	523
F617	524
G515	189
G516	189
TEMPOTONE	
500E Series	269
TRAV-LER	
5000	11
5000-I	11
5002	73
5007	18
5008	18
5009	18
5010	18
5011	18
5012	18
5020	73

Manufacturer	Diagram Number
TRUETONE	
D705	80
D934	466
D1015	40
D1016	40
D1042	45
D1070	43
D1117	525
D1118	182
D1124	48
D1145	41
D1172	41
D1176	41
D1202	182
D1215	40
D1224	48
D1644	189
D1645	38
D2127	182
D2133	526
D2149	41
D2210	40
D2211	40
D2224	182
D2261	48
D2610	527
D2611	527
D2612	20
D2613	20
D2615	529
D2616	528
D2620	531
D2621	530
D2622	275
D2623	18
D2624	78
D2630	78
D2634	125
D2642	275
D2644	13
D2645	68
D2661	527
D2663	4
D3619	95
D3630	73
D3630N	73
ULTRADYNE	
L46	35
U. S. TELEVISION (See also Clearsonic)	
5-16 Series	174
5-46 Series	174
UNITONE	
88	171
VAN CAMP	
576-1-6A	144
VIEWTONE	
RC-201A	173
RRC-201	173
VOGUE	
553R	11
554R	11
WALGREEN	
568	14
571	117
WARWICK (See Clarion)	
WATTERSON	
4581	73
RC4581	73
4582	11
ARC4591A	73
4790	132
WELLS-GARDNER	
1A17	46
1A29	45
1A62 Series	183
1A62-4	183
1A63 Series	183

Manufacturer	Diagram Number
WELLS-GARDNER (Continued)	
1A63-3	183
1A63-4	183
5A255	72
6A43	41
6A44	41
6A65 Series	47
6B10	532
6B16	532
6B18	532
7A40	45
7A41	45
7A66	526
7D11 Series	182
8A30	45
8A31	45
8A51 Series	41
A10 Series	61
A20 Series	64
A22 Series	60
A23 Series	60
A24 Series	60
S2	64
T3 Series	64

WESTERN AUTO (See Truetone)

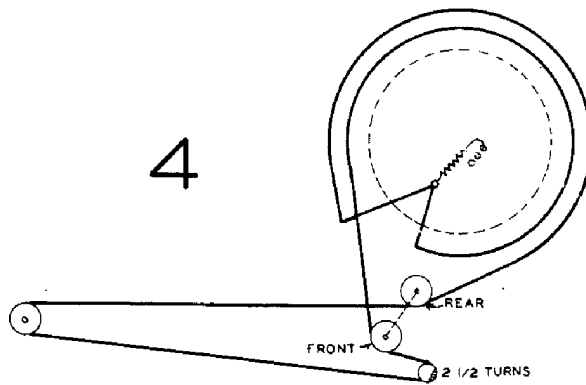
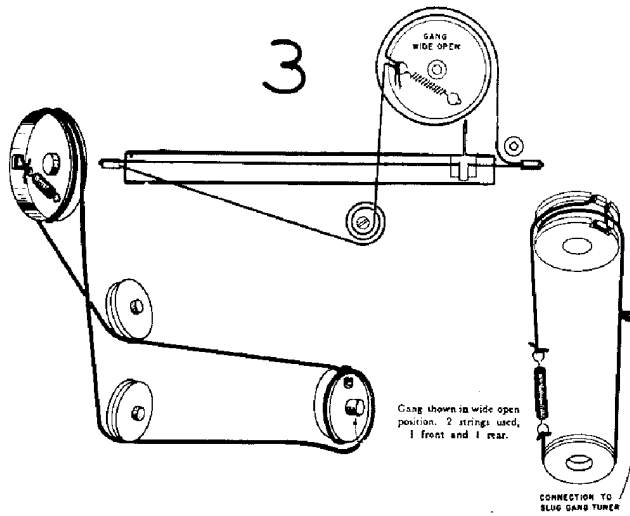
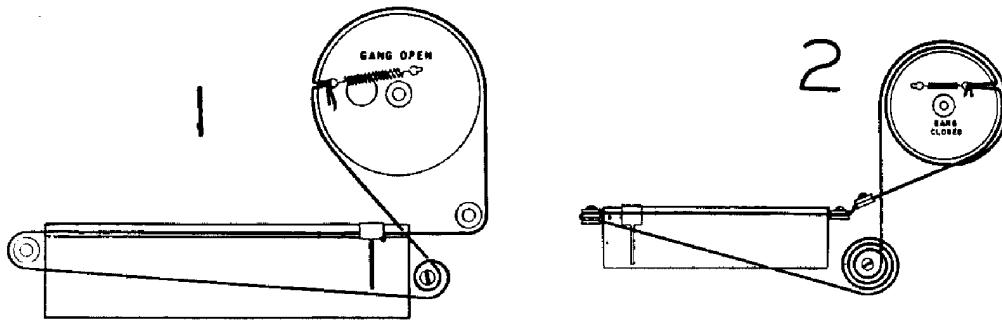
Manufacturer	Diagram Number
WESTINGHOUSE	
H-104	533
H-105	533
H-107	533
H-108	533
H-110	533
H-111	533
H-113	535
H-114	535
H-116	535
H-117	535
H-119	535
H-122	534
H-125	536
H-126	536
H-130	534
H-133	539
H-137	533
H-138	533
H-148	538
H-155	534
H-1251	536
WR-12X7	537
WR-12X8	411
WR-12X9	397
WR-12X12	397
WR-12X14	415
WR-12X15	137
WR-12X16	140
WR-13X8	411
WR-42X2	446
WR-42X3	413
WR-42X4	437
WR-42X5	437
WR-42X7	413
WR-42X14	437
WR-42X15	437
WR-158	443
WR-168	540
WR-168A	540
WR-170	107
WR-172	107
WR-175	107
WR-176	107
WR-186	537
WR-258	443
WR-260	541
WR-264	395
WR-270	107
WR-272	107

Manufacturer	Diagram Number
WESTINGHOUSE (Continued)	
WR-274	102
WR-290	417
WR-366	410
WR-368	410
WR-370	410
WR-372	107
WR-373	107
WR-374	102
WR-388	417
WR-473	107
WR-474	107
WR-476	102
WR-480	537
WR-482	537
WR-484	537

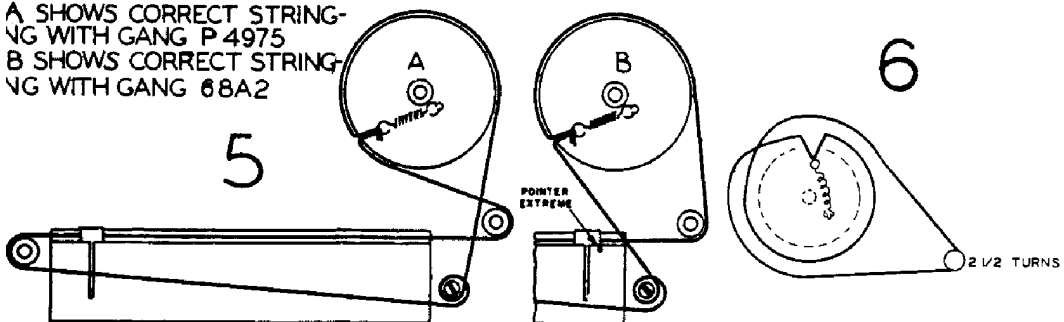
WILCOX-GAY (See Recordio)

Manufacturer	Diagram Number
WOOLAROC	
3-1A	20
3-2A	20
3-3A	25
3-4A	516
3-9A	385
3-10A	385
3-11A	387
3-29A	388

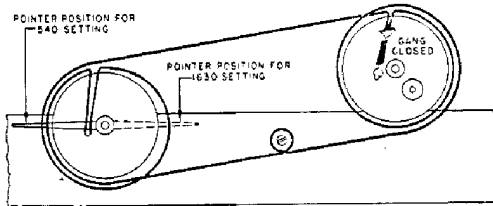
Manufacturer	Diagram Number
ZENITH	
4K016	542
4K035	542
5D011	544
5D027	544
5G003	544
5R080	544
5R086	544
6D014	542
6D014W	542
6D015	544
6D015Y	544
6D029	542
6D029G	542
6D030	544
6G001	544
6G001Y	544
6G004Y	543
6MF590	548
6MF591	548
6MF593	545
6MN495	547
6MN496	547
6MN595	546
6R084	549
6R087	542
7ML592	550
7MN596	546
8G005Y	542
8H023	551
8H032	552
8H033	552
8H034	551
8H050	552
8H051	552
8H052	552
8H061	552
9H079	542
9H079E	542
9H079R	542
9H081	542
9H082R	542
9H085R	542
9H088R	542
12H090	35
12H091	35
12H092	35
12H093	35
12H094	35



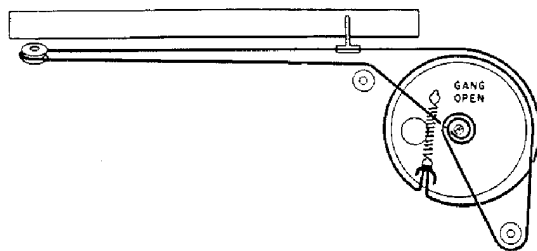
A SHOWS CORRECT STRINGING WITH GANG P 4975
 B SHOWS CORRECT STRINGING WITH GANG 68A2



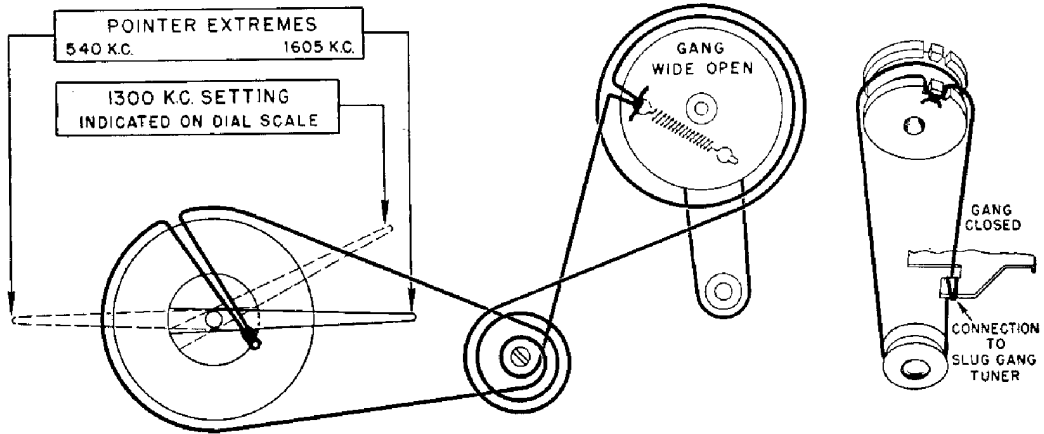
7



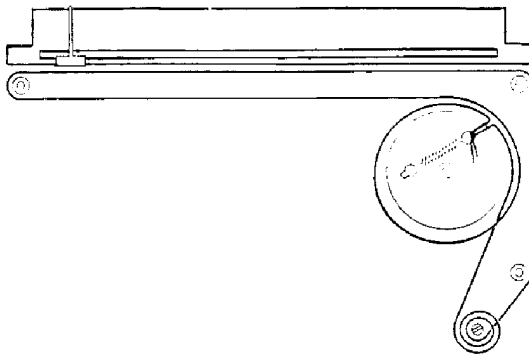
8



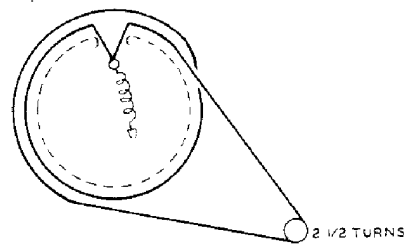
9

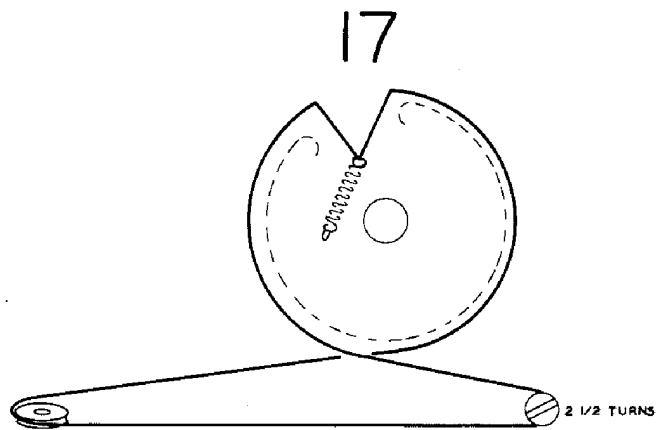
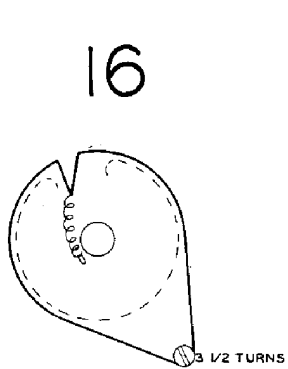
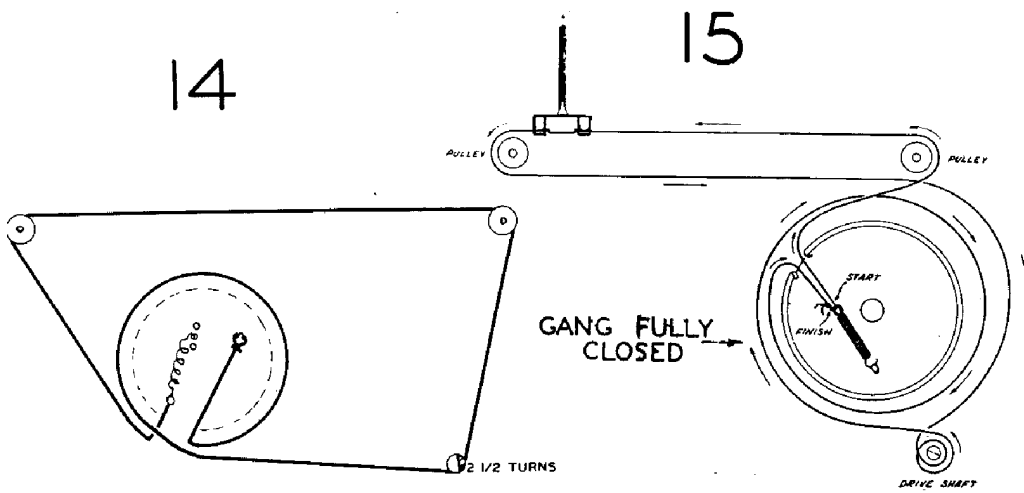
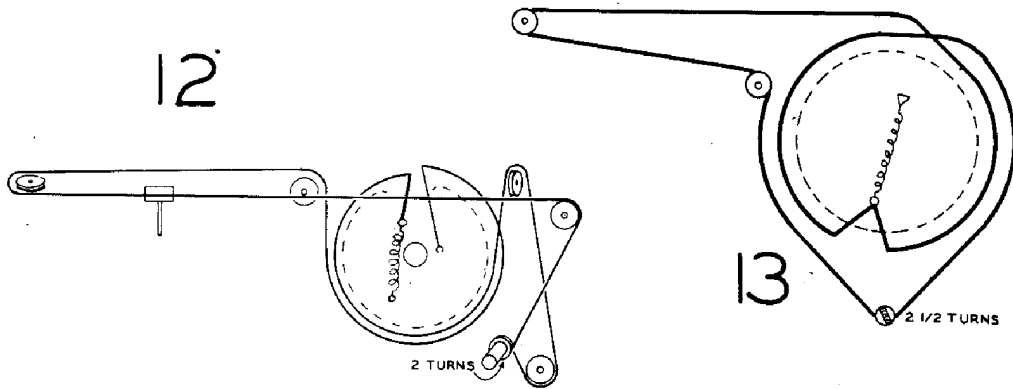


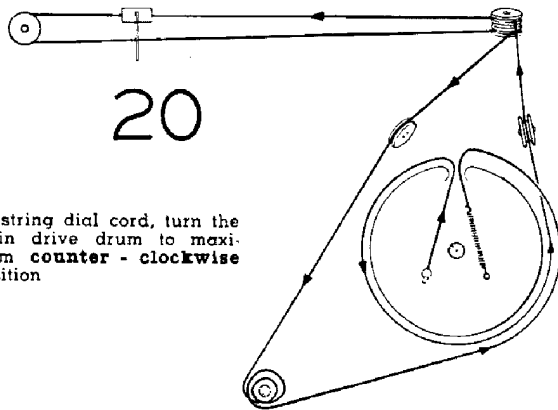
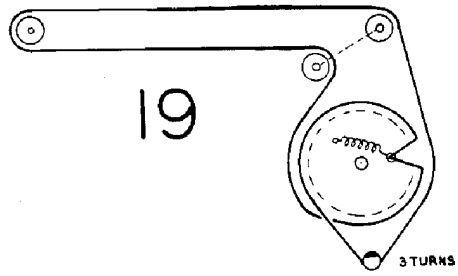
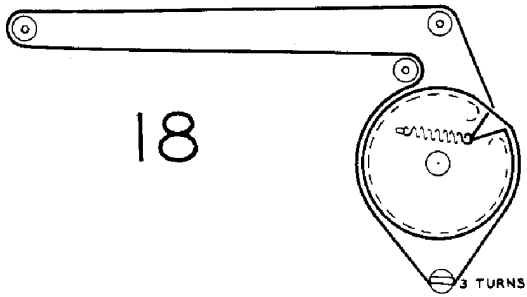
10



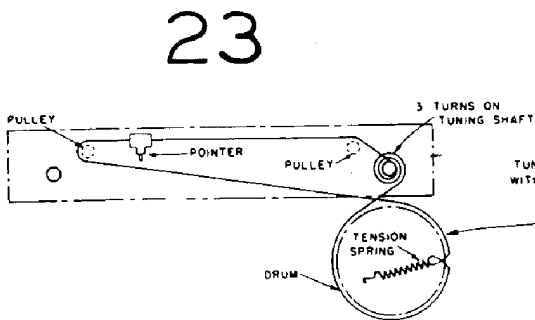
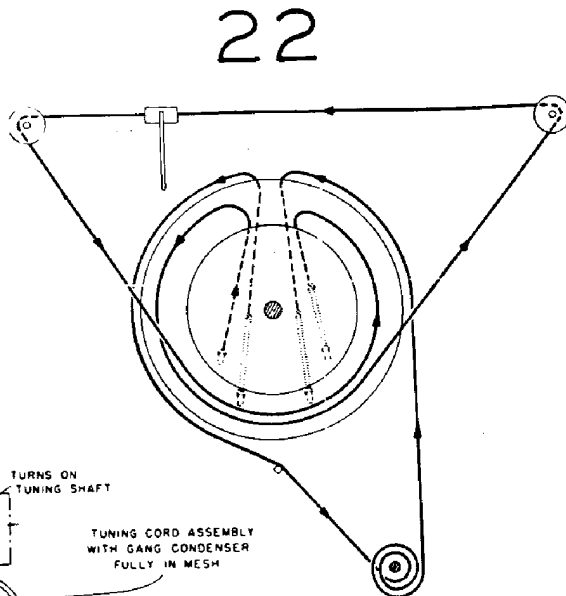
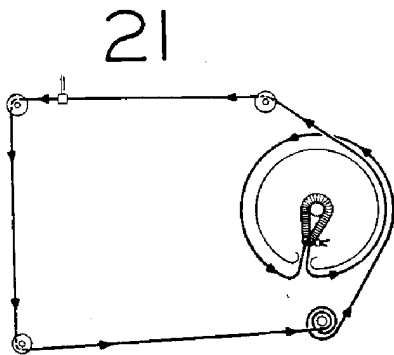
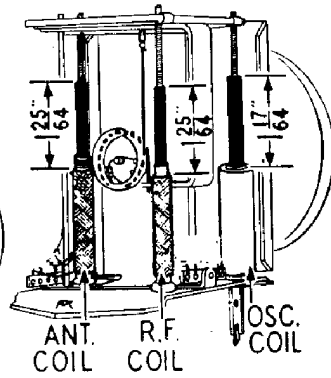
11



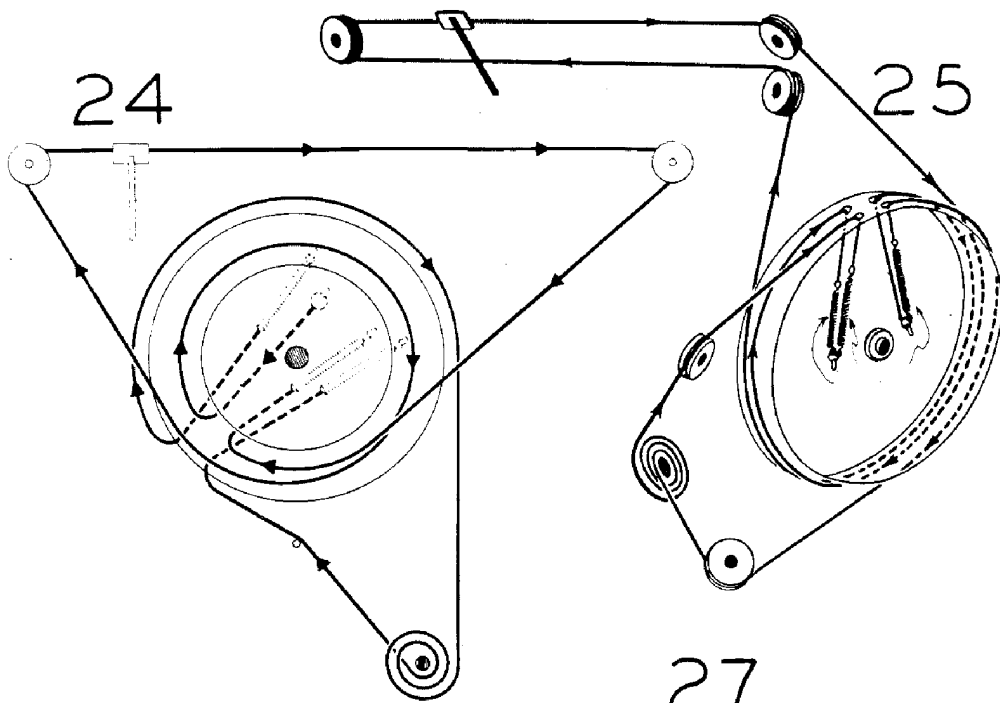




To string dial cord, turn the main drive drum to maximum counter-clockwise position

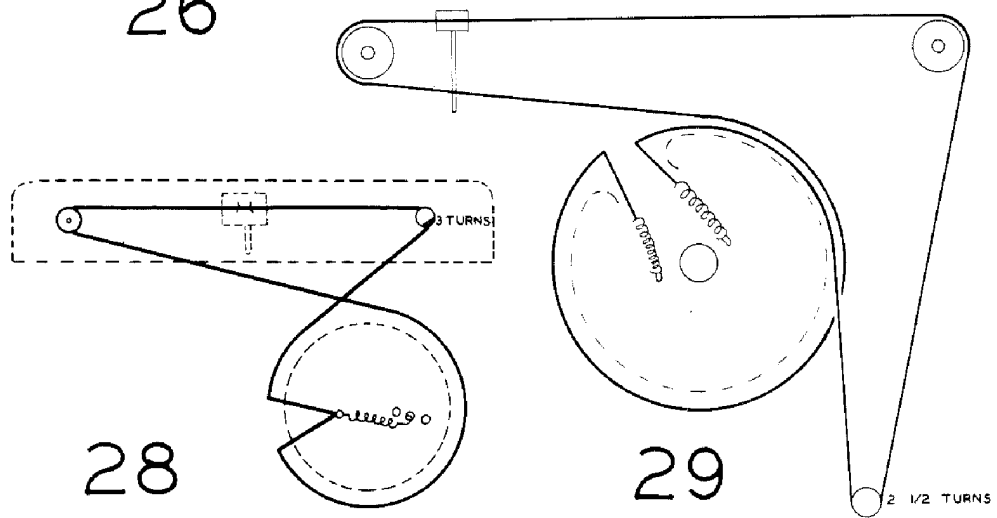


TUNING CORD ASSEMBLY WITH GANG CONDENSER FULLY IN MESH



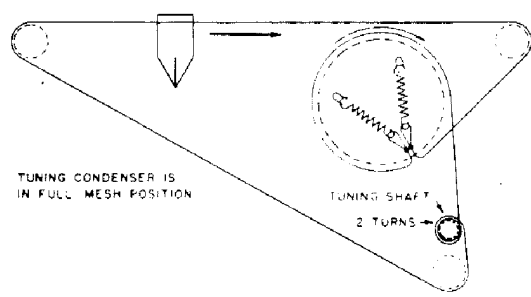
26

27



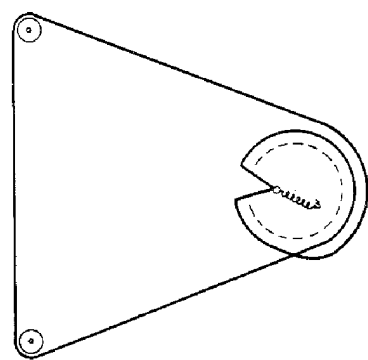
28

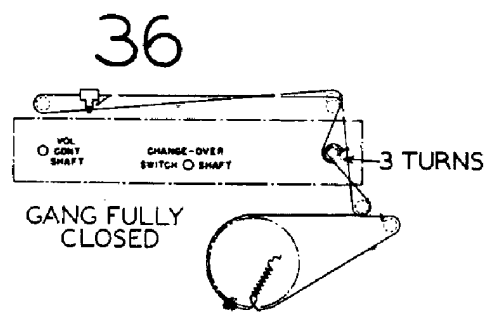
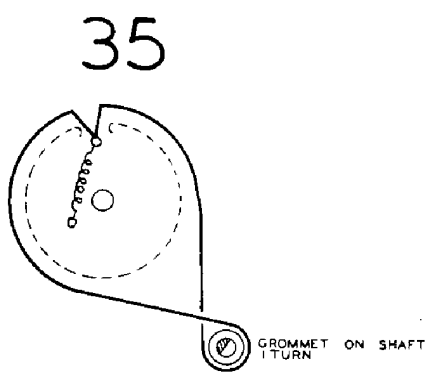
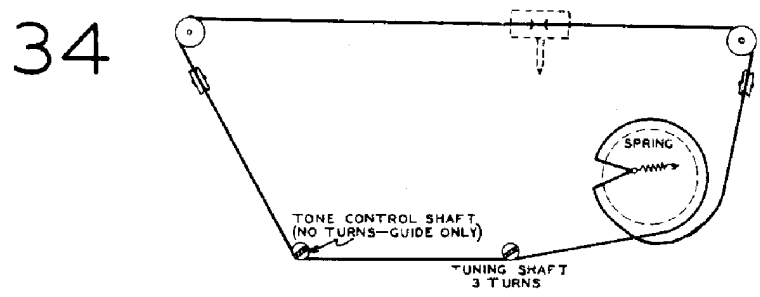
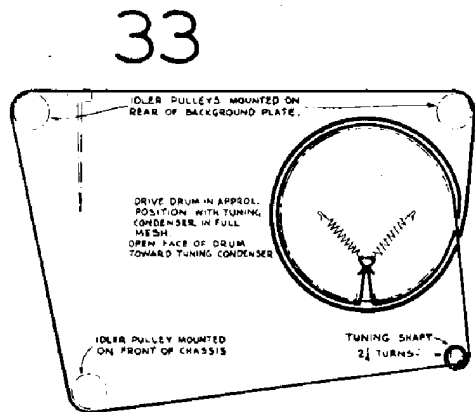
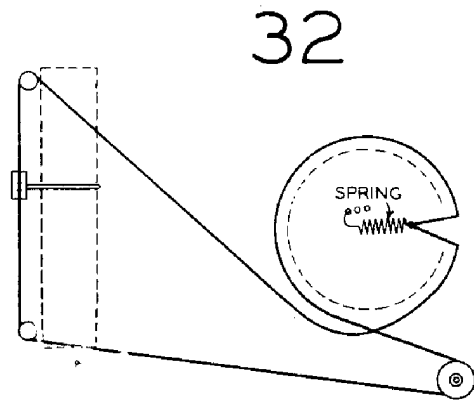
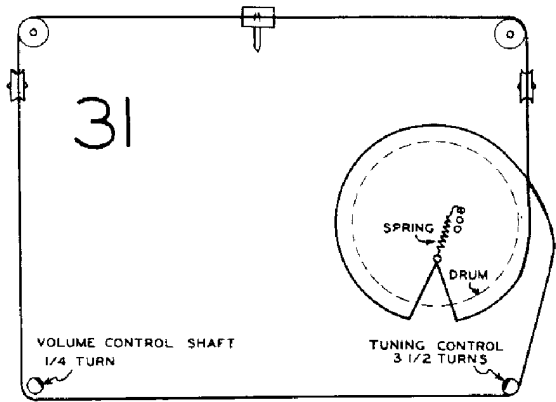
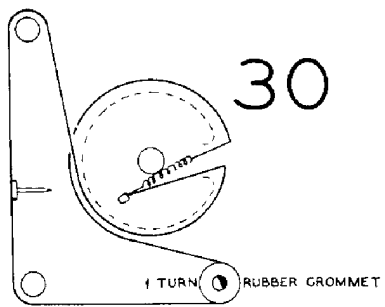
29

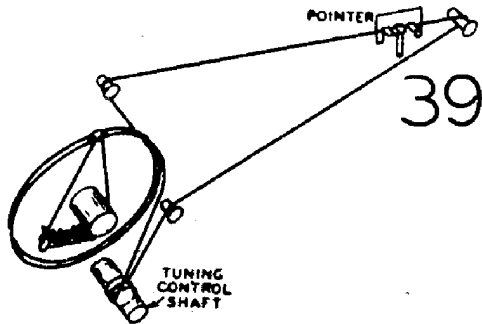
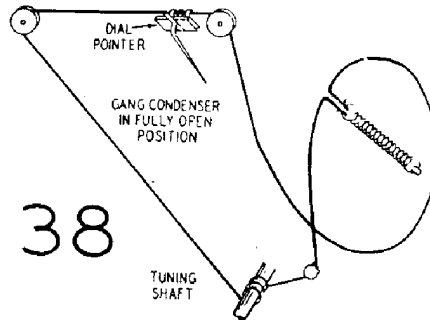
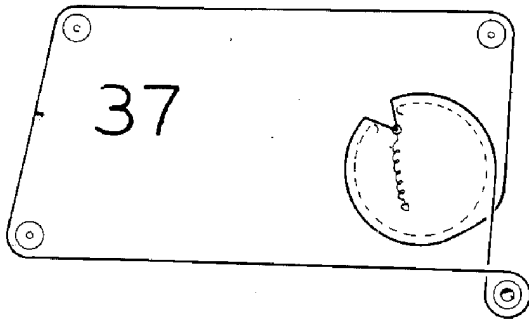


TUNING CONDENSER IS IN FULL MESH POSITION

TUNING SHAFT
2 TURNS

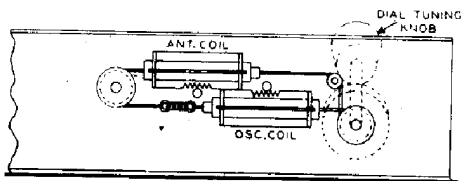




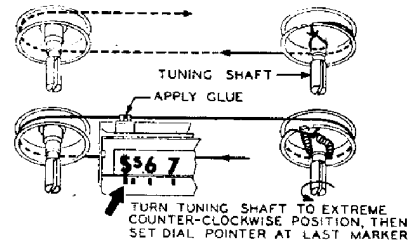


40

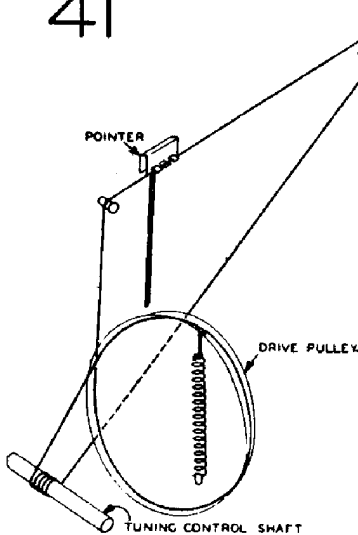
When tying the string to the tension spring make sure that the spring takes up all slack.



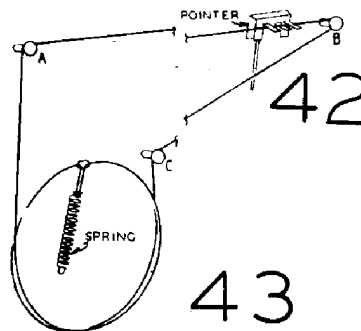
View of Tuning Coil Assembly.



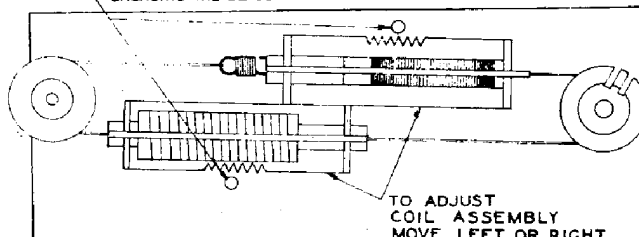
41



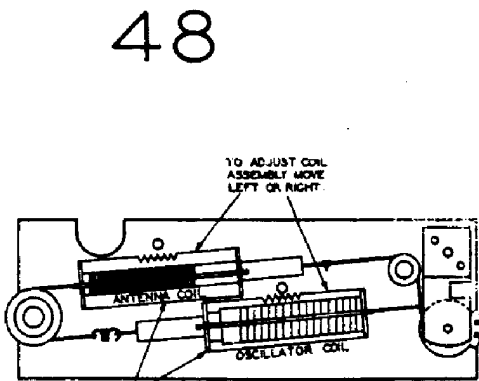
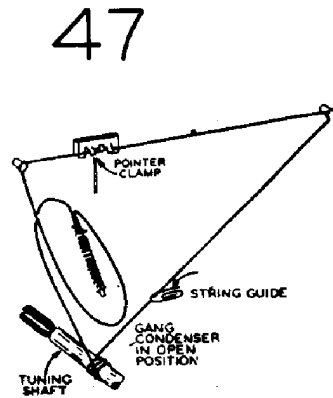
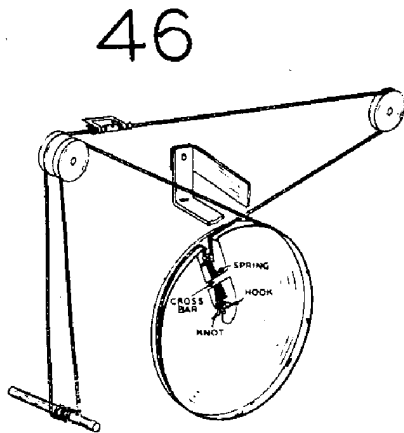
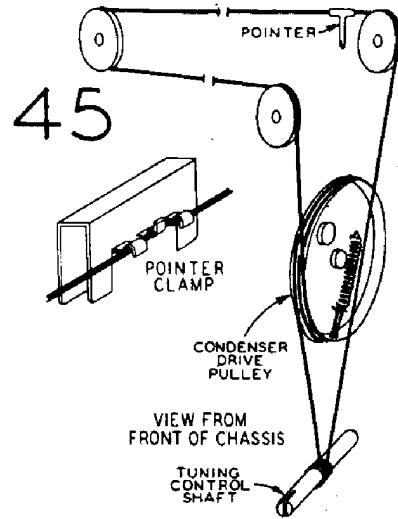
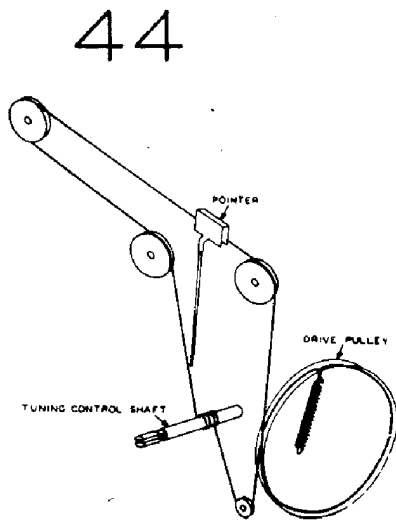
Turn gang condenser to full open position — See illustration. Use a new drive cord 42 inches in length.



NOTE "A" THE ANTENNA COIL ASSEMBLY IS MADE SO THAT IT IS MOVABLE LEFT OR RIGHT. WHEN MAKING THE ADJUSTMENT AS GIVEN IN THE ALIGNMENT PROCEDURE MOVE THE COIL ASSEMBLY VERY SLOWLY. IT CAN BE MOVED BY HAND OR BY PIVOTING ONE EDGE OF THE BLADE OF A SCREWDRIVER IN THE HOLE AND ENGAGING THE BLADE IN THE GEAR TEETH OF THE COIL FORM.

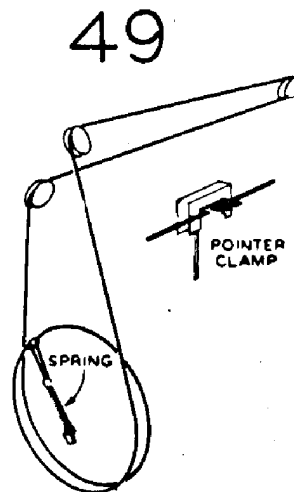


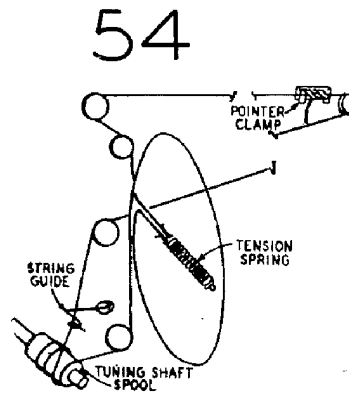
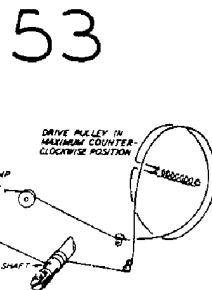
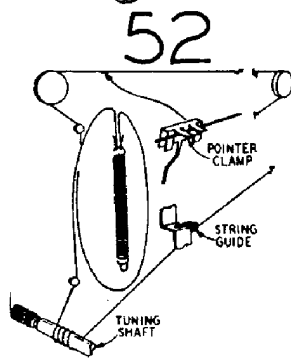
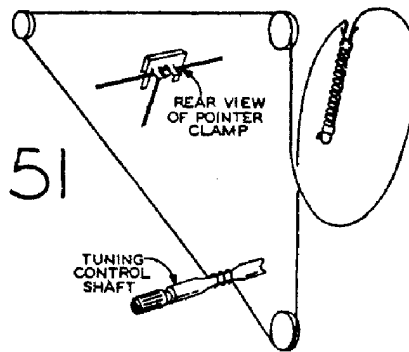
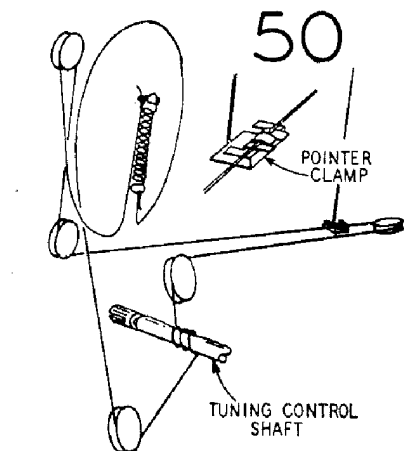
TO ADJUST COIL ASSEMBLY MOVE LEFT OR RIGHT



NOTE: THE ANTENNA COIL ASSEMBLY IS MADE SO THAT IT IS MOVABLE LEFT OR RIGHT. WHEN MAKING THE ADJUSTMENT AS GIVEN IN THE ALIGNMENT PROCEDURE MOVE COIL ASSEMBLY VERY SLOWLY.

COIL ASSEMBLY VIEW

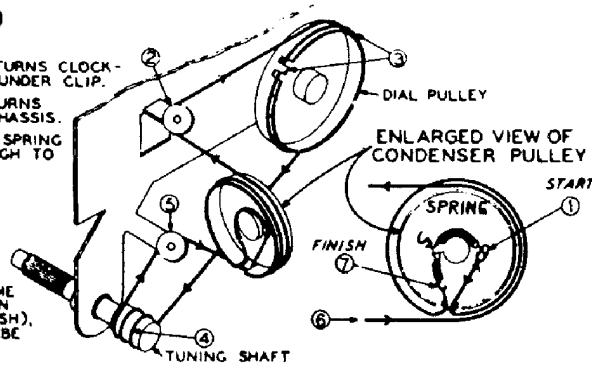




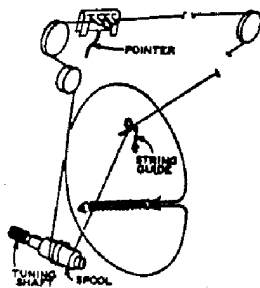
55

- IN STEP 3, WIND $1\frac{1}{2}$ TURNS CLOCKWISE. PASS STRING UNDER CLIP.
- IN STEP 4, WIND 3 TURNS TOWARD FRONT OF CHASSIS.
- IN STEP 7, BE SURE SPRING IS STRETCHED ENOUGH TO TAKE UP ALL SLACK.

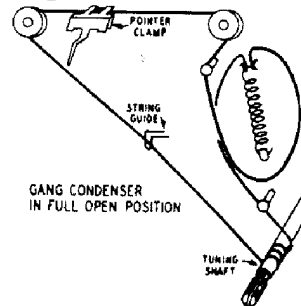
IMPORTANT!
WHEN CONDENSER PULLEY IS IN EXTREME CLOCKWISE POSITION (ROTORS OUT OF MESH), DIAL POINTER MUST BE AT 16 (1600 KC).

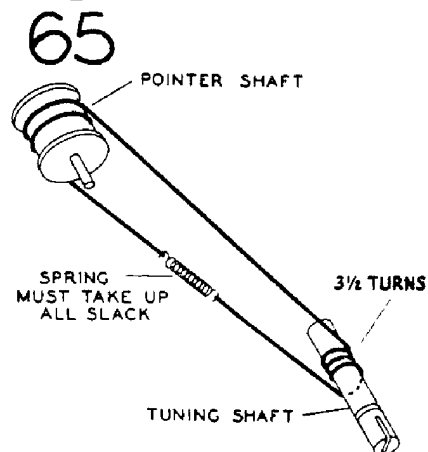
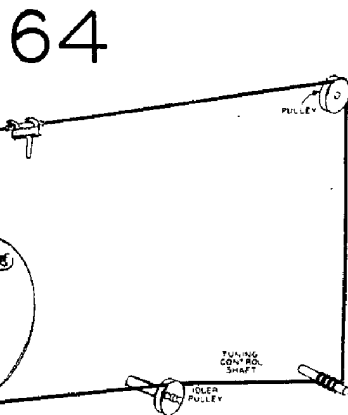
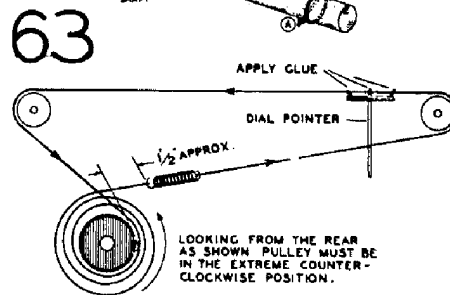
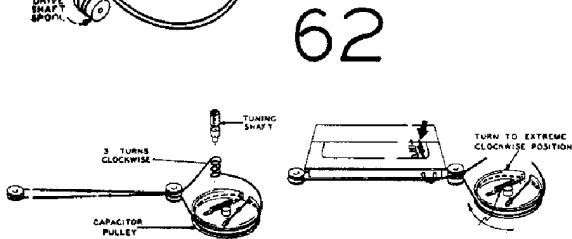
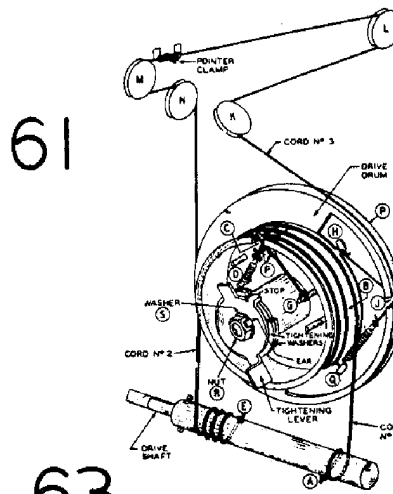
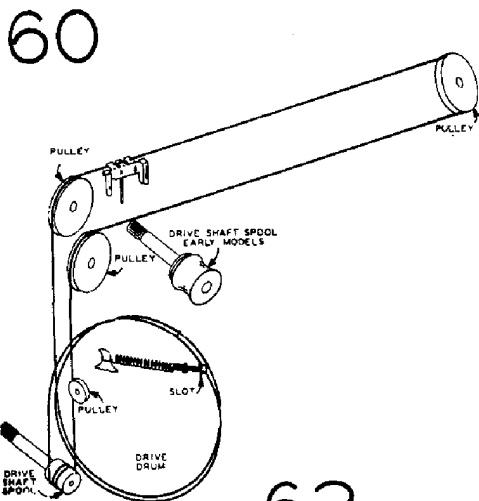
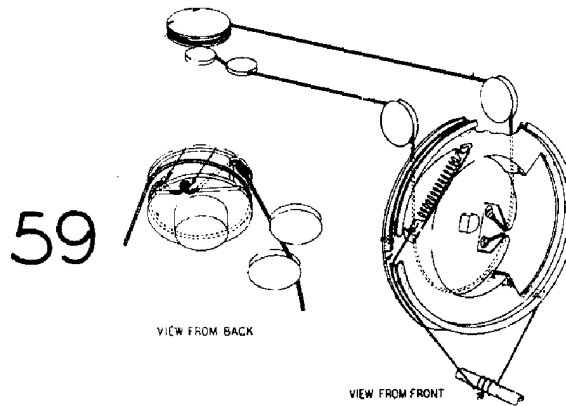
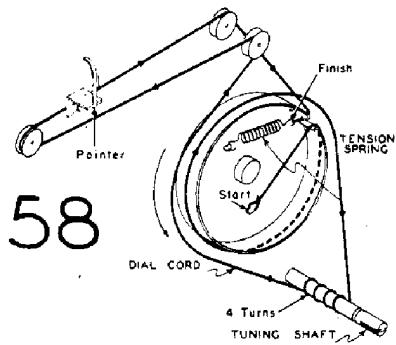


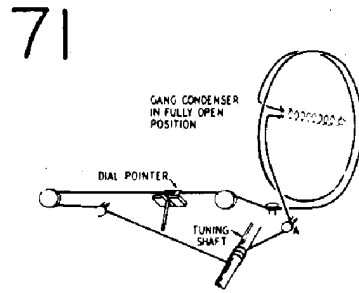
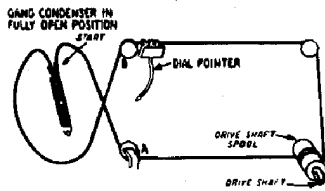
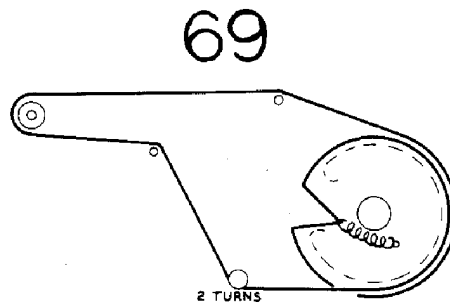
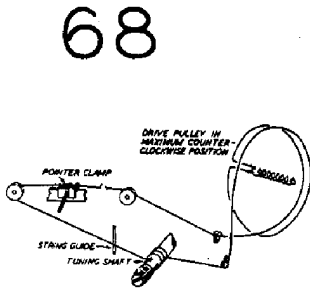
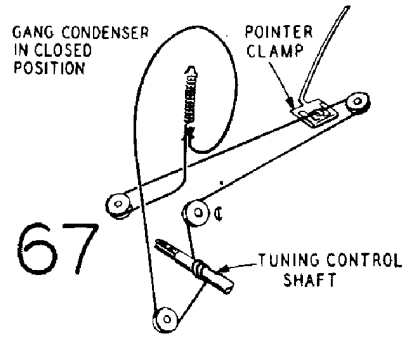
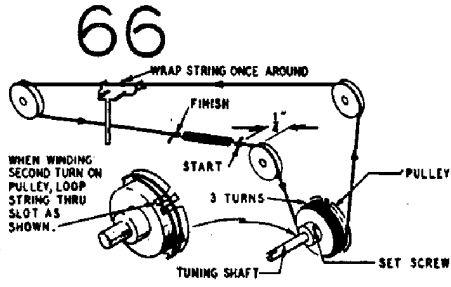
56



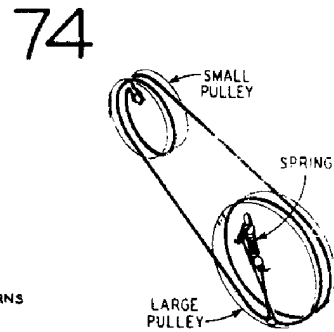
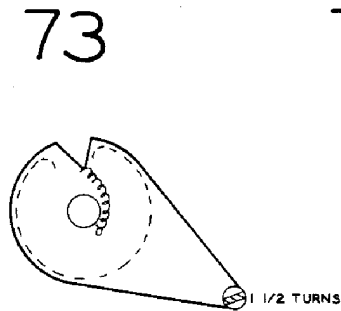
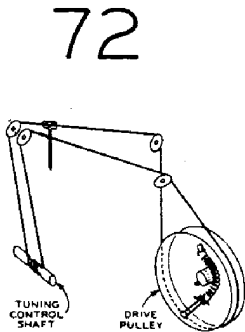
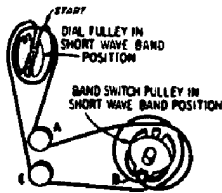
57

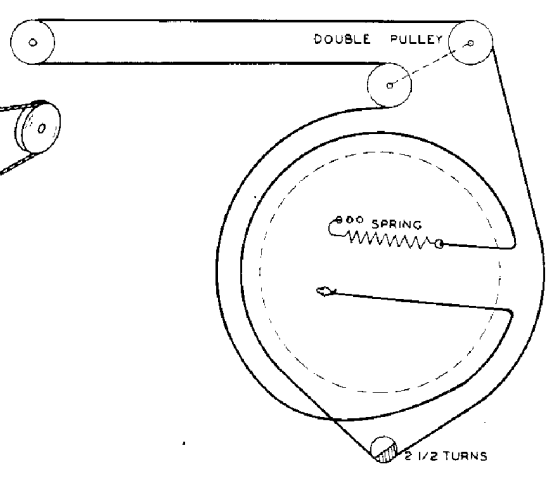
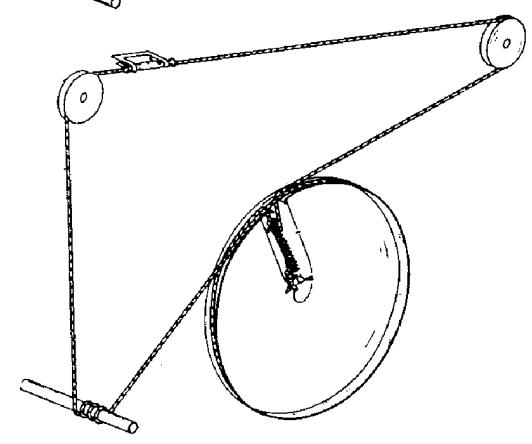
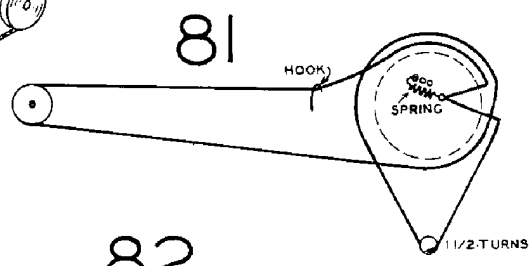
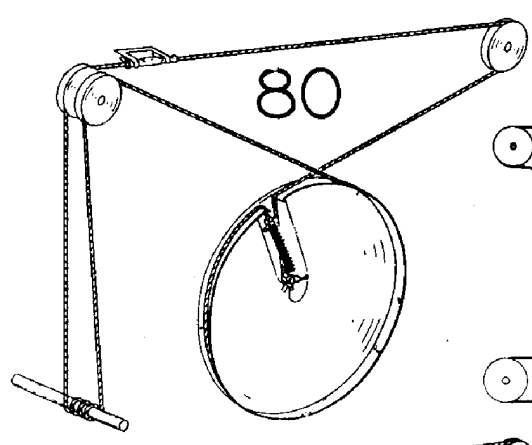
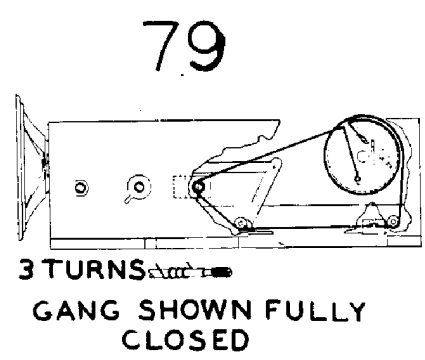
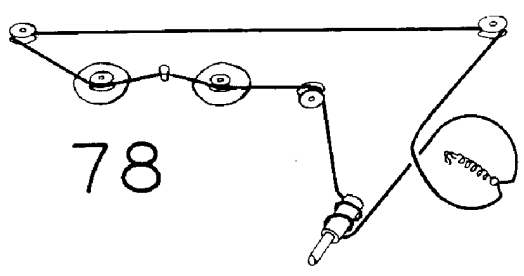
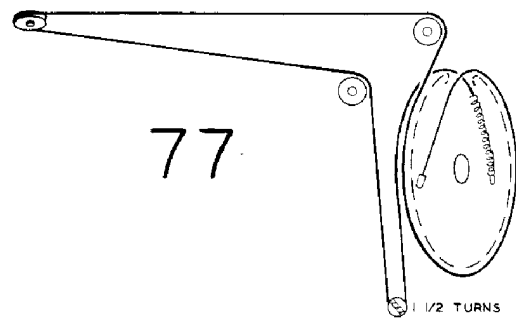
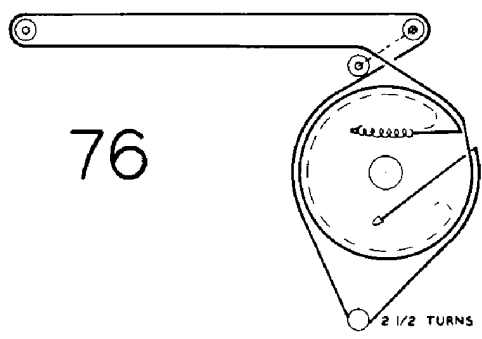




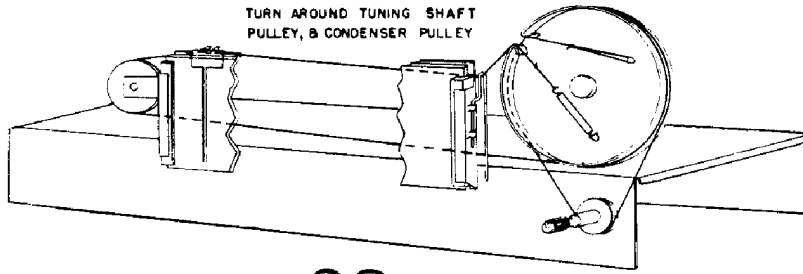


Both the dial pulley and the band switch pulley must be turned to the short wave band positions as shown in the illustration. Install the new cord exactly as shown then change the position of the band switch several times and note the movement of the dial.



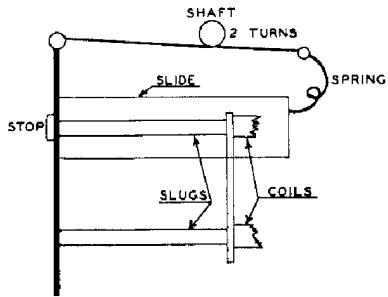


NOTE STRING MAKES ONE COMPLETE
TURN AROUND TUNING SHAFT
PULLEY, & CONDENSER PULLEY



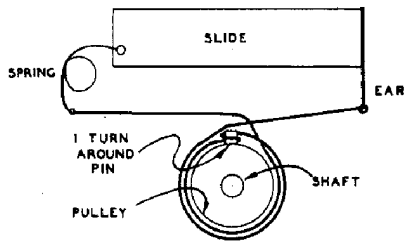
83

84

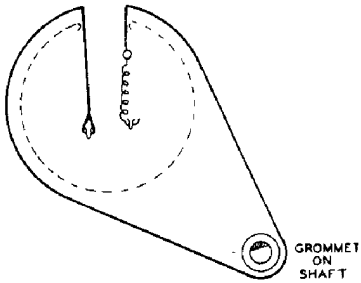


86

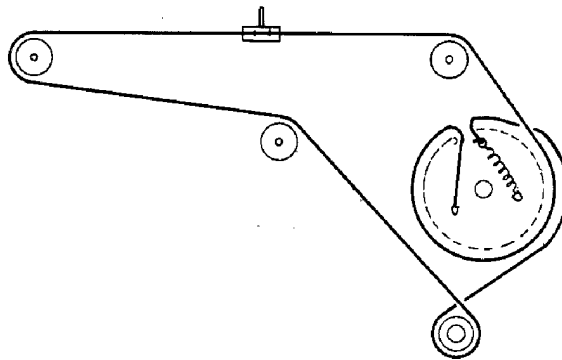
85



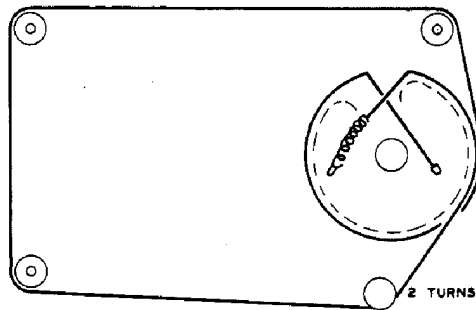
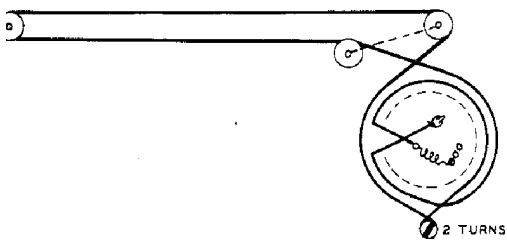
87

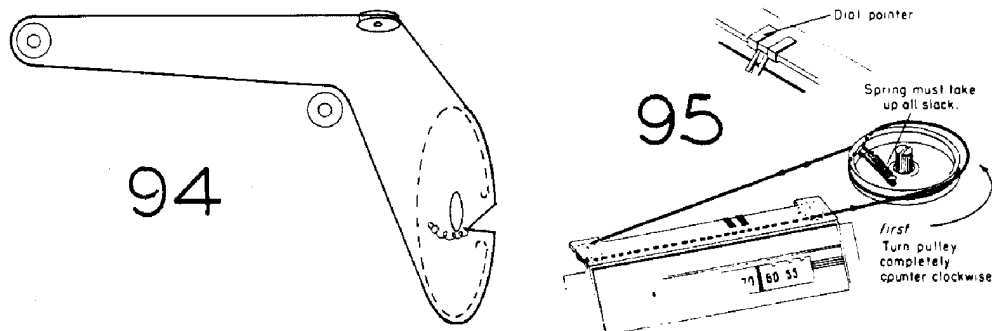
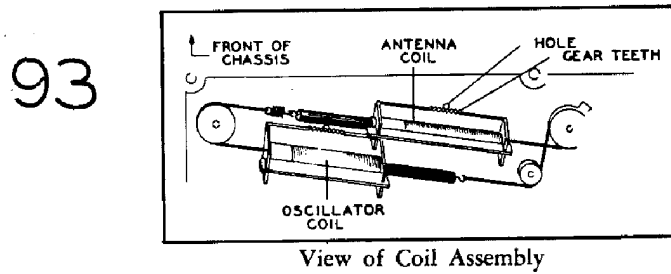
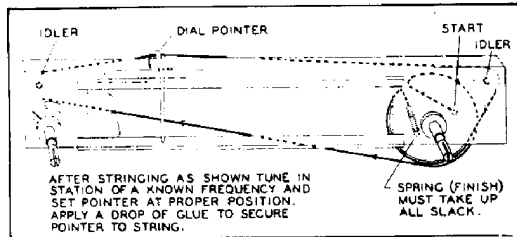
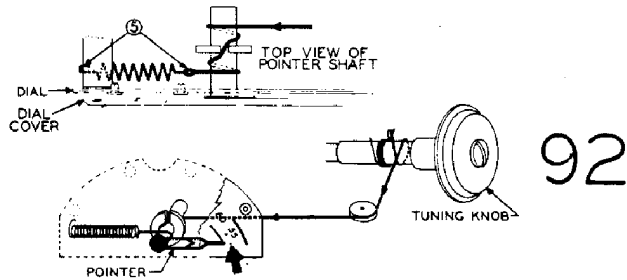
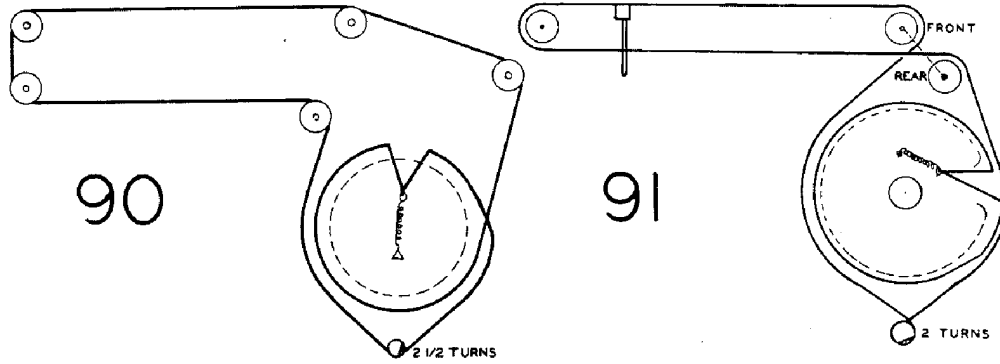


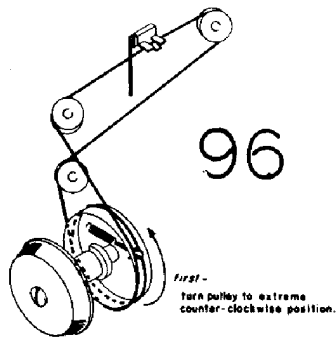
88



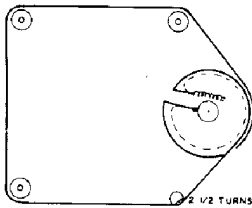
89



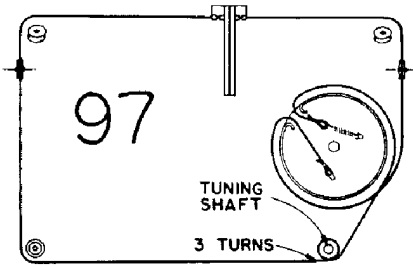




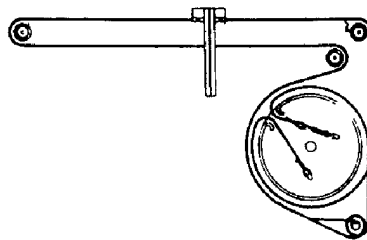
98



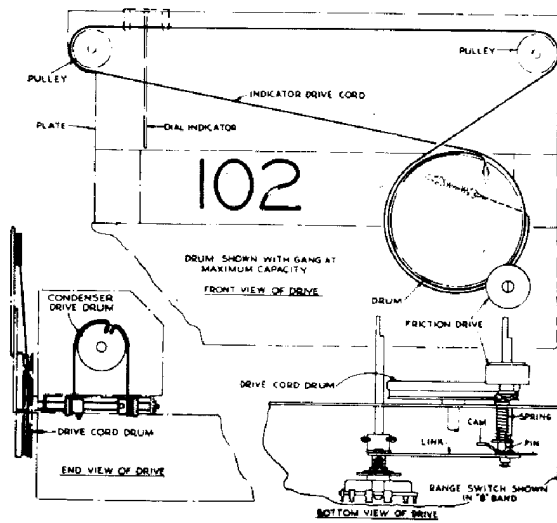
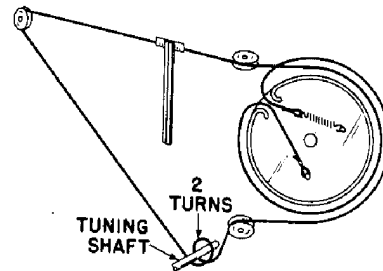
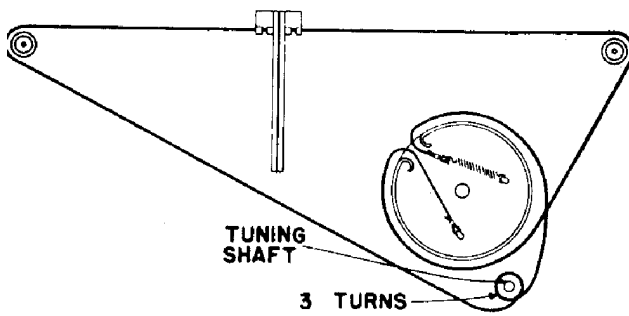
100



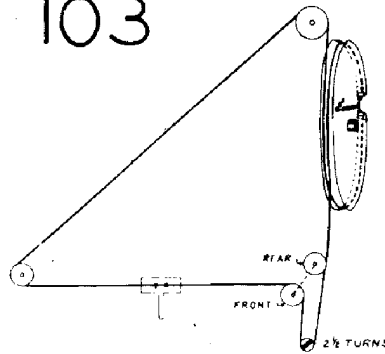
99



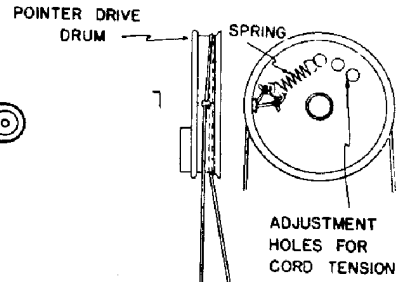
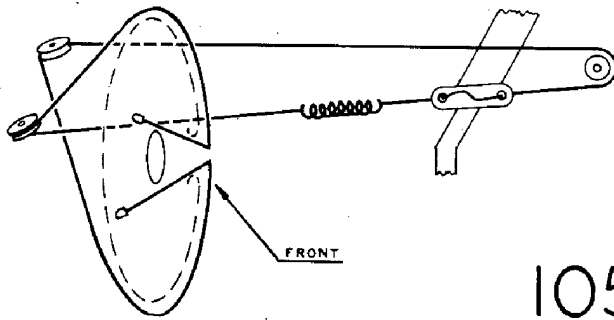
101



103



104

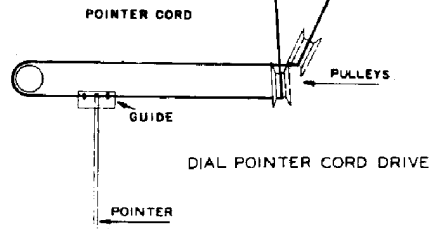
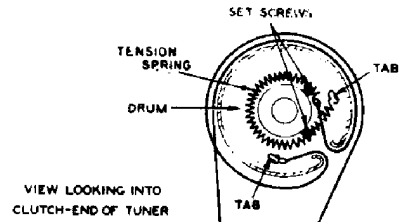
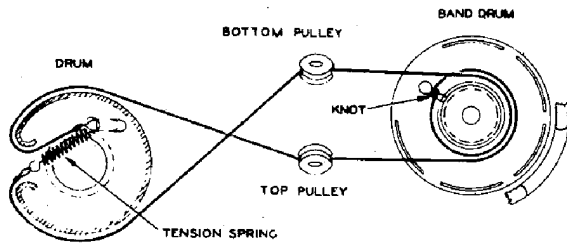


105

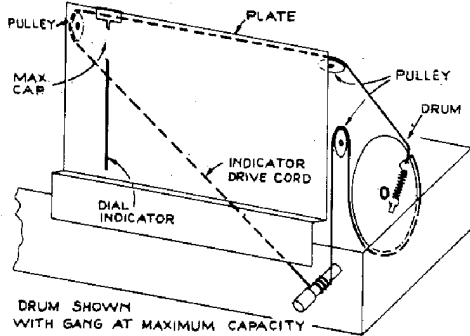


106

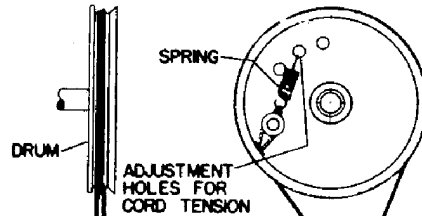
CORD DRIVE FOR BAND INDICATOR DRUM



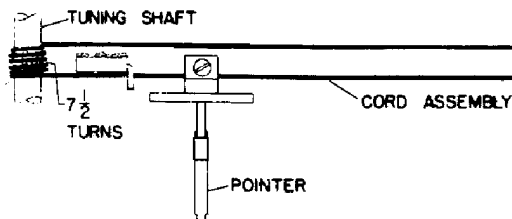
107



DRUM SHOWN WITH GANG AT MAXIMUM CAPACITY

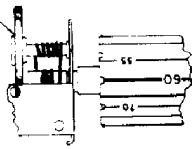


108

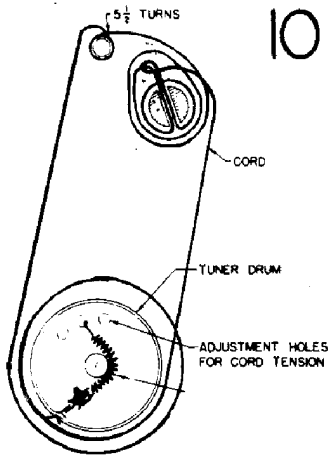
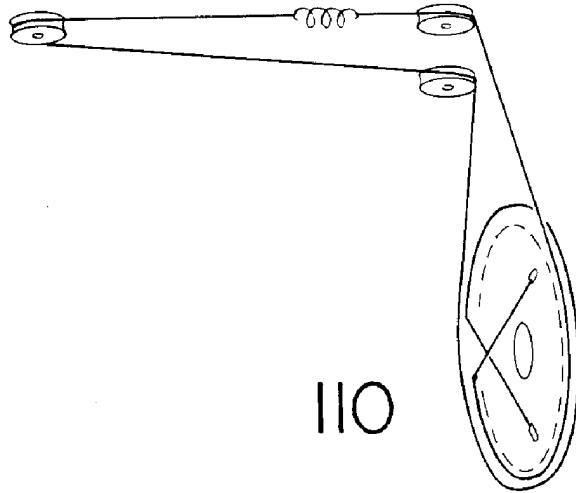


POSITION OF DRUM ASSEMBLY WITH COIL CORES FULLY IN.

TUNING KNOB & SHAFT ASSEMBLY



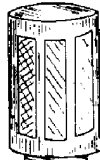
TO RECALIBRATE AFTER REPLACING DRIVE STRING, TURN COIL CORES FULLY IN, THEN HOLD DIAL SHAFT STATIONARY WITH PLIERS, AND REVOLVE DIAL WITH FINGERS UNTIL THE 60 CALIBRATION LINE IS IN RELATION SHOWN TO BRACKET



109

110

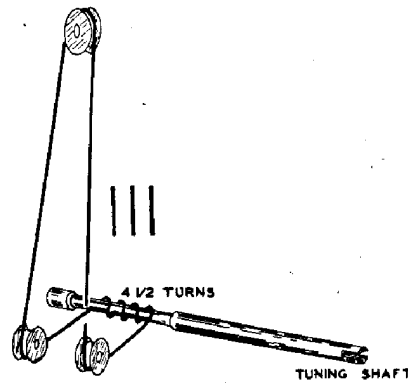
TONE INDICATOR DRUM



SPRING

SPRING

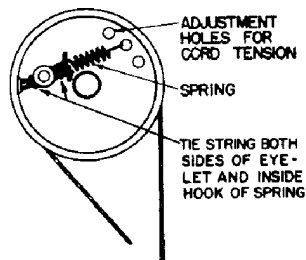
2 1/2 TURNS



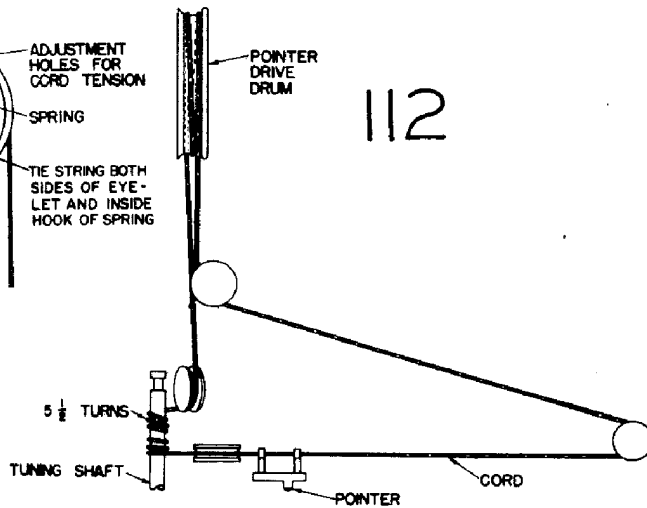
TUNING SHAFT

VOLUME

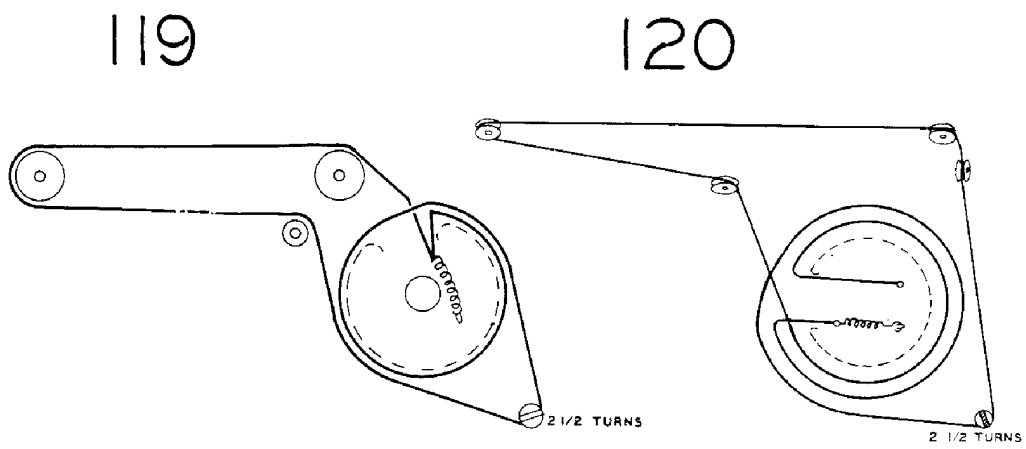
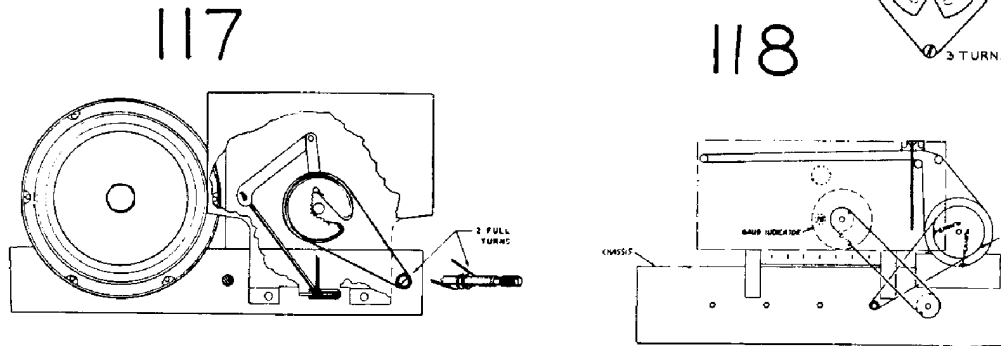
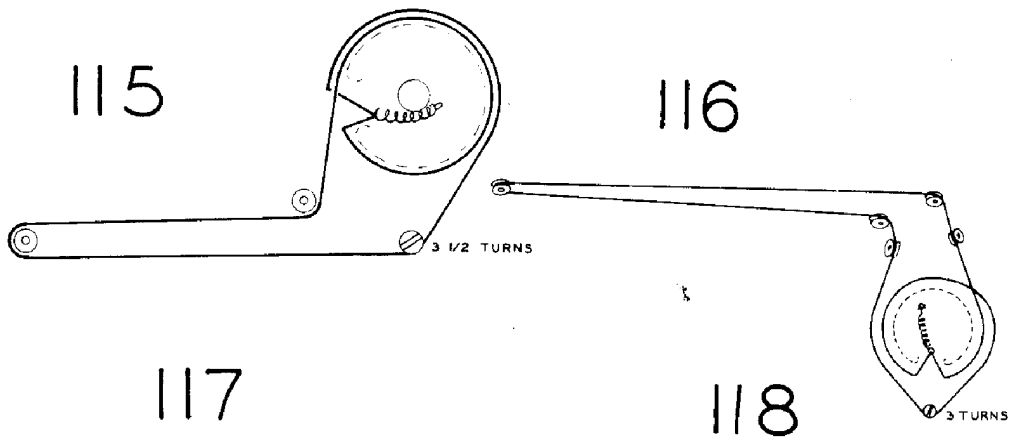
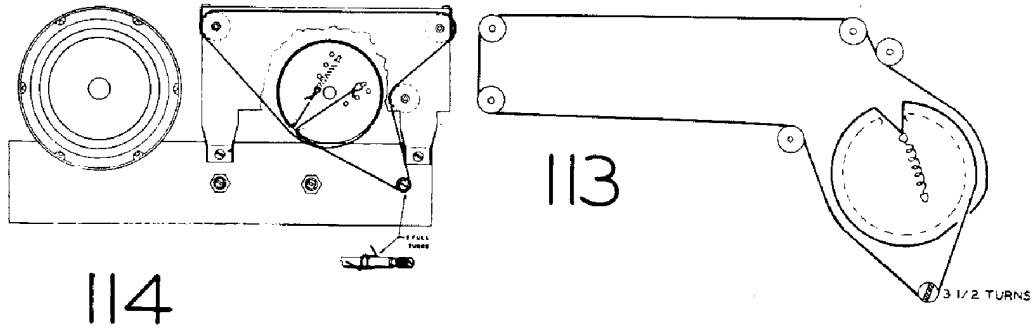
SPRING
TONE VOLUME

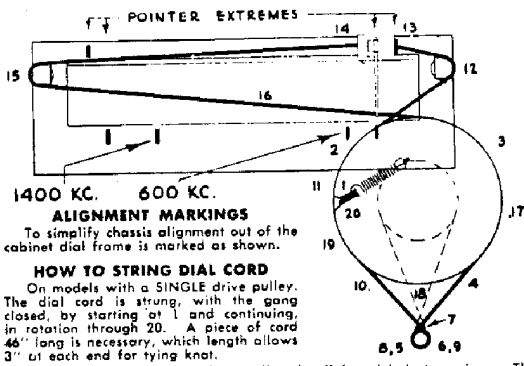


POSITION OF DRUM ASSEMBLY WITH COIL CORES FULLY IN.



112



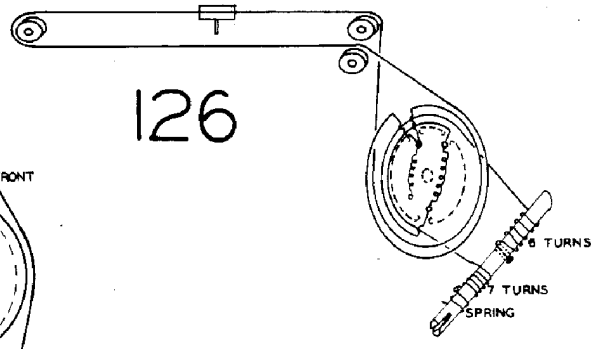
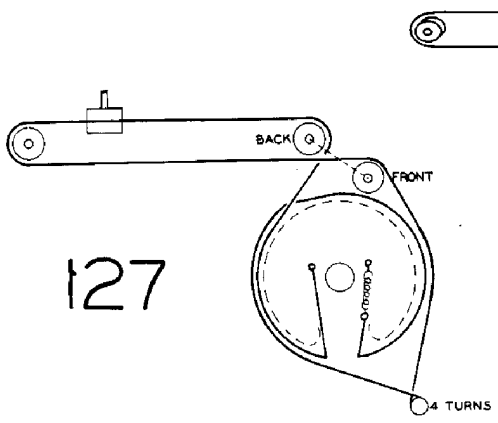
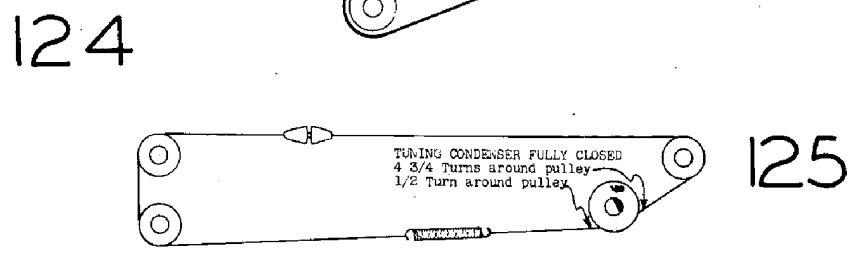
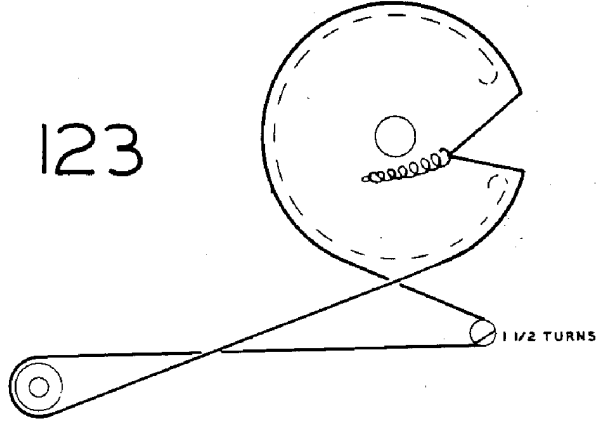
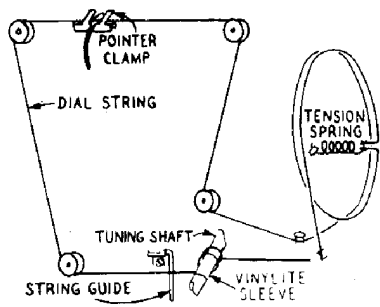
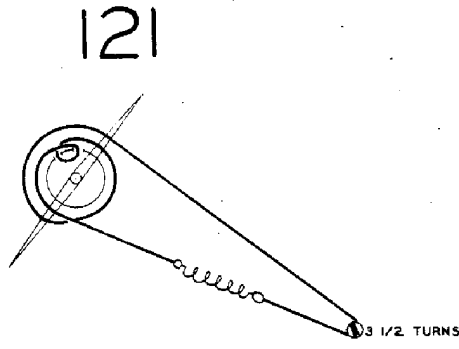


ALIGNMENT MARKINGS
To simplify chassis alignment out of the cabinet dial frame is marked as shown.

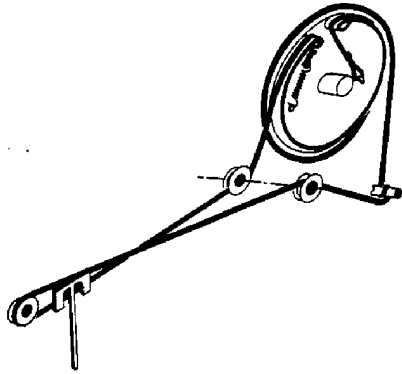
HOW TO STRING DIAL CORD
On models with a SINGLE drive pulley. The dial cord is strung, with the gang closed, by starting at 1 and continuing, in rotation through 20. A piece of cord 46" long is necessary, which length allows 3" at each end for tying knot.

On models with DOUBLE drive pulley the dial cord is in two pieces. The pointer cord is on the large pulley starting at 1 and continuing through 20 BUT in the following special order, 1, 2, 3, 4, 18, 19, 11, 12, 13, 14, 15, 6, 17, 18, 19, 20. The drive cord is on the smaller dotted pulley, in the dotted position.

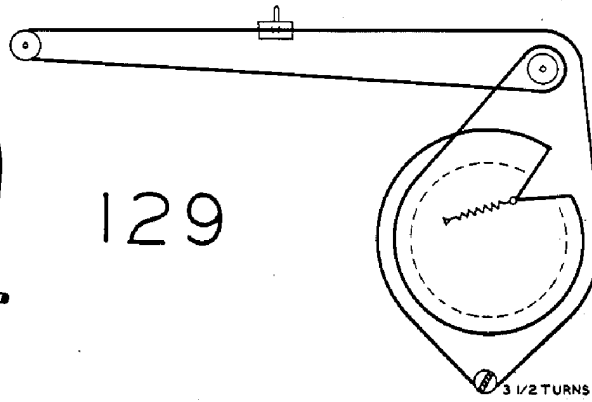
To clarify dial cord arrangement the dial frame is shown as transparent.



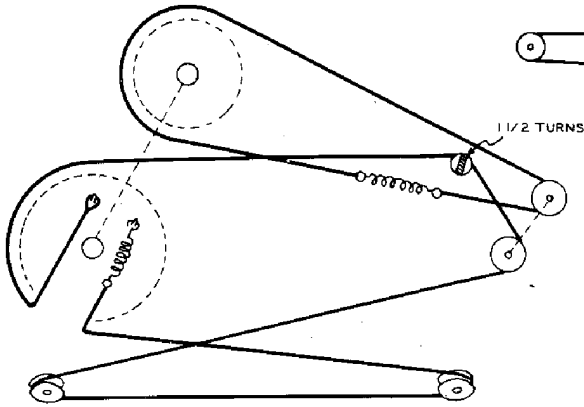
128



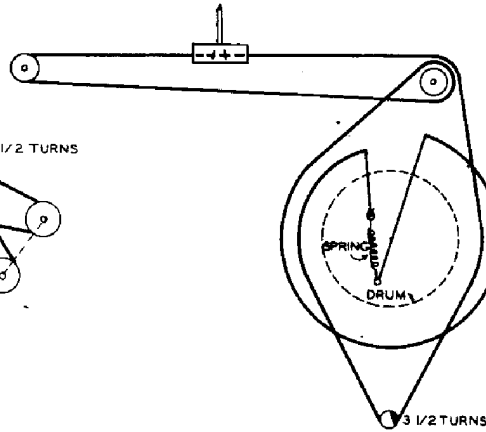
129



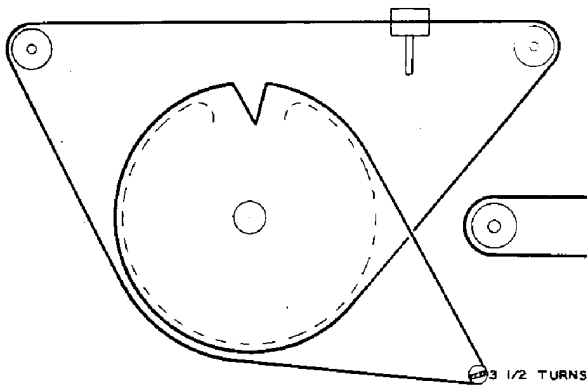
130



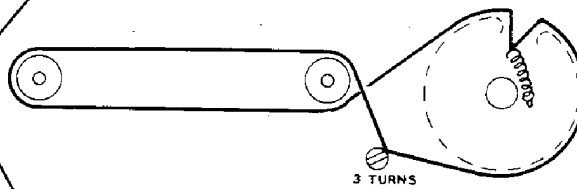
131

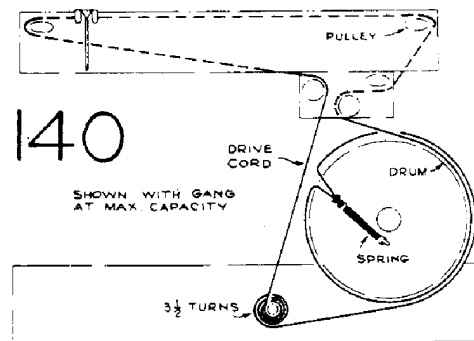
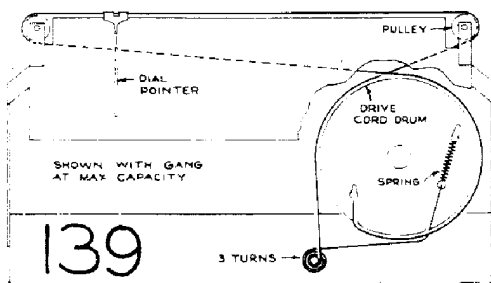
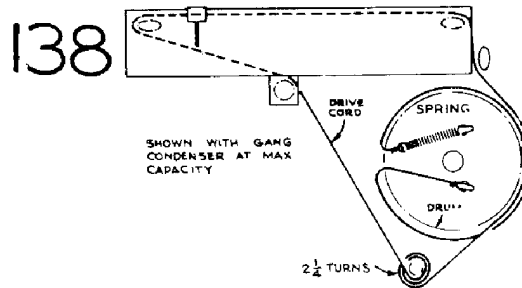
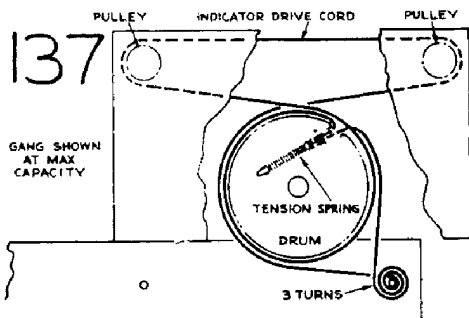
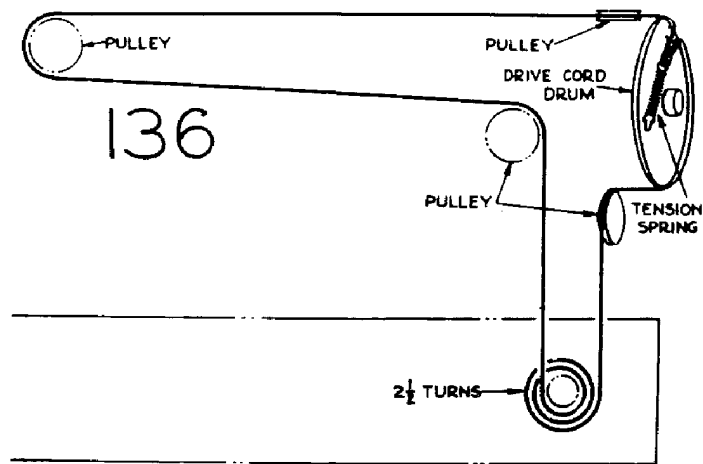
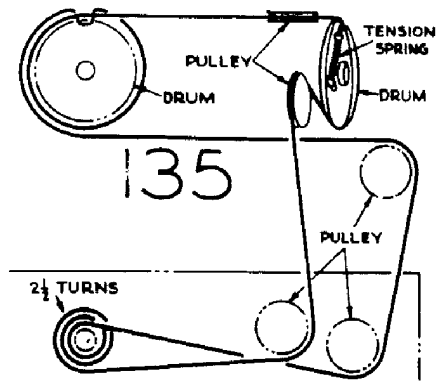
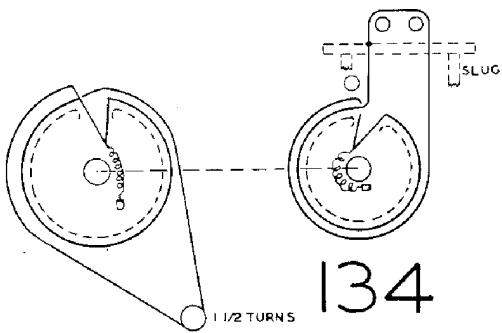


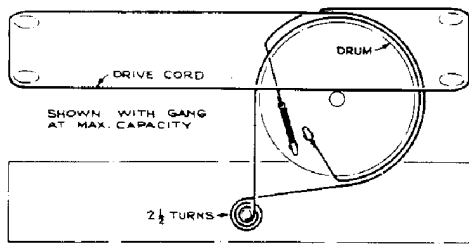
132



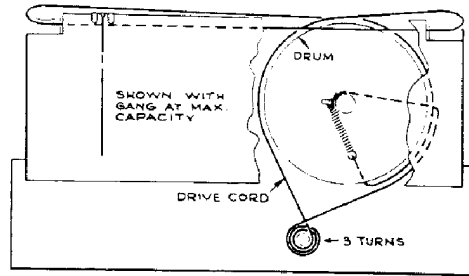
133



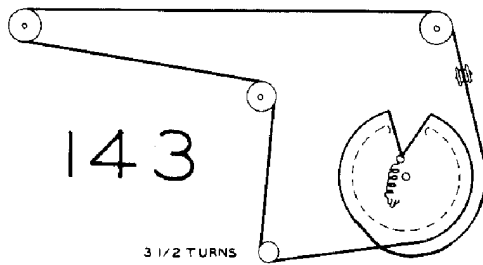




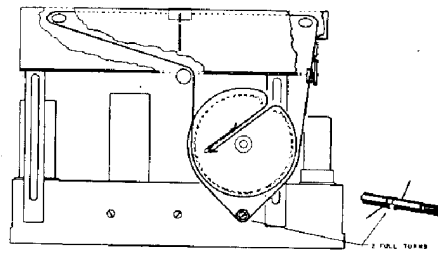
141



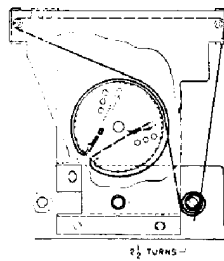
142



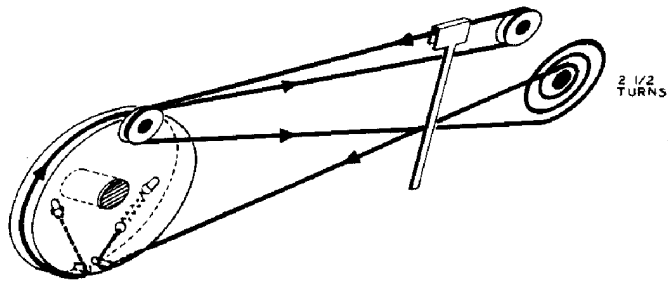
143



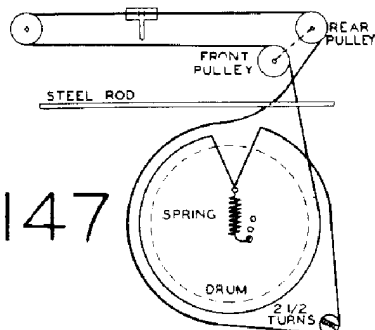
144



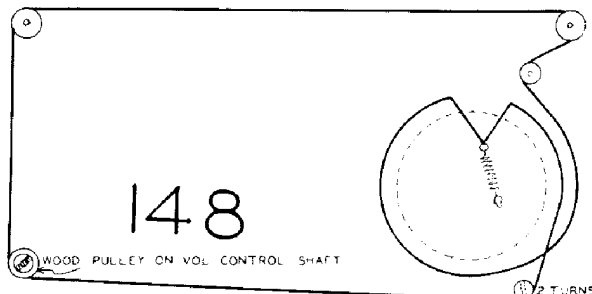
145



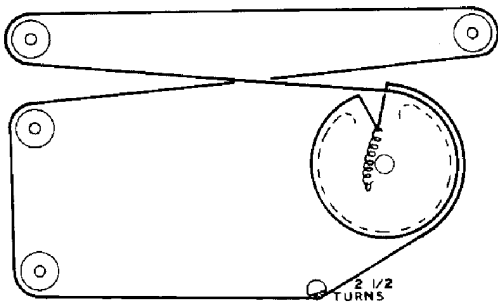
146



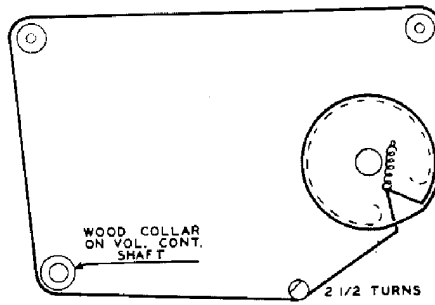
147



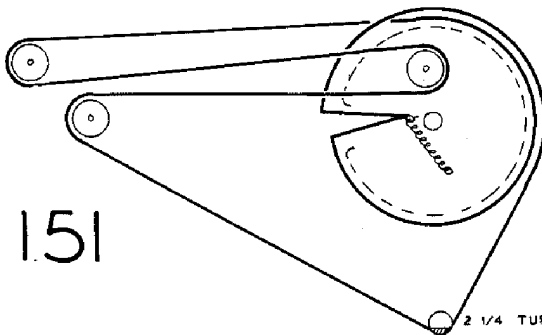
148



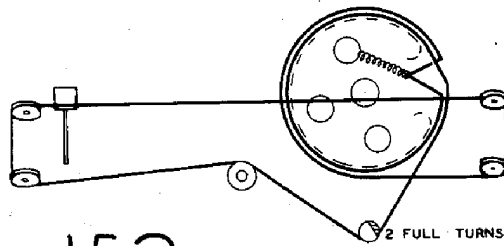
149



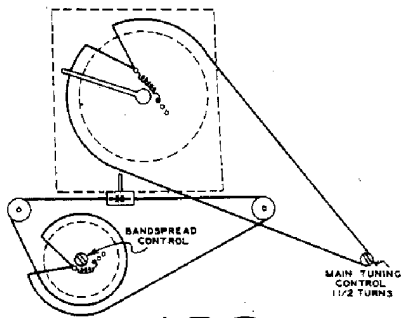
150



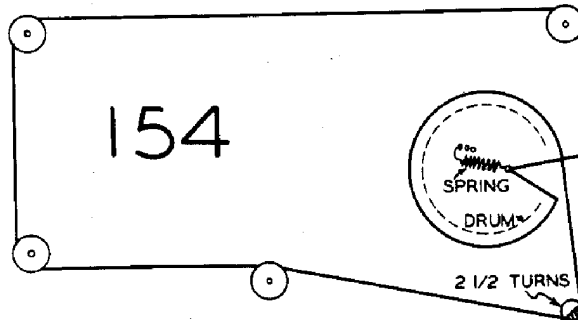
151



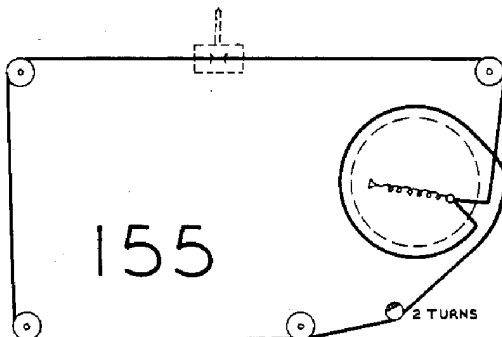
152



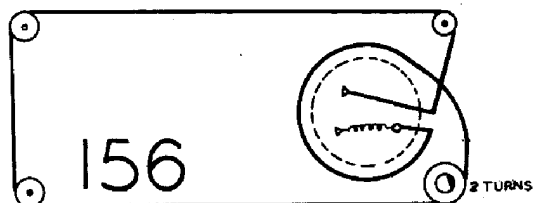
153



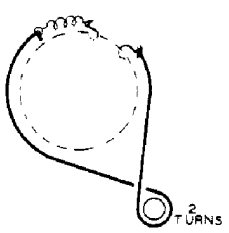
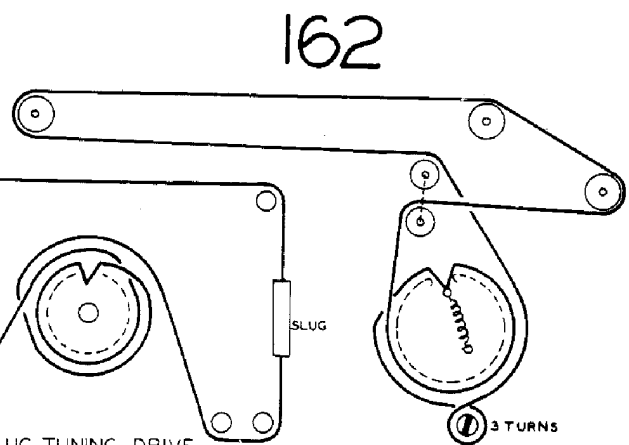
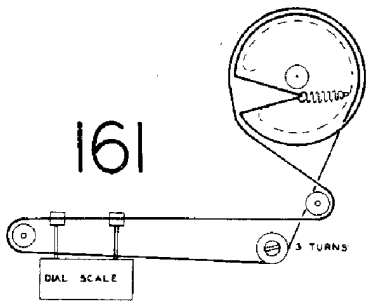
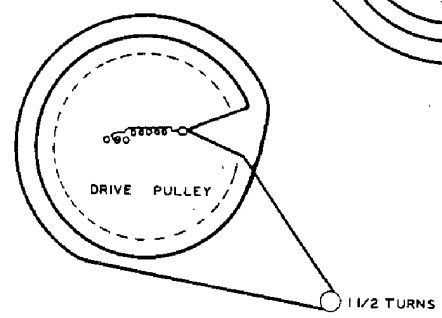
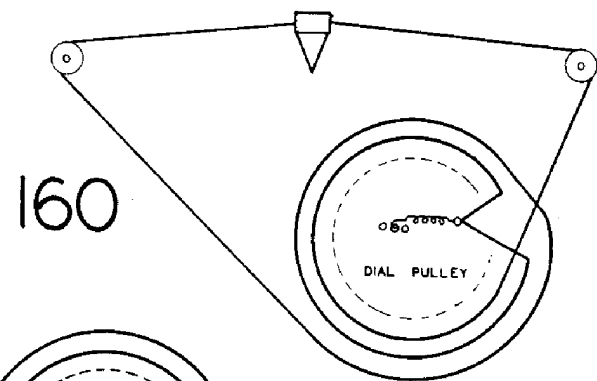
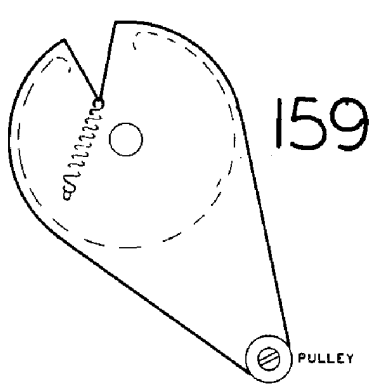
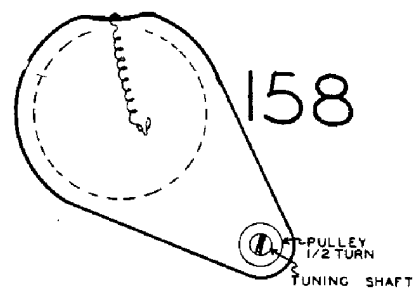
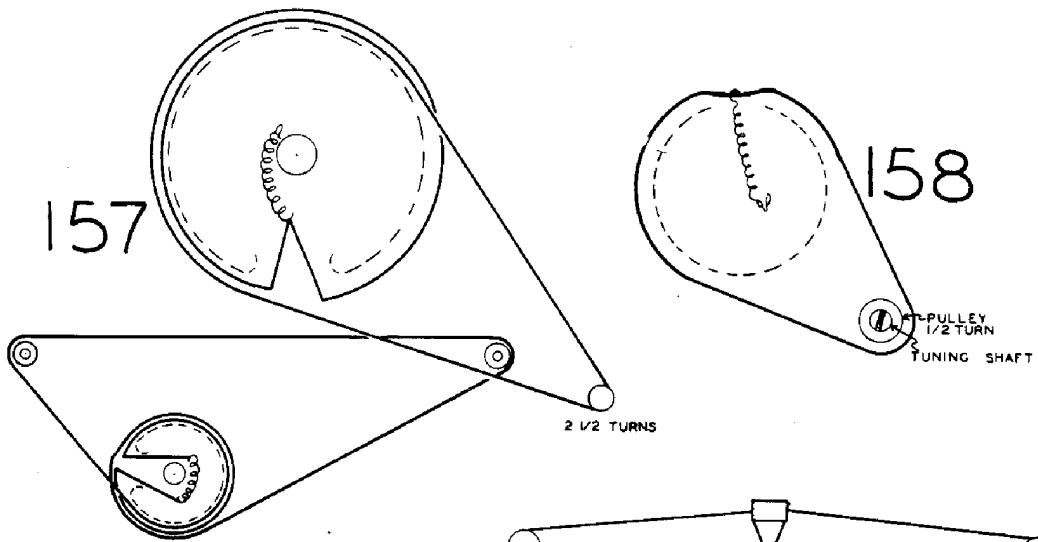
154



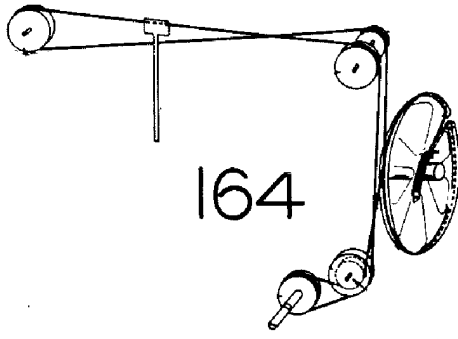
155



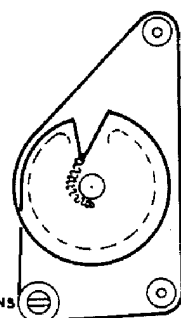
156



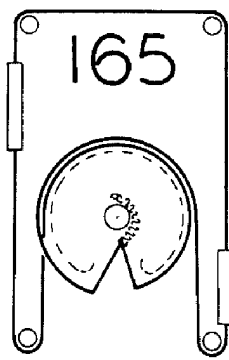
163



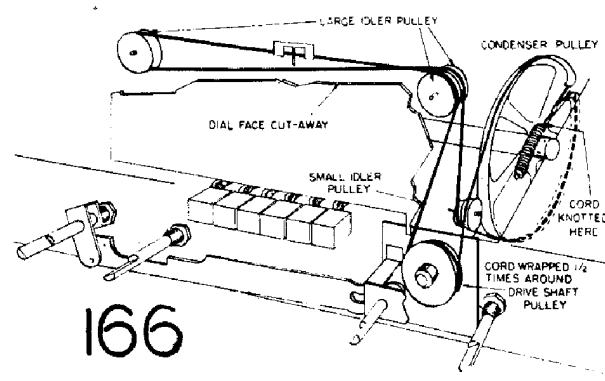
164



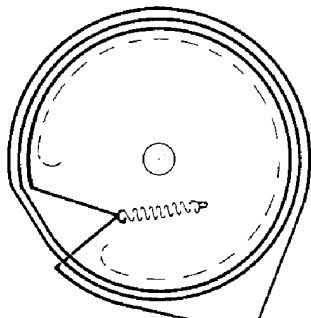
1/2 TURNS



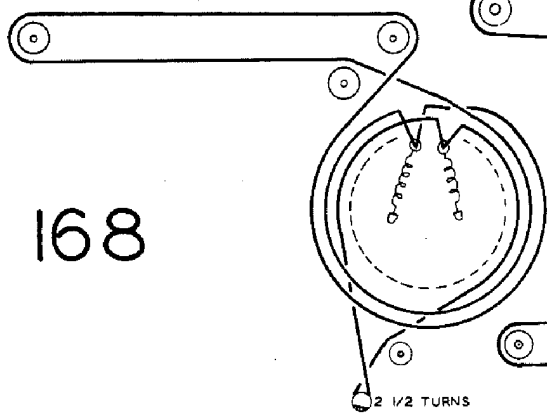
165



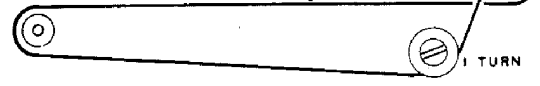
166



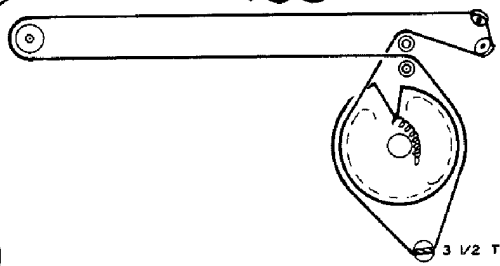
167



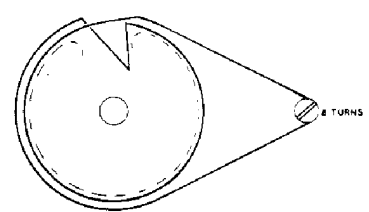
168



1 TURN

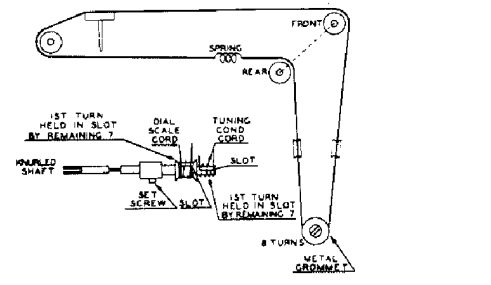


169



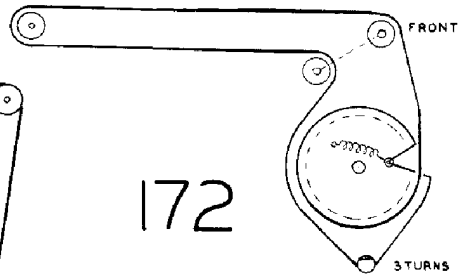
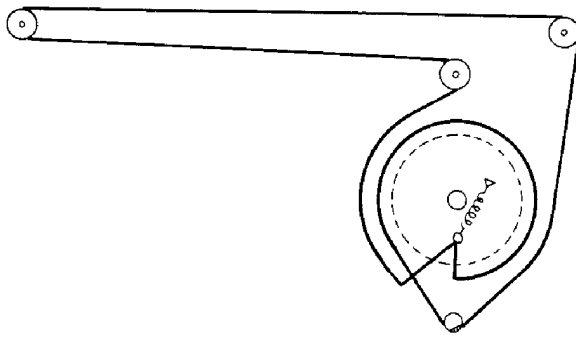
170

8 TURNS



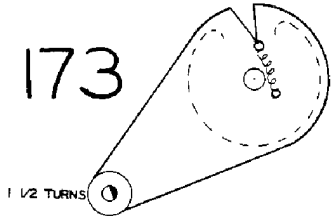
3 1/2 TURNS

171

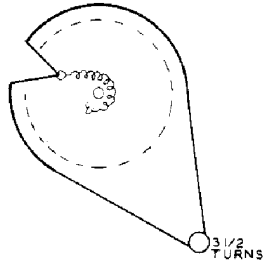


172

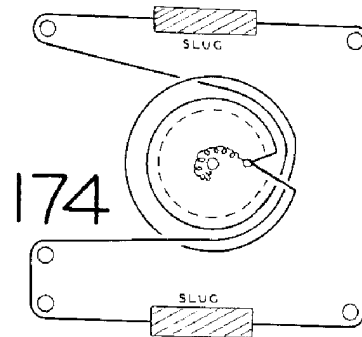
173



1 1/2 TURNS

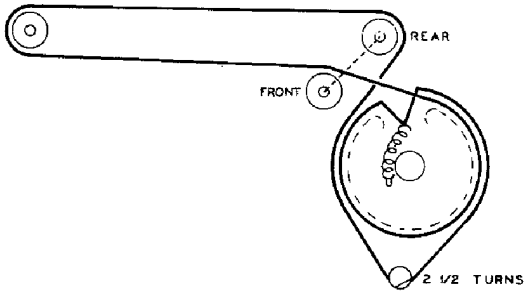


3 1/2 TURNS



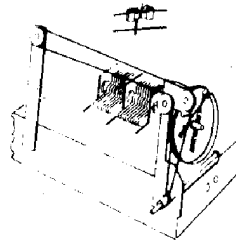
174

175

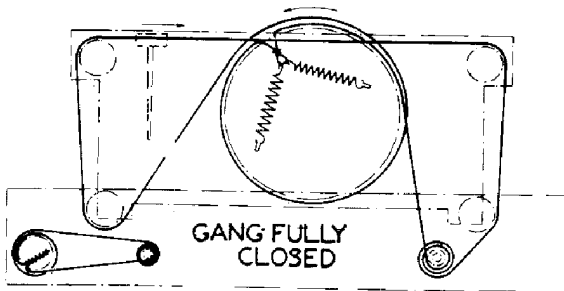


2 1/2 TURNS

176

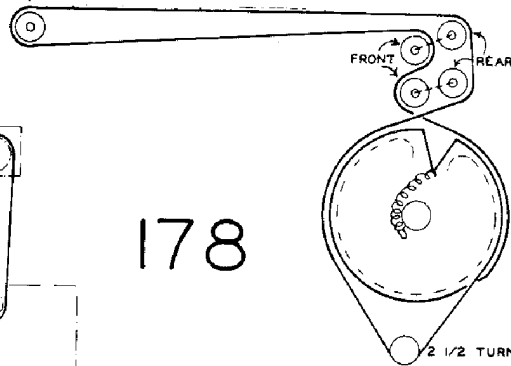


177



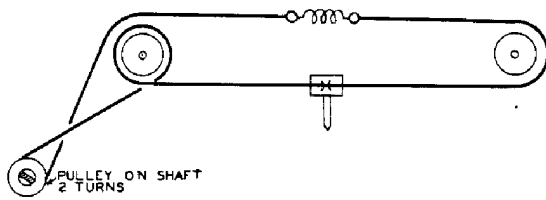
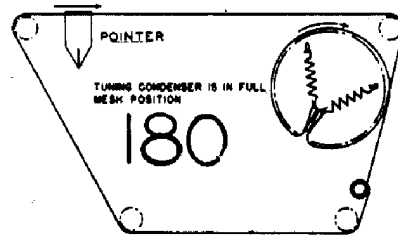
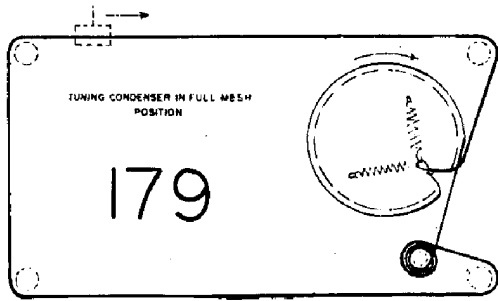
GANG FULLY CLOSED

VOLUME CONTROL
STRINGING
OFF POSITION

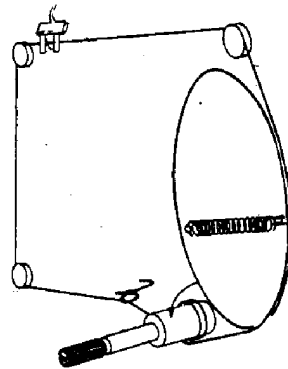


178

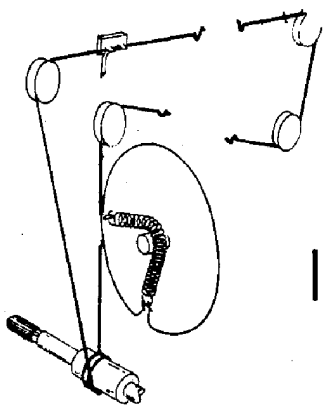
2 1/2 TURNS



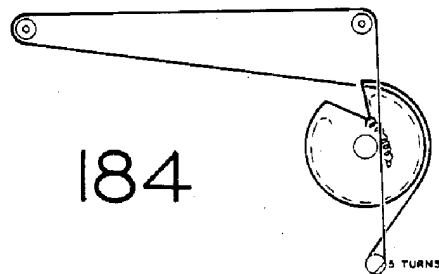
181



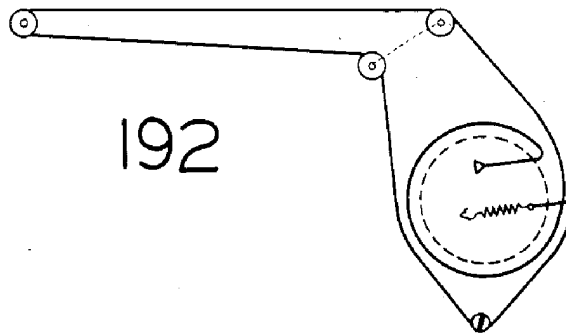
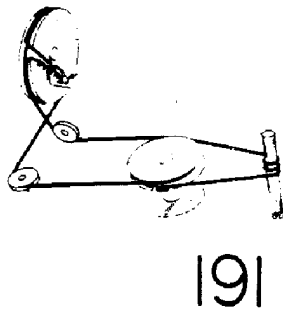
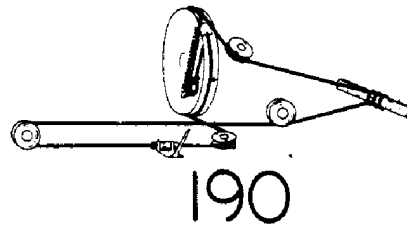
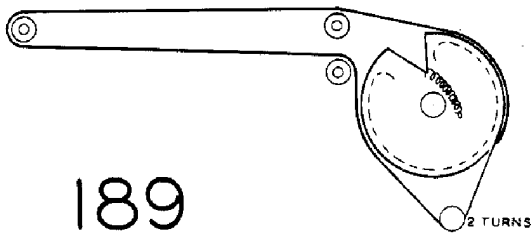
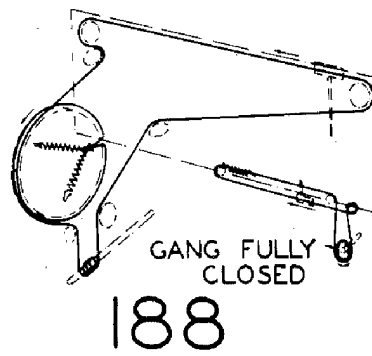
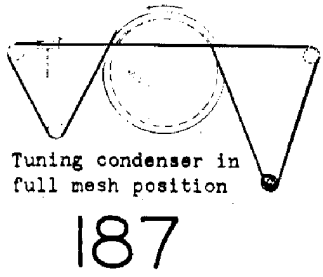
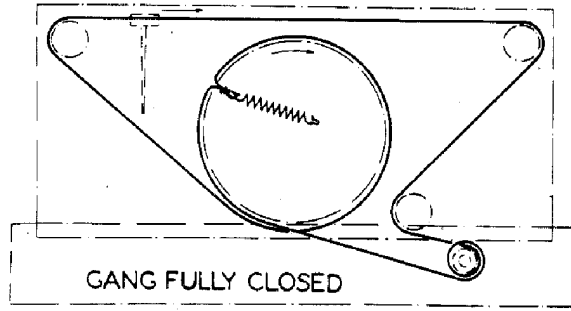
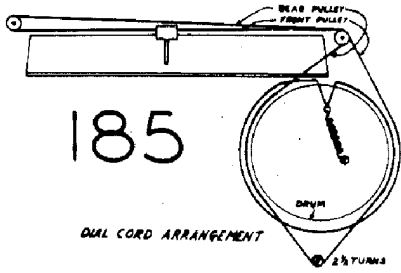
182



183



184



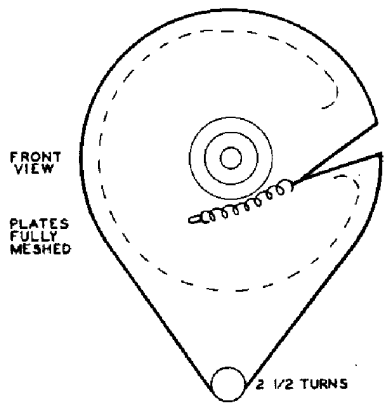


FIG. 1 DIAL DRIVE (A.M.)

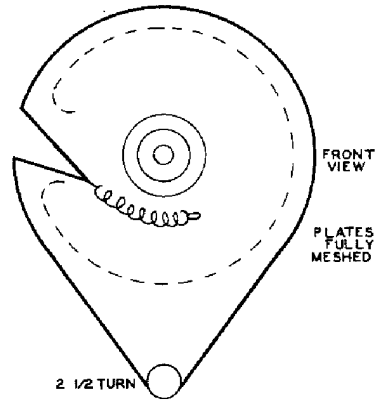


FIG. 2 DIAL DRIVE (F.M.)

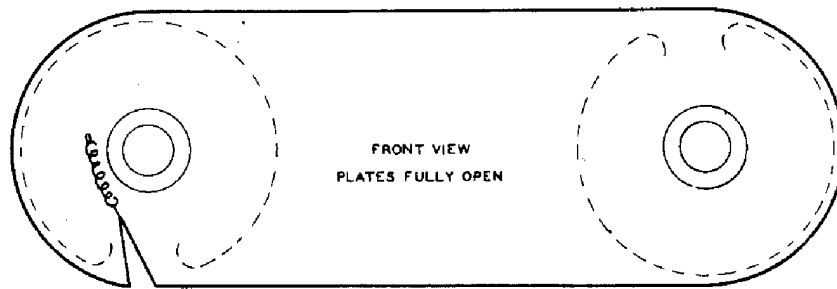


FIG. 3 DIAL DRUMS
A.M. TUNING

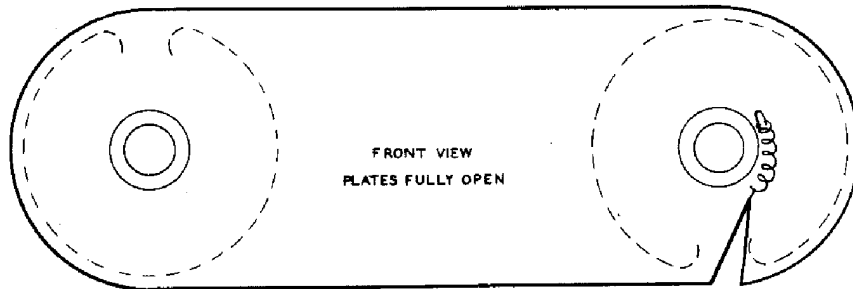
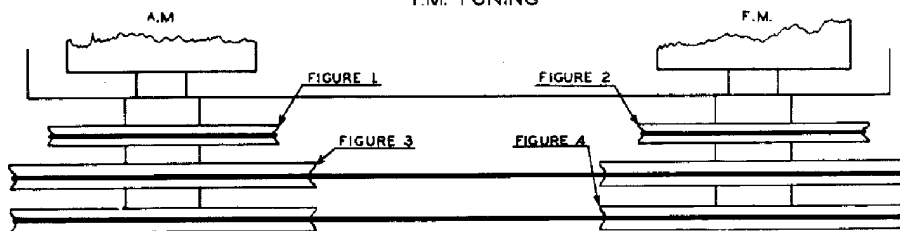
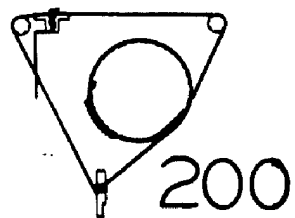
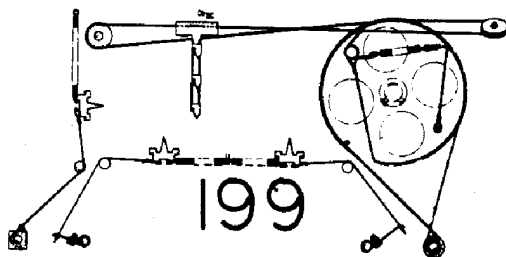
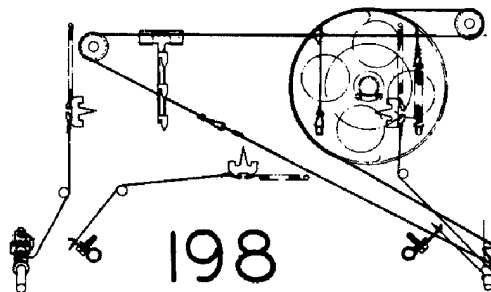
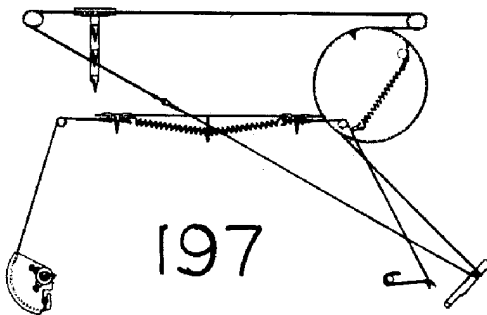
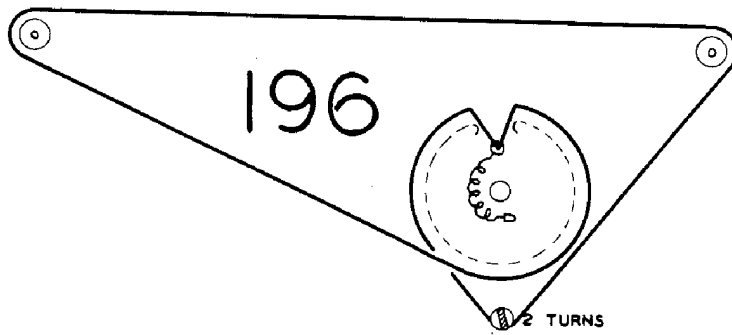
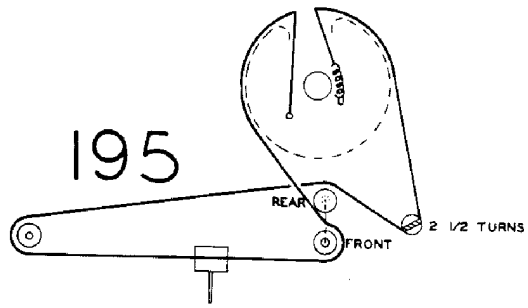
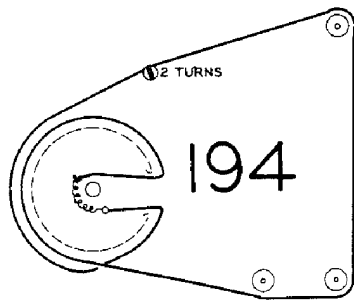
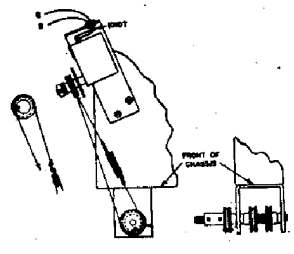
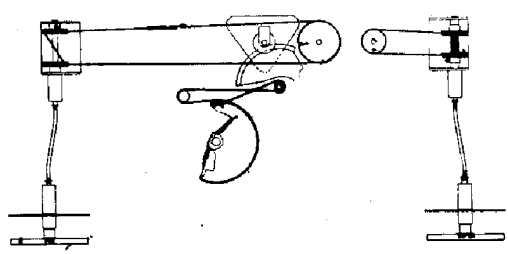


FIG. 4 DIAL DRUMS
F.M. TUNING

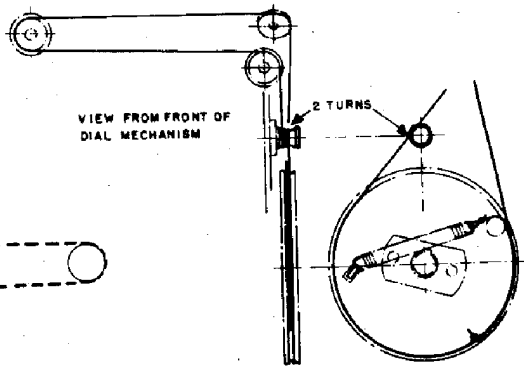






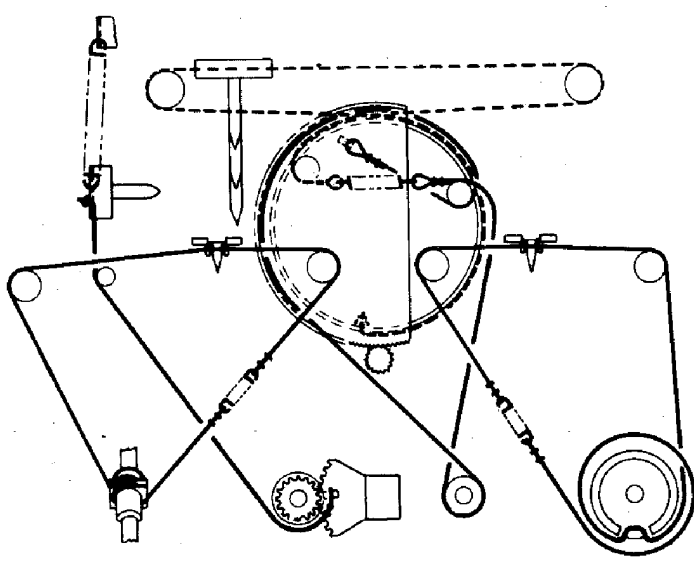
Volume Control Motor Mounting

202

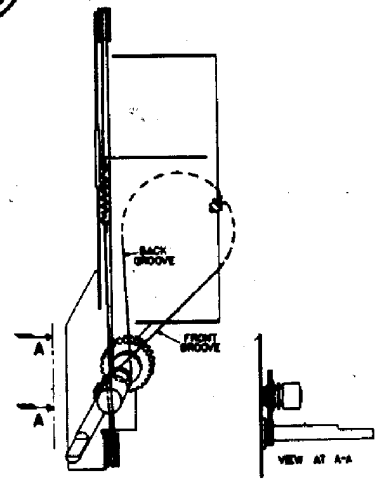


VIEW FROM FRONT OF
DIAL MECHANISM

203



204

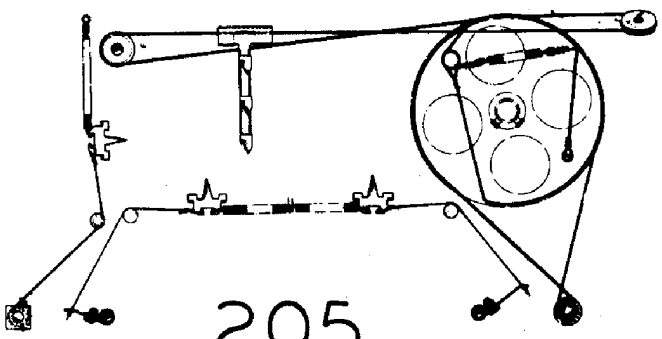


BACK GROOVE

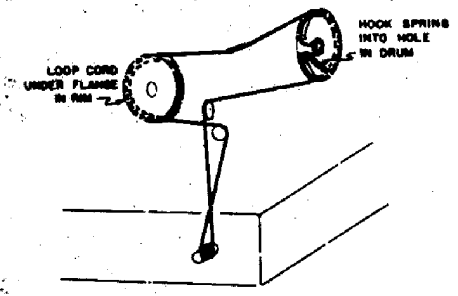
FRONT GROOVE

VIEW AT A-A

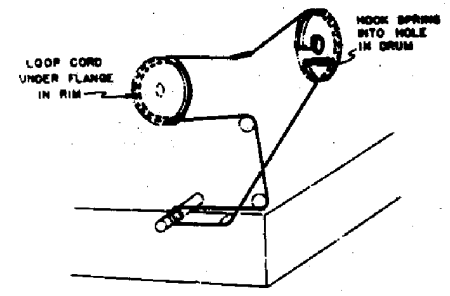
206



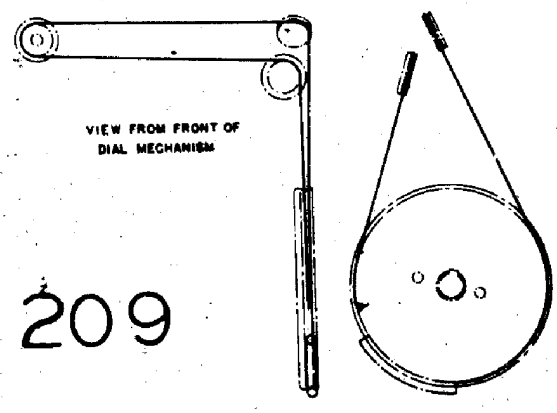
205



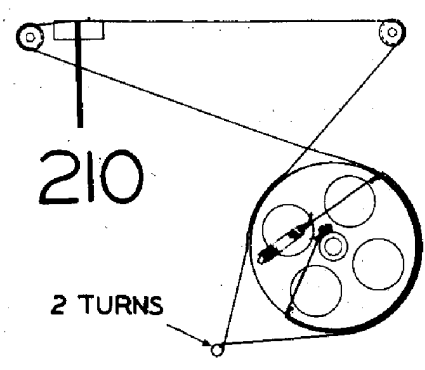
207



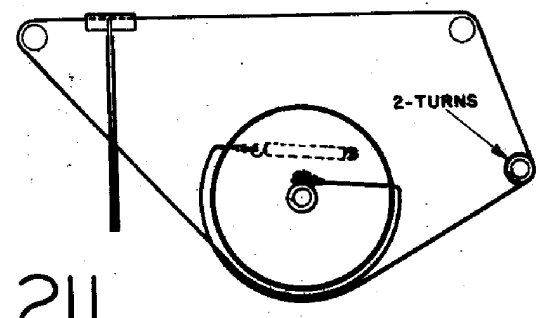
208



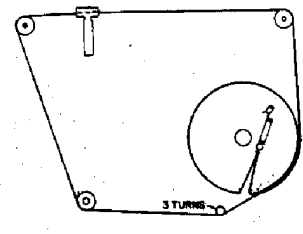
209



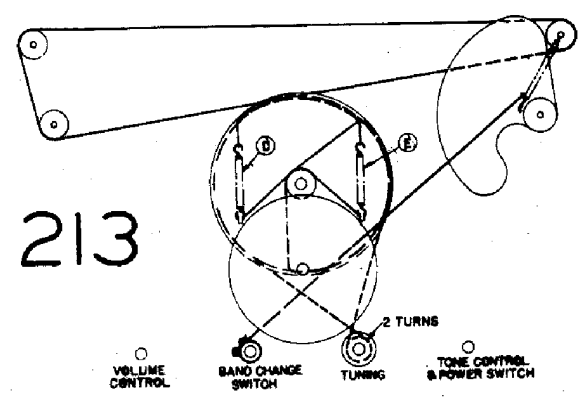
210



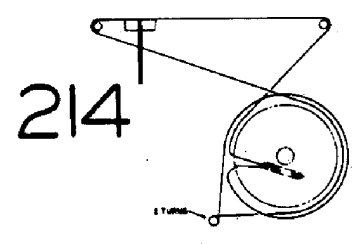
211



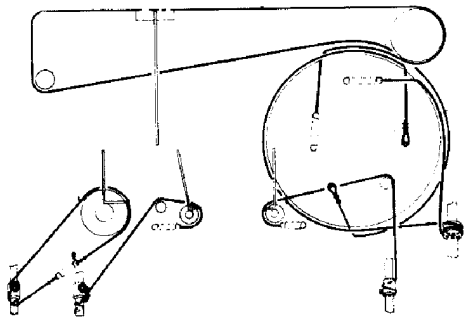
212



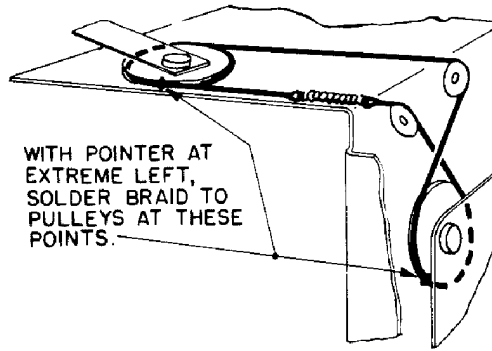
213



214

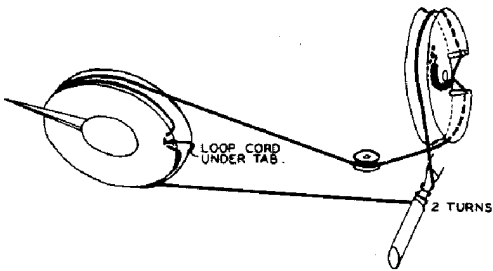


215



WITH POINTER AT
EXTREME LEFT,
SOLDER BRAID TO
PULLEYS AT THESE
POINTS.

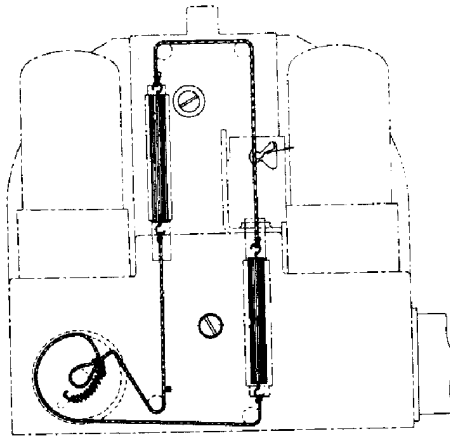
216



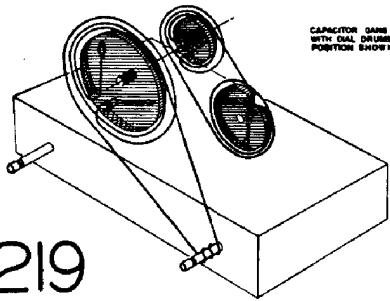
LOOP CORD
UNDER TAB.

2 TURNS

217

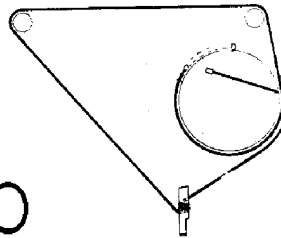


218

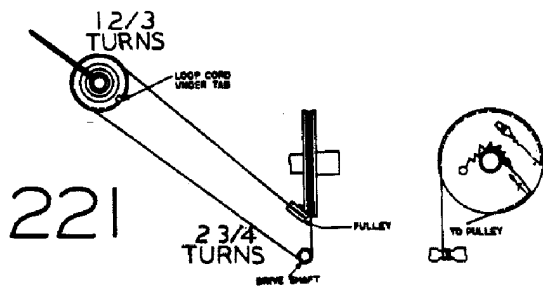


CAPACITOR GEAR CLOSED
WITH GEAR DRIVEN IN
POSITION SHOWN.

219



220



$12\frac{2}{3}$
TURNS

LOOP CORD
UNDER TAB

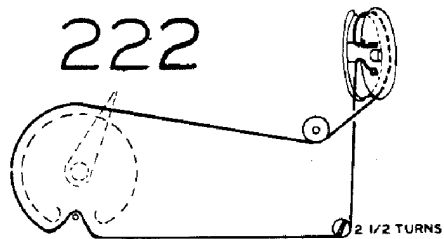
$2\frac{3}{4}$
TURNS

PULLEY

TO PULLEY

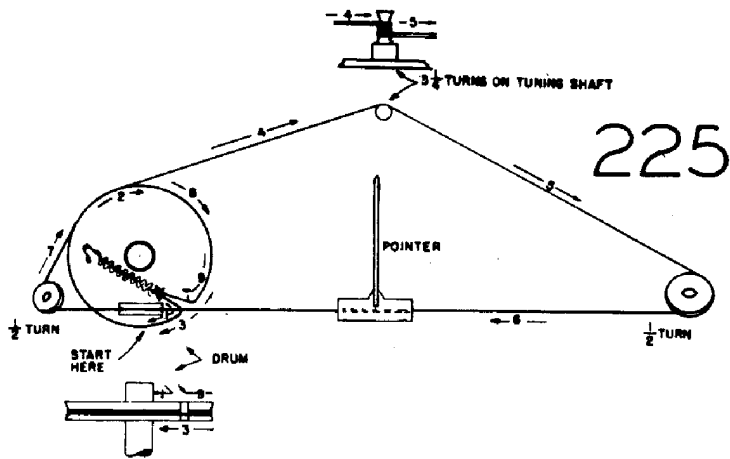
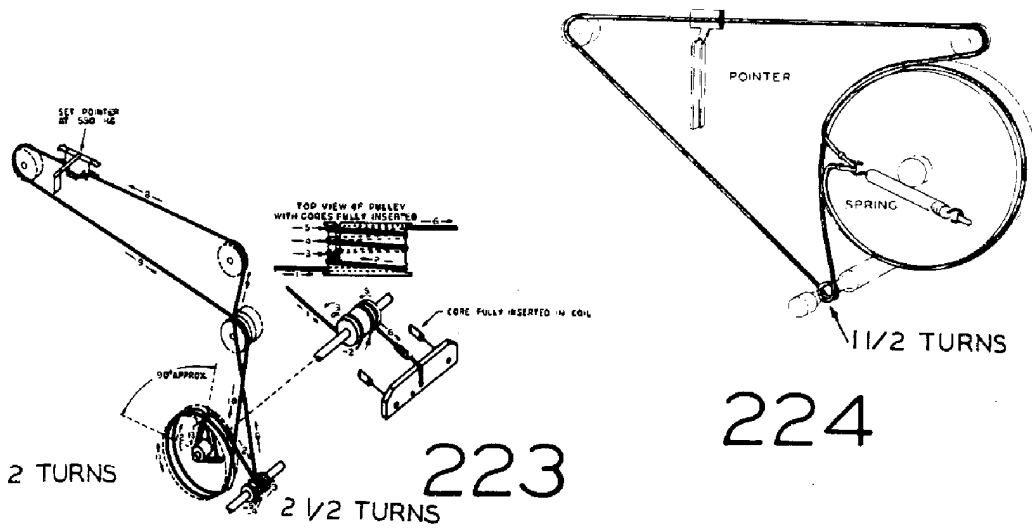
DRIVE SHAFT

221

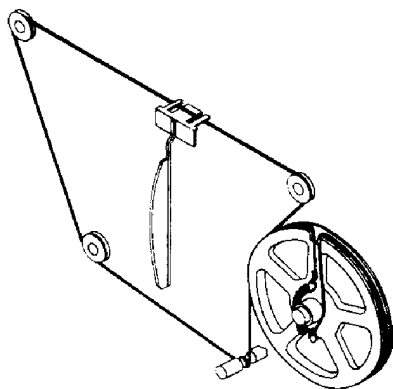


222

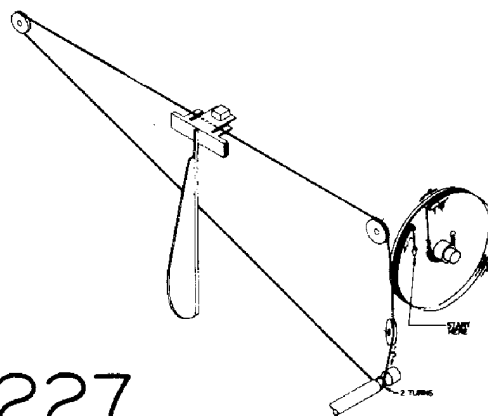
$2\frac{1}{2}$ TURNS

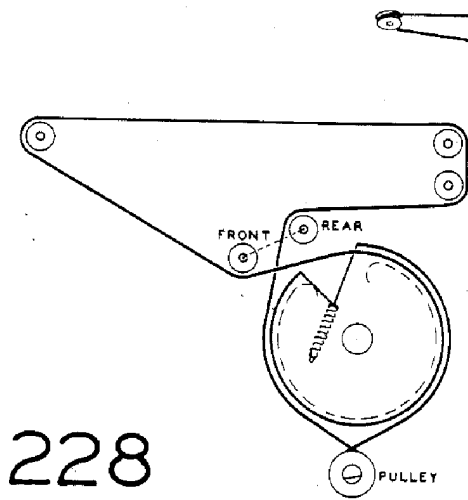


226

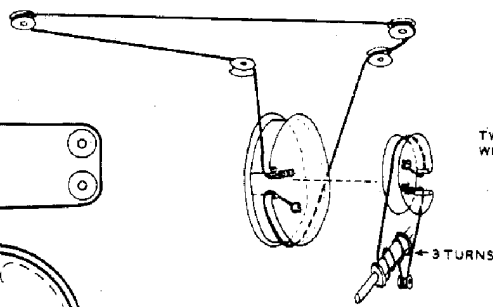


227

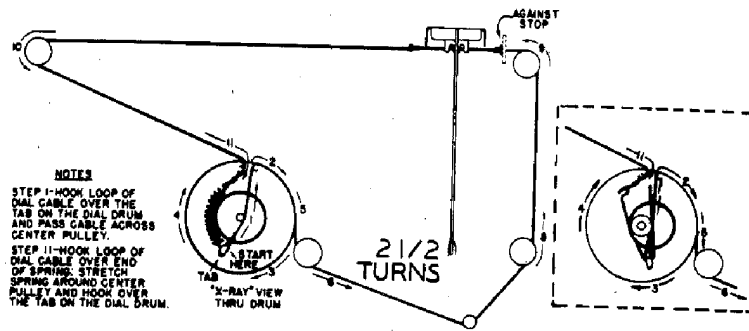




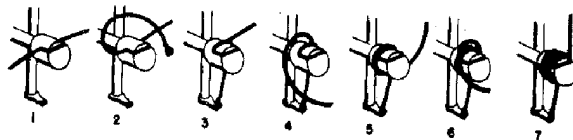
228



229

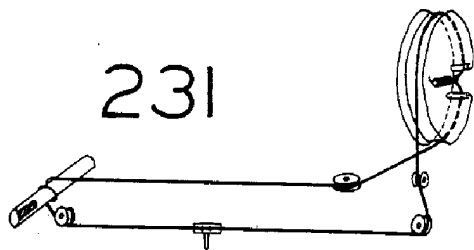


Dial Stringing Diagram Showing Later Production Spring at Right

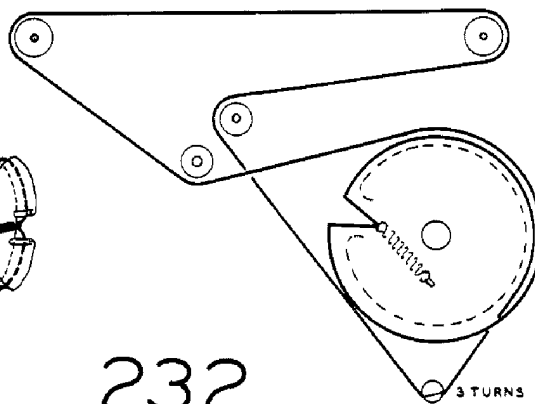


Elevator Windless Stringing Procedure

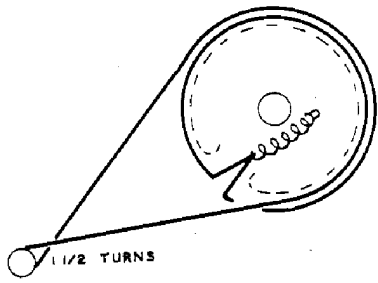
230



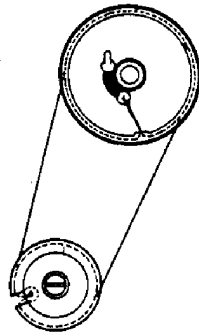
231



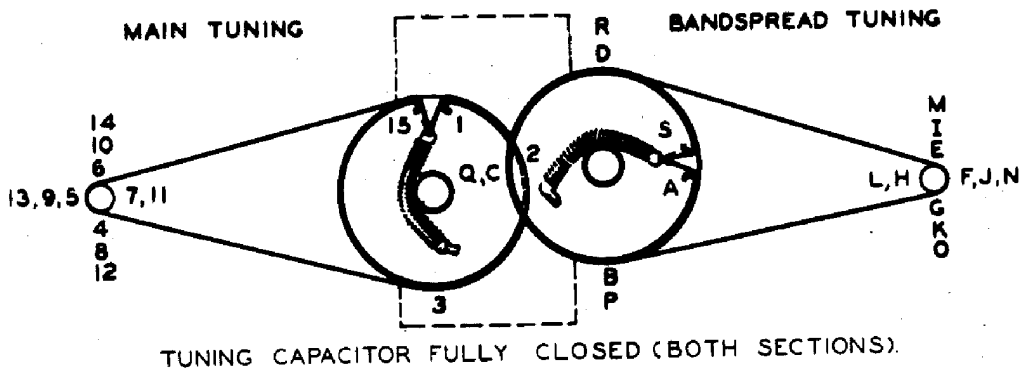
232



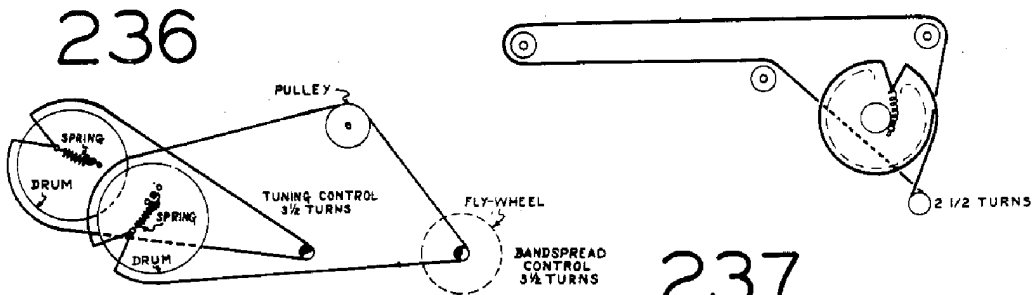
233



234

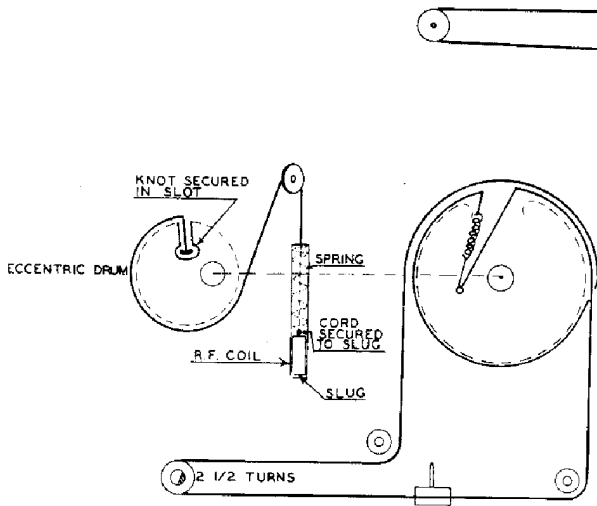


235

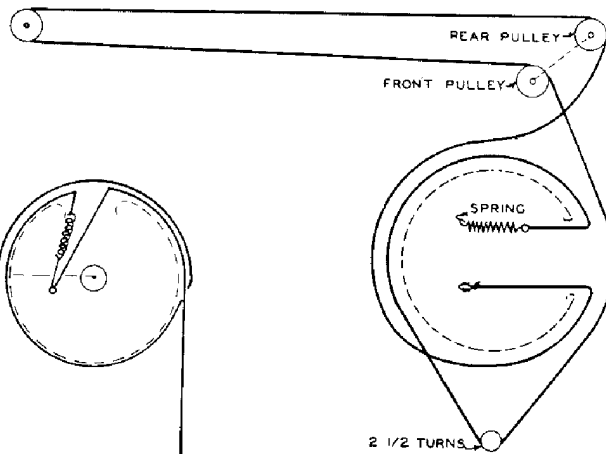


236

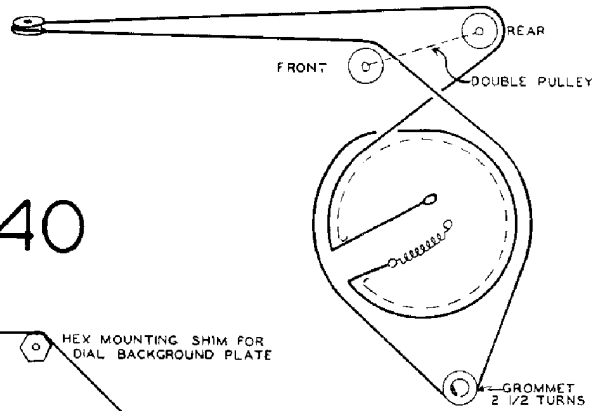
237



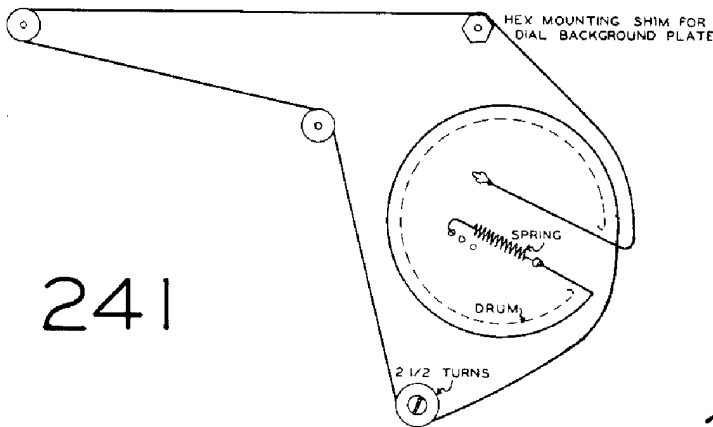
238



239

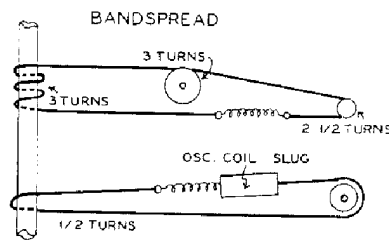
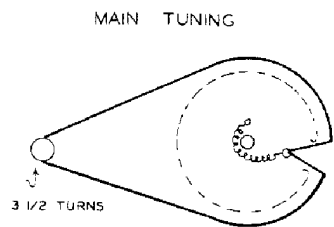


240



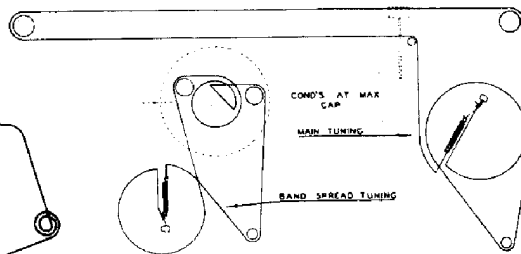
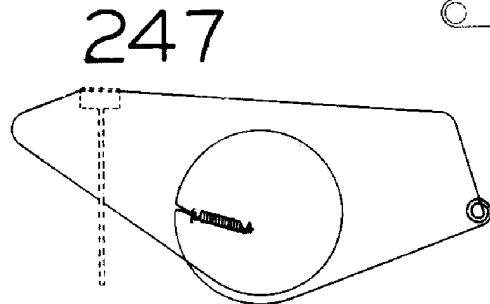
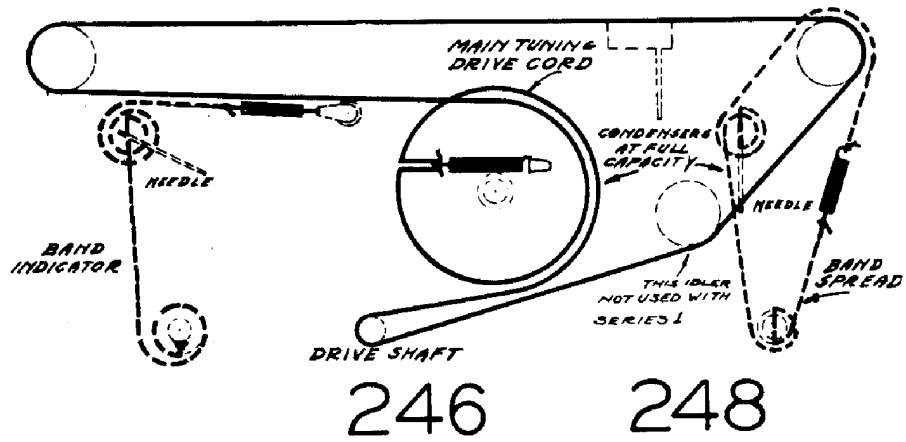
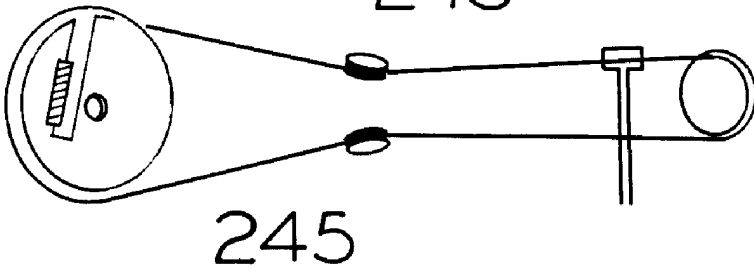
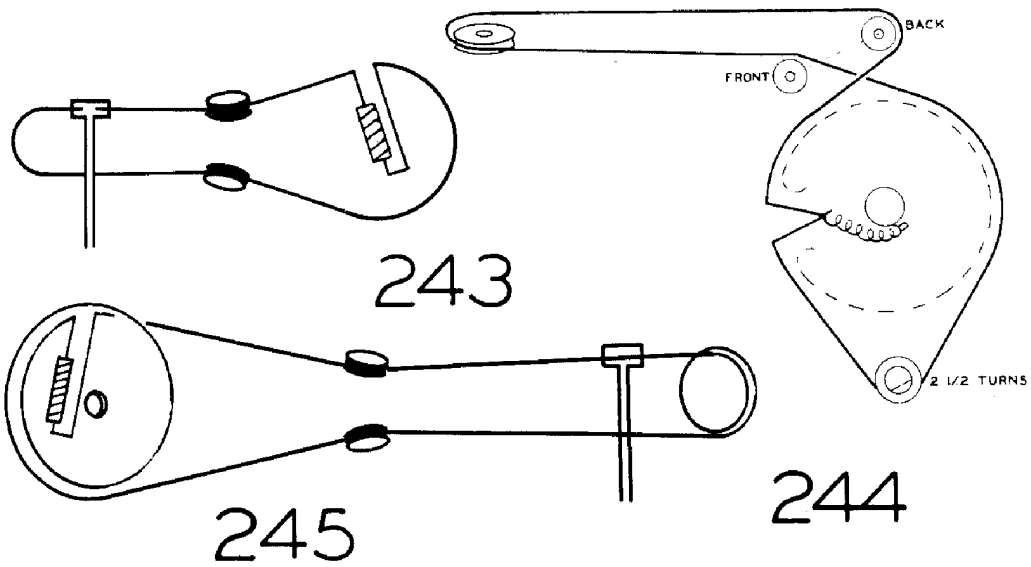
241

242



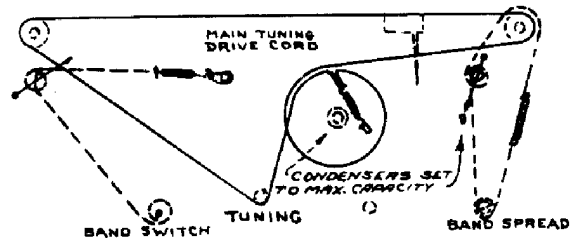
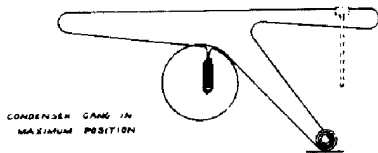
MAIN TUNING

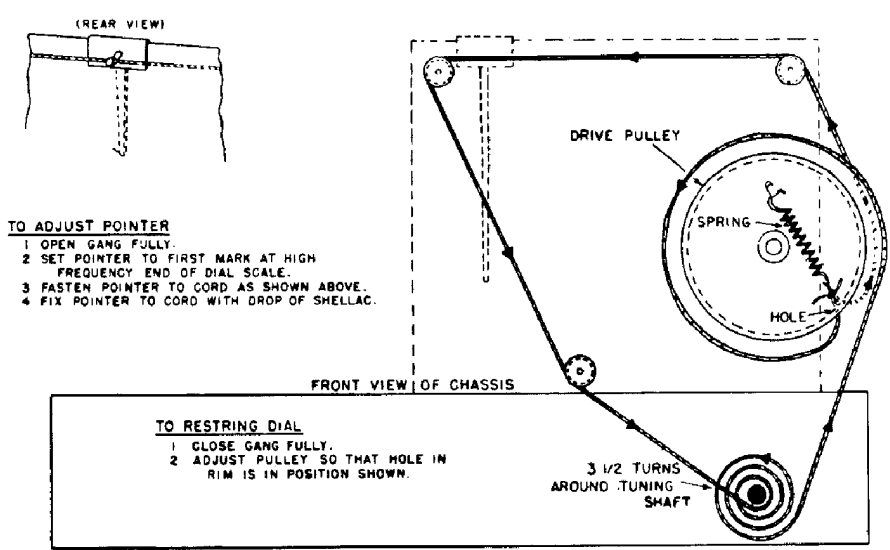
BANDSPREAD



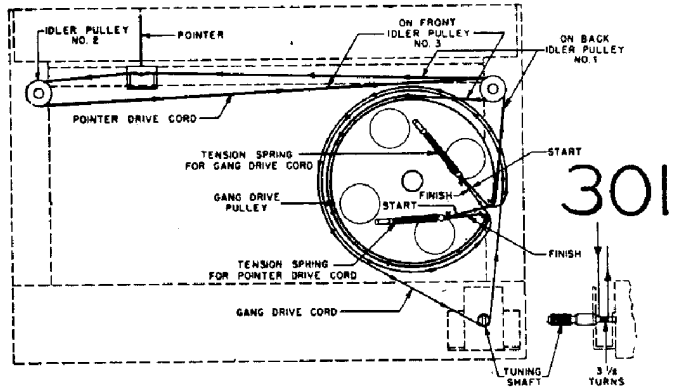
CONDENSER GANG IN
MAXIMUM POSITION

249

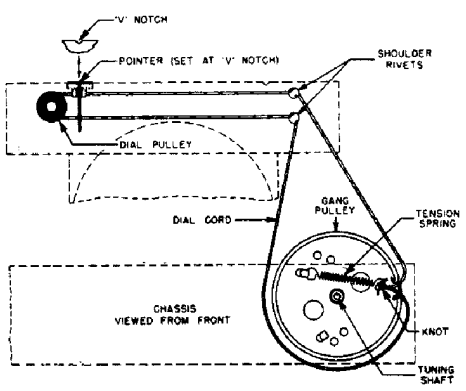




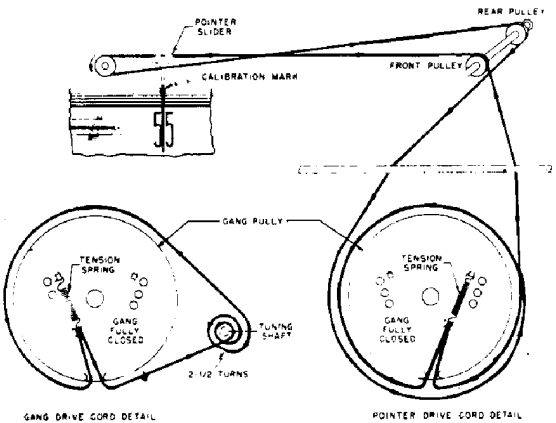
300

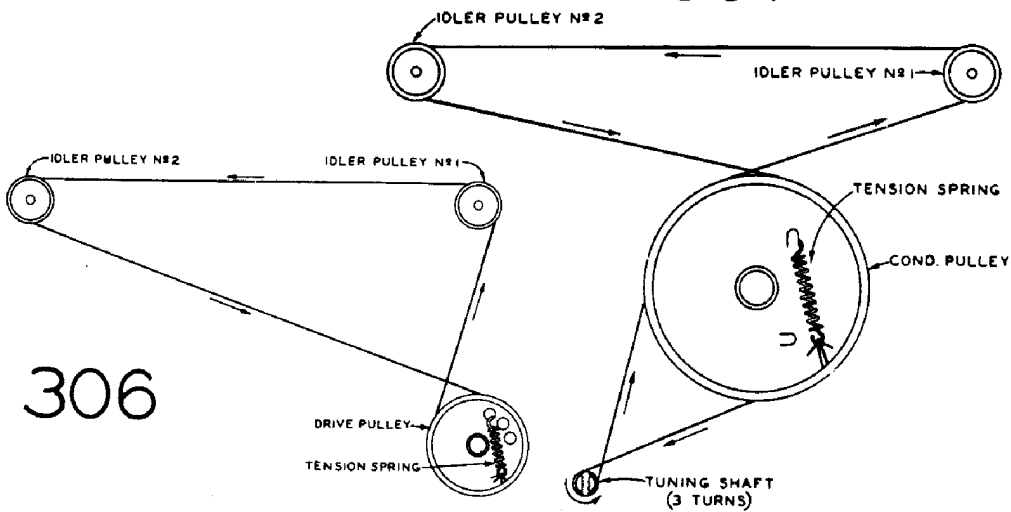
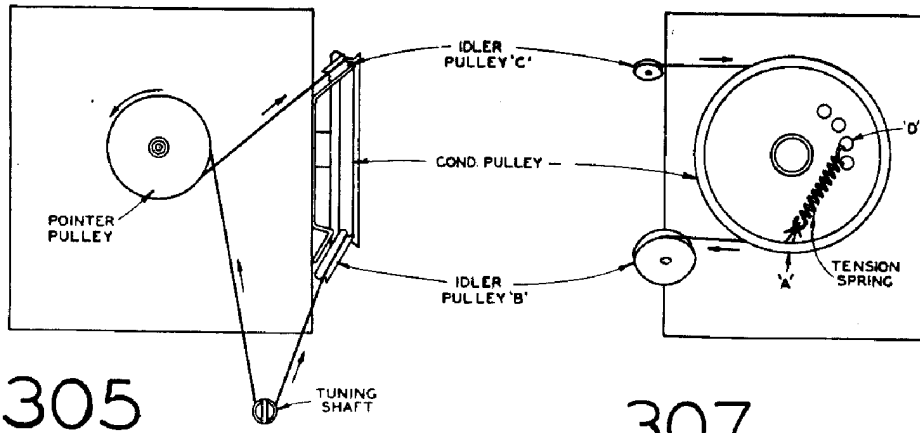
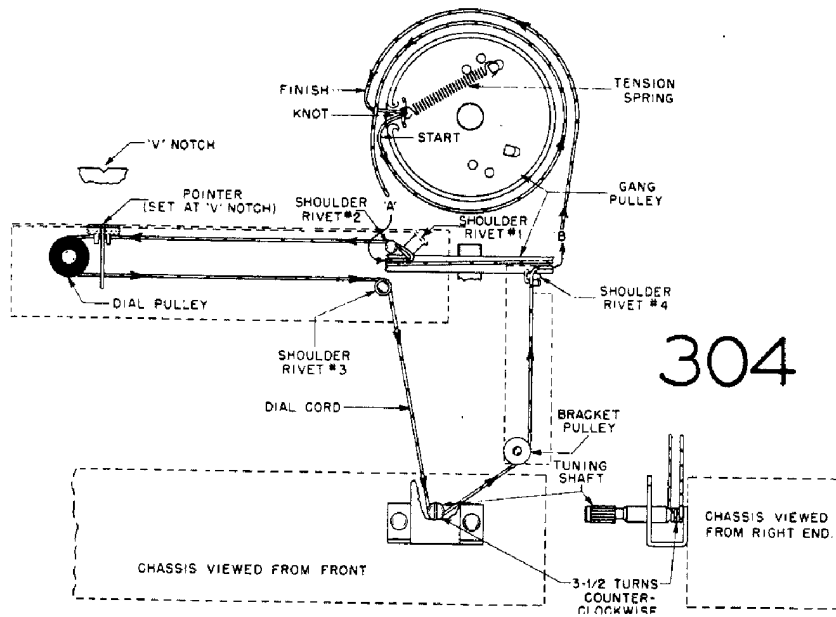


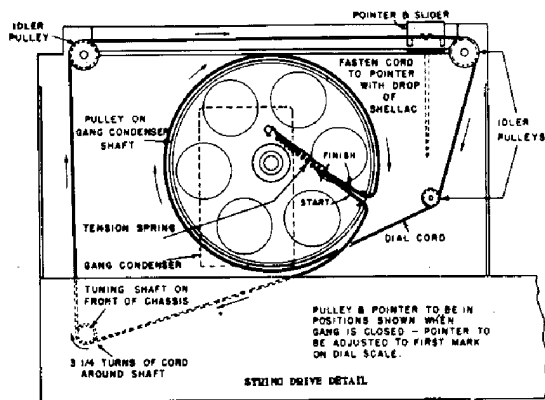
302



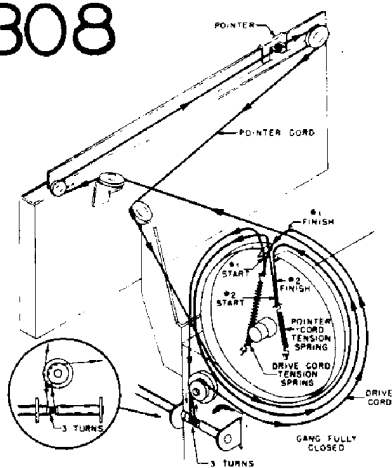
303



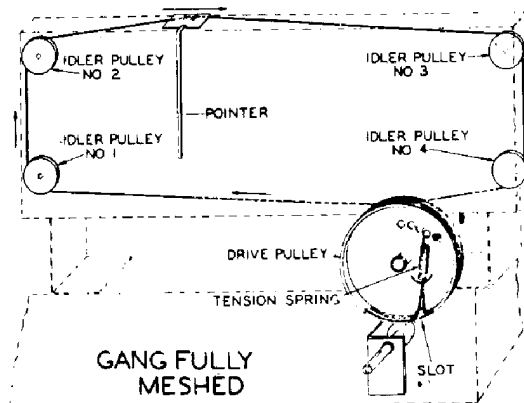
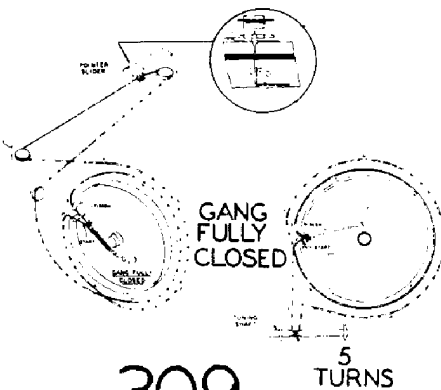




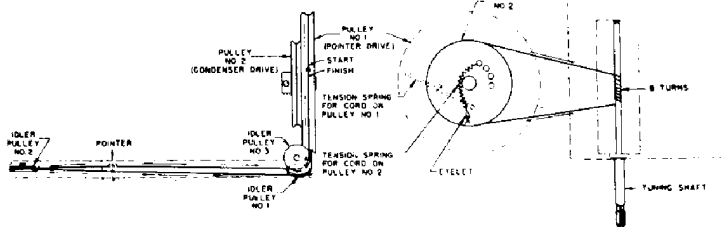
308



309

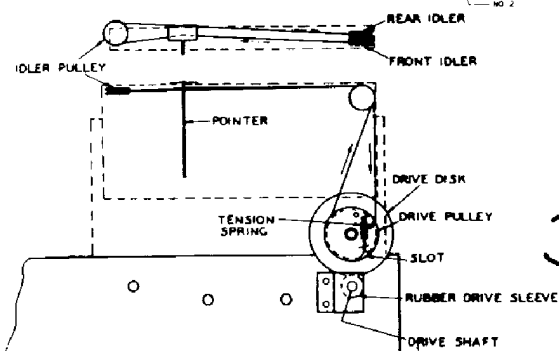


310

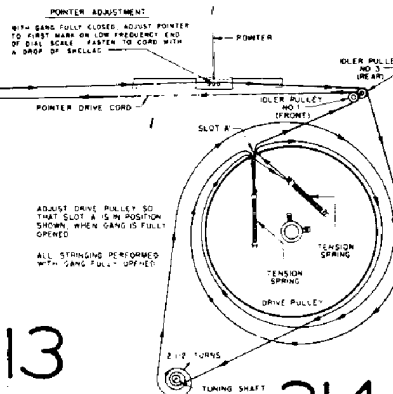


311

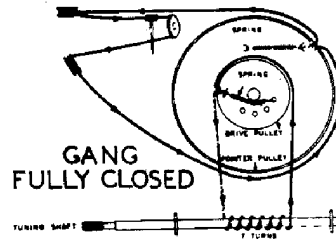
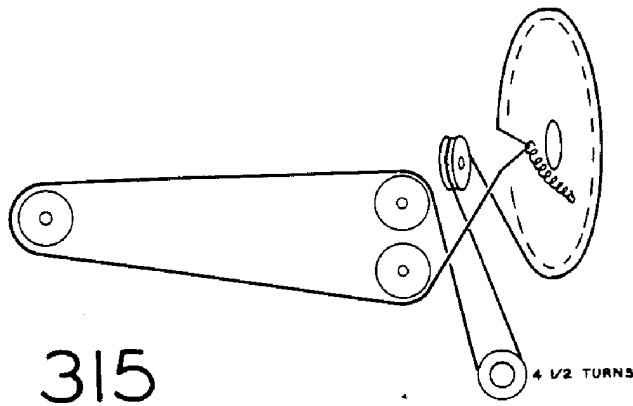
312



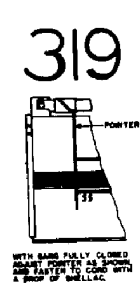
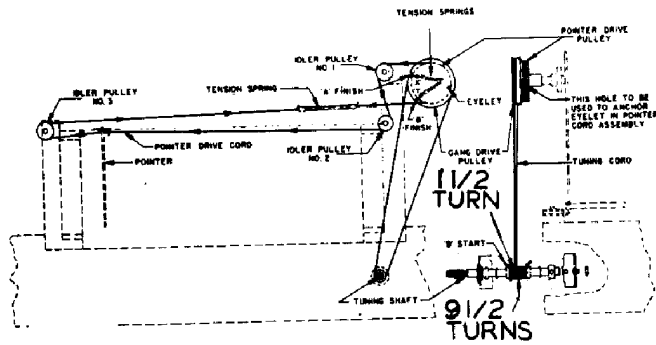
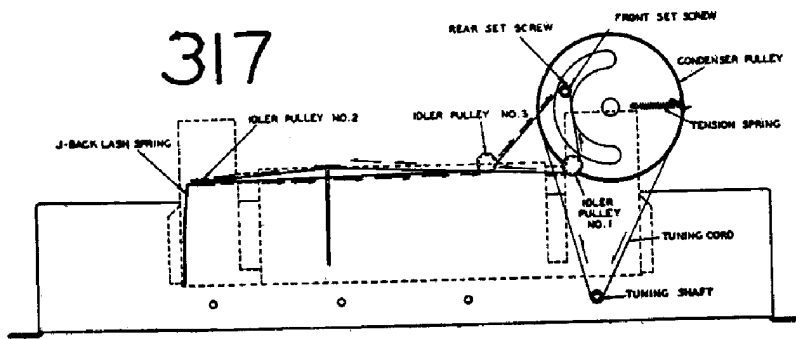
313



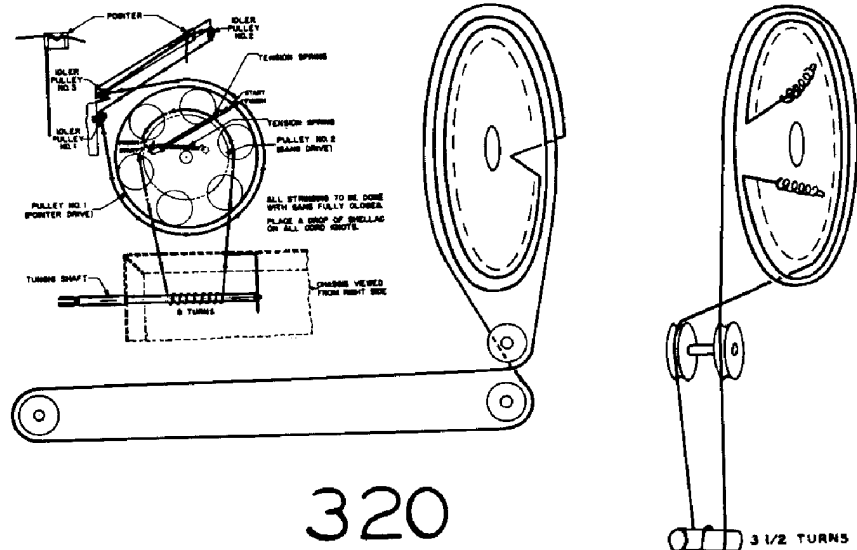
314



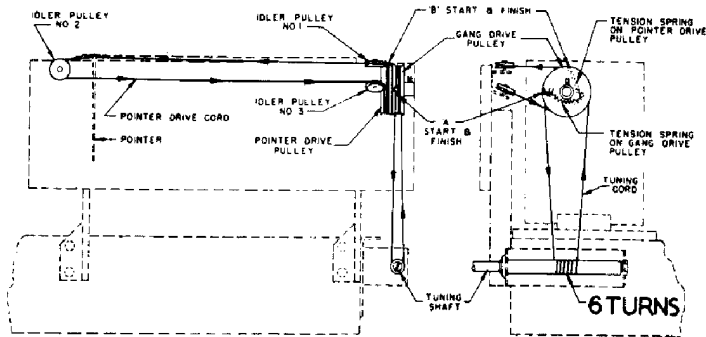
316



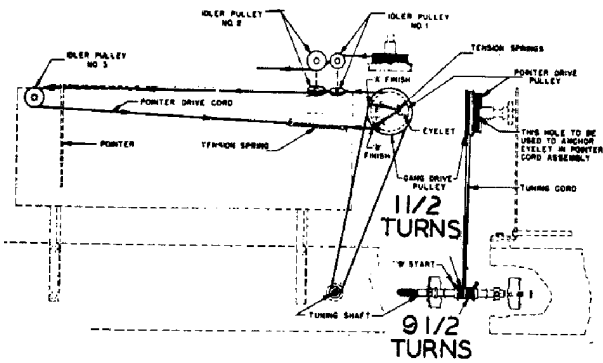
WITH GANG FULLY CLOSED POINT POINTER AS SHOWN AND FASTEN TO CORD WITH A DROP OF SELLAC.



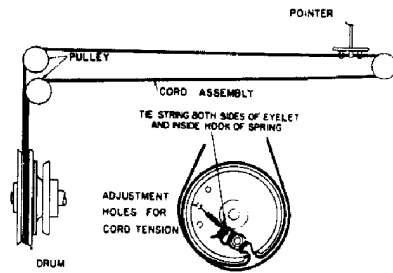
321



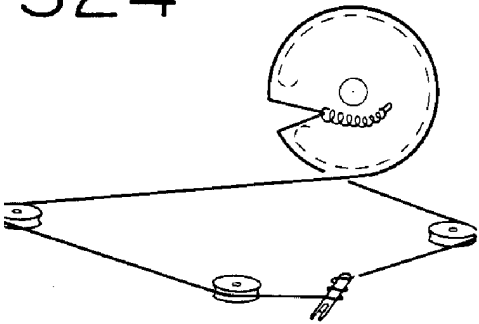
322



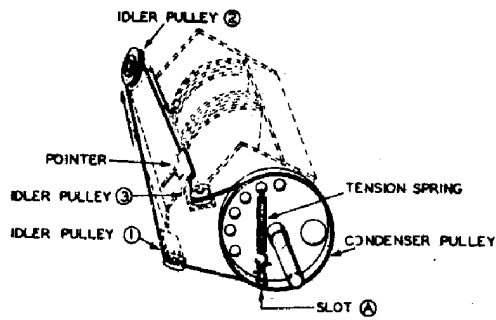
323



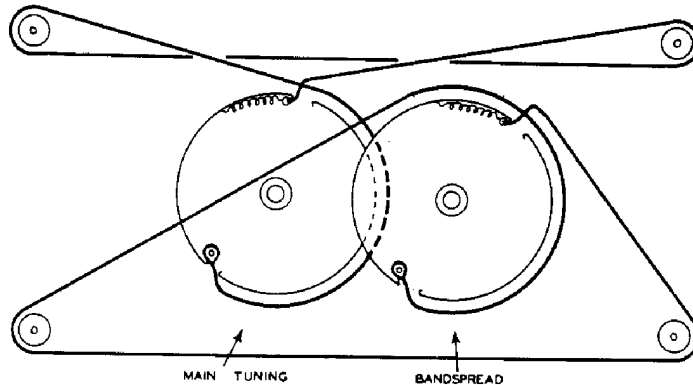
324

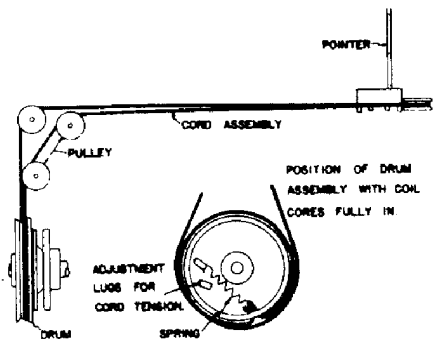


325

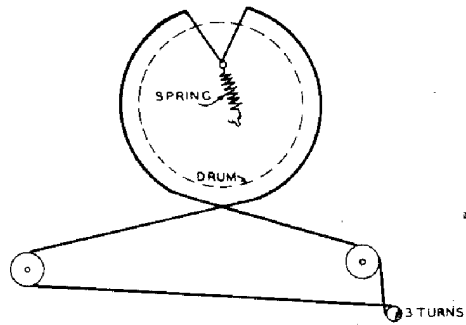


326

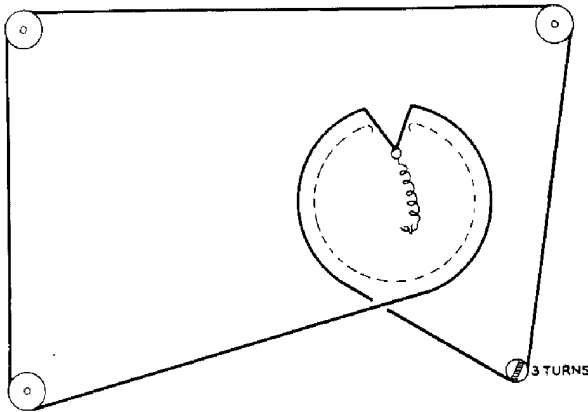




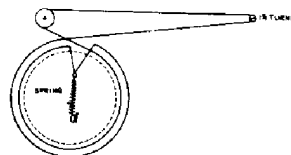
327



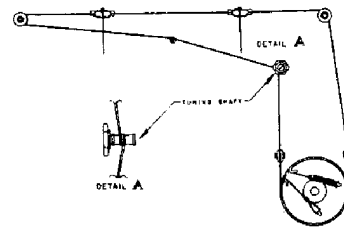
328



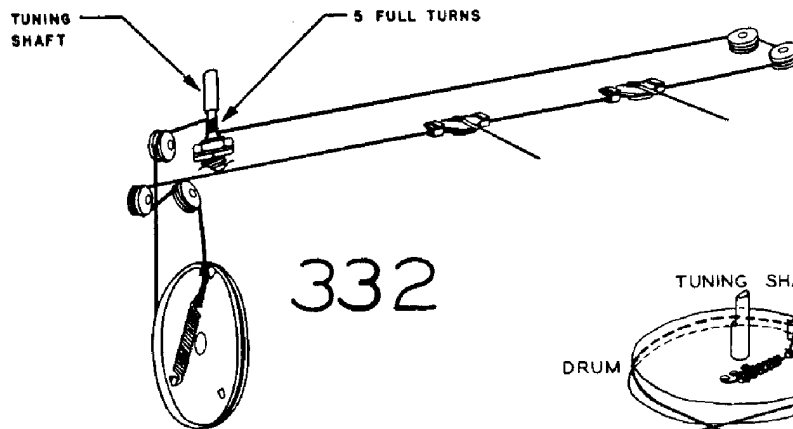
329



330

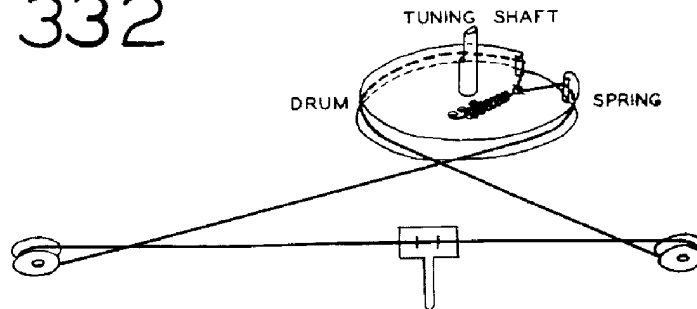


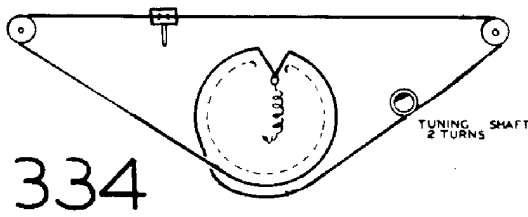
331



332

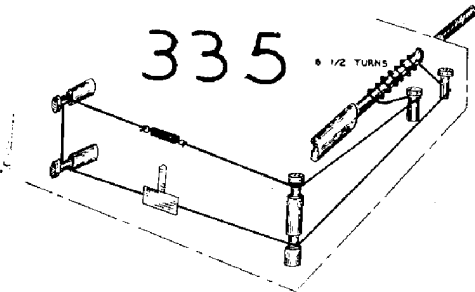
333





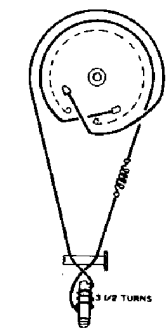
334

TUNING SHAFT
2 TURNS



335

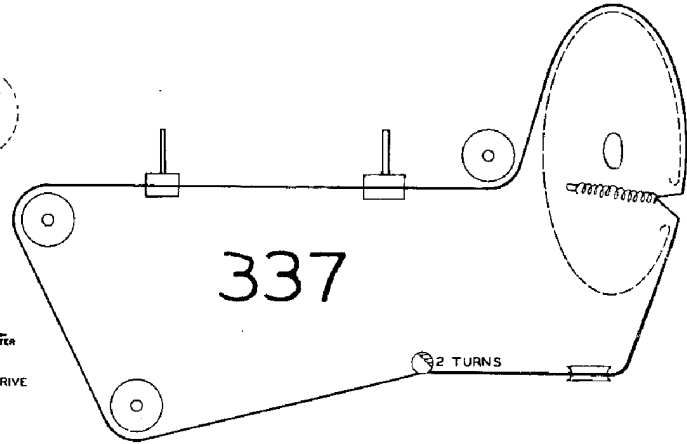
1 1/2 TURNS



TUNING GANG DRIVE



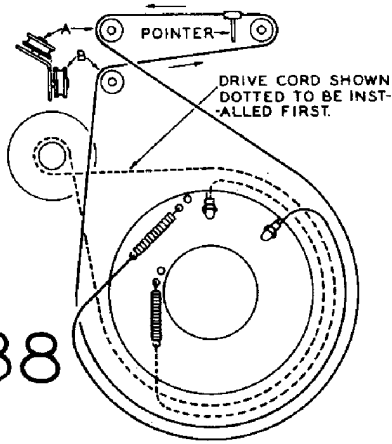
2 1/2 TURNS
POINTER



337

2 TURNS

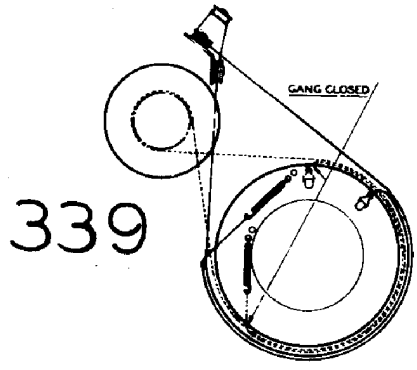
336



DRIVE CORD SHOWN
DOTTED TO BE INSTALLED FIRST.

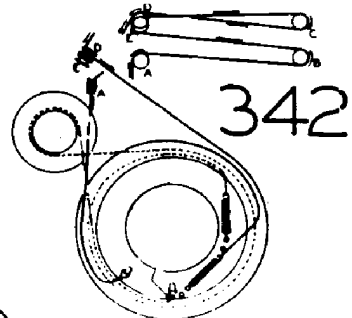
338

(POINTER AT LOW FREQUENCY END OF DIAL)
TUNING CONDENSER MAXIMUM CAPACITY (FULLY CLOSED)

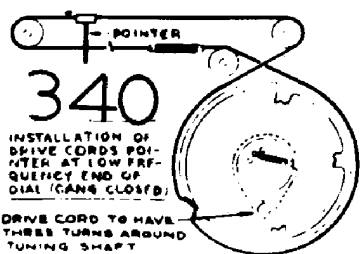


339

GANG CLOSED



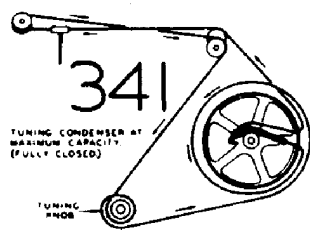
342



340

INSTALLATION OF
DRIVE CORD'S
POINTER AT LOW FREQUENCY
END OF DIAL (GANG CLOSED)

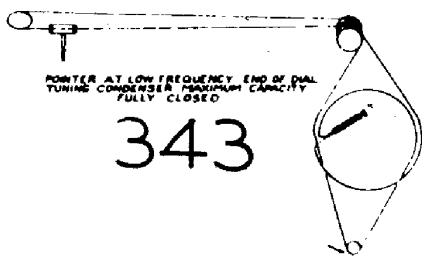
DRIVE CORD TO HAVE
THREE TURNS AROUND
TUNING SHAFT



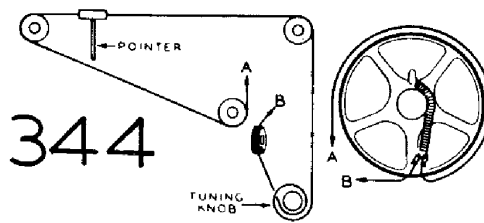
341

TUNING CONDENSER AT
MAXIMUM CAPACITY
(FULLY CLOSED)

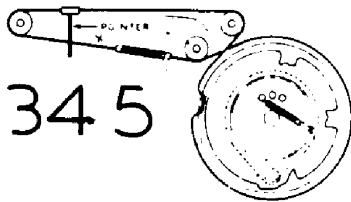
TUNING
KNOB



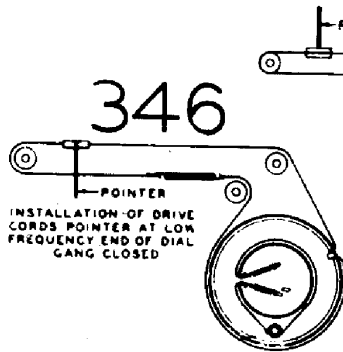
343



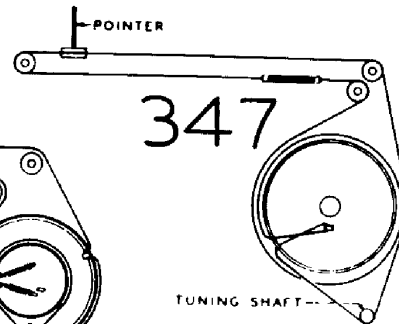
344



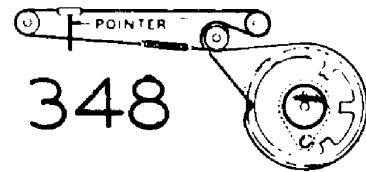
345



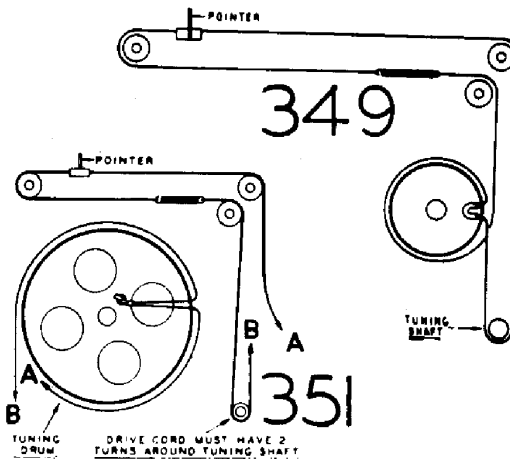
346



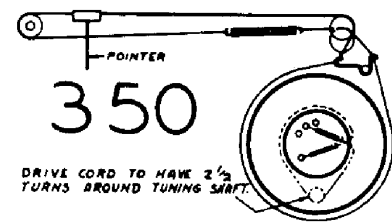
347



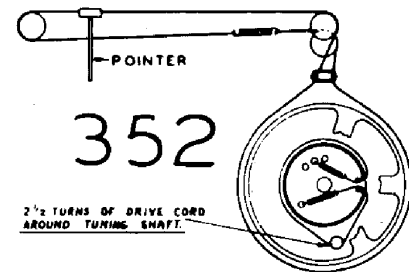
348



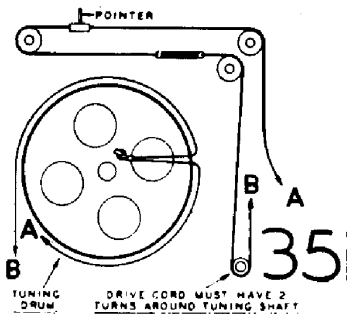
349



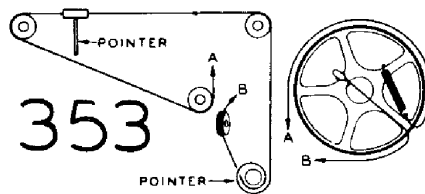
350



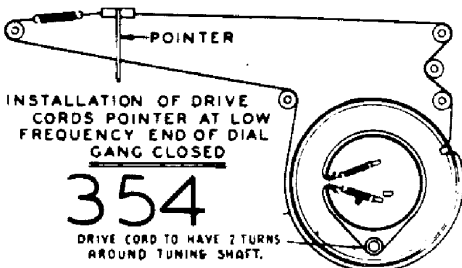
352



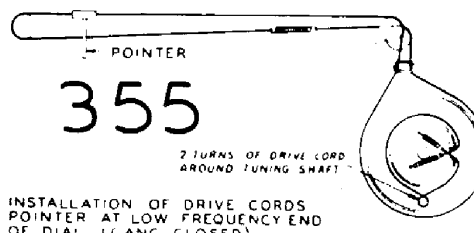
351



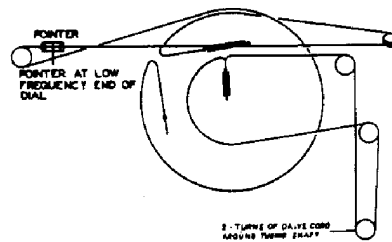
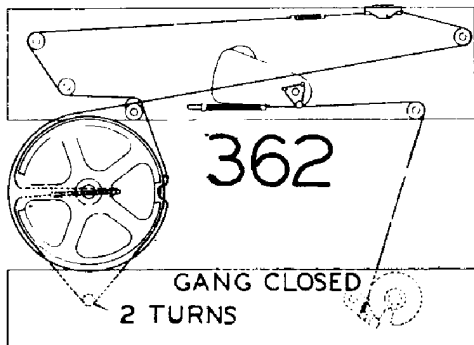
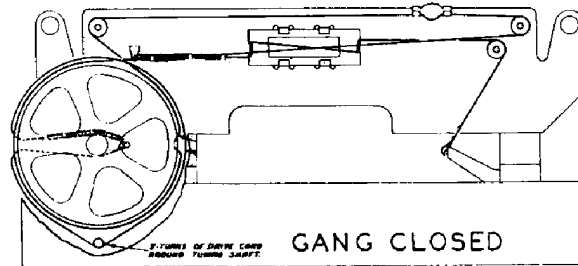
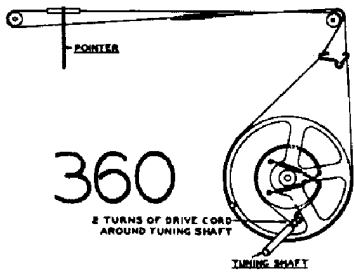
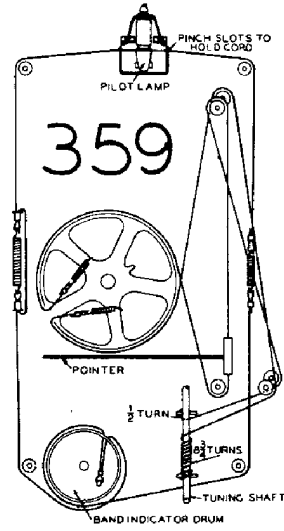
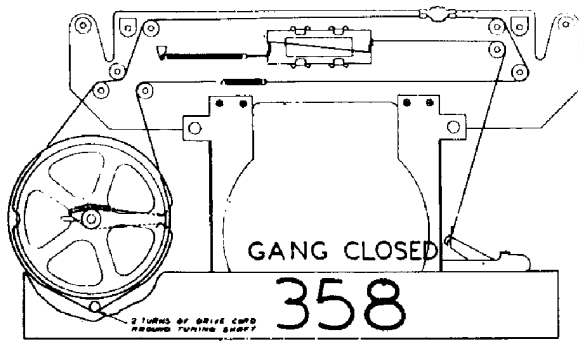
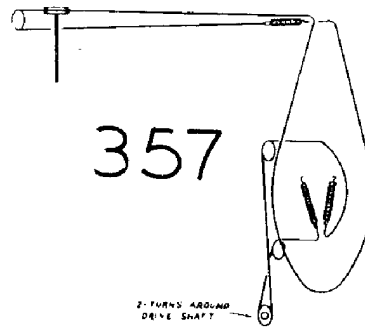
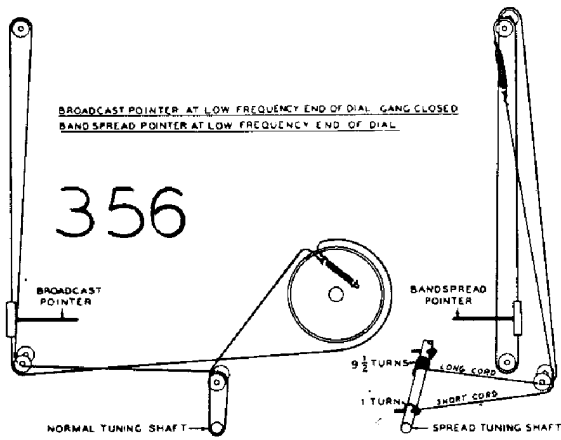
353

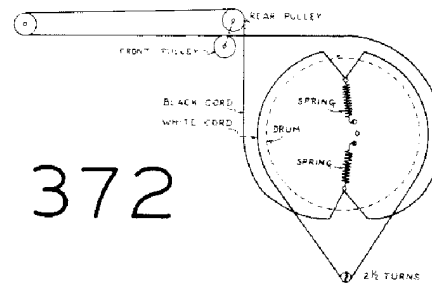
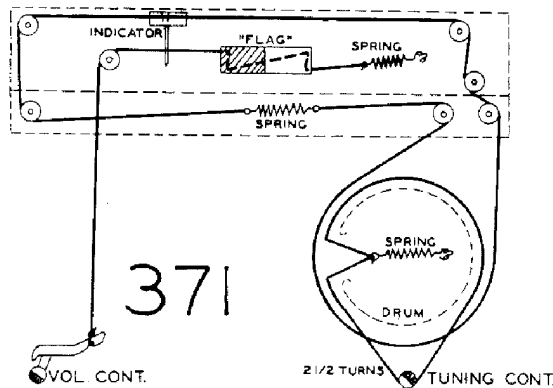
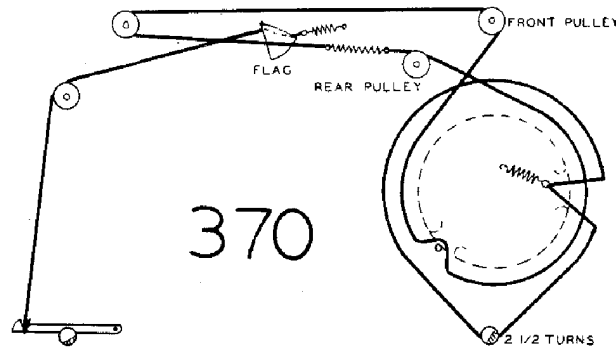
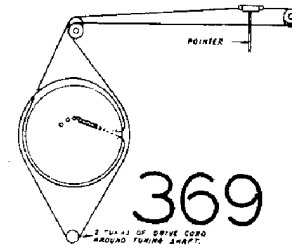
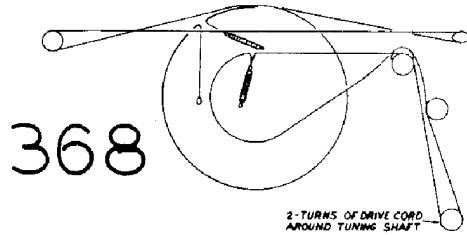
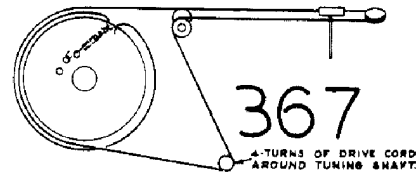
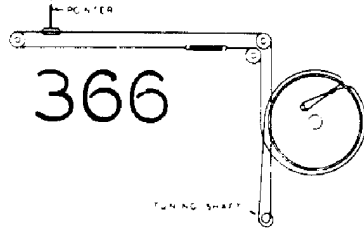
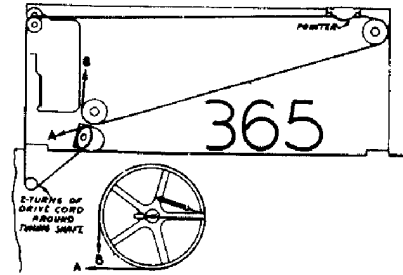
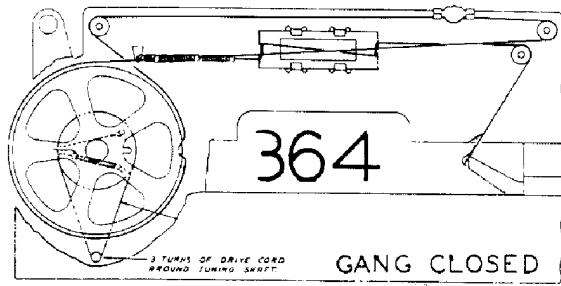


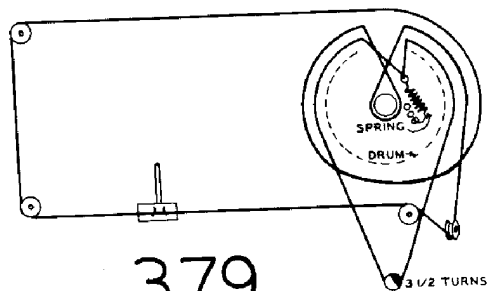
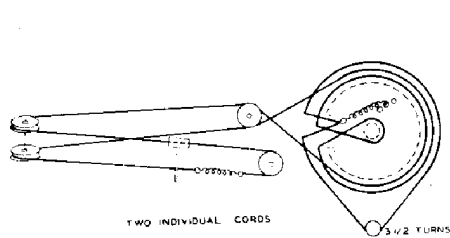
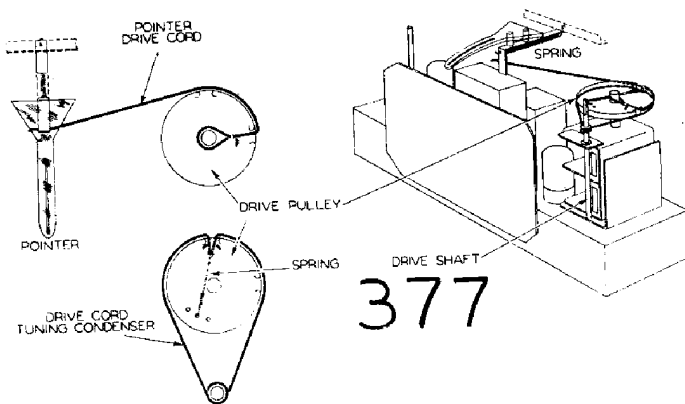
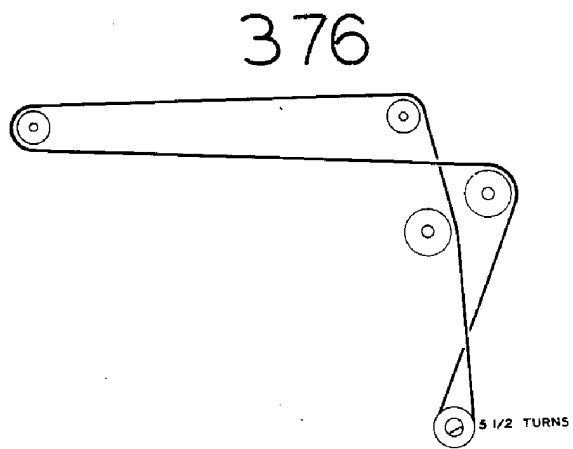
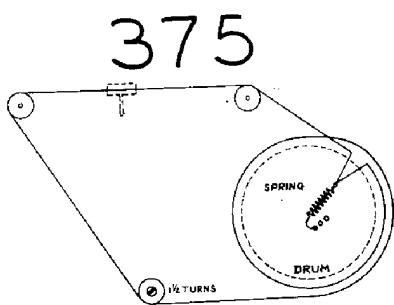
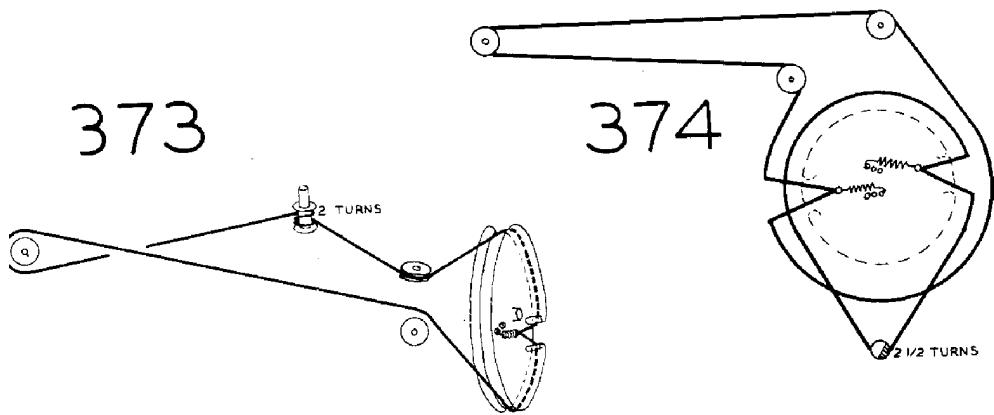
354



355

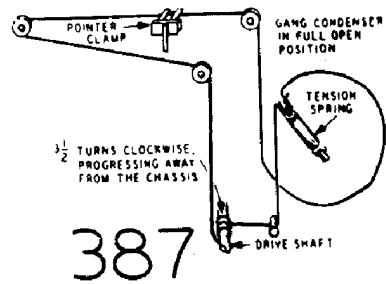
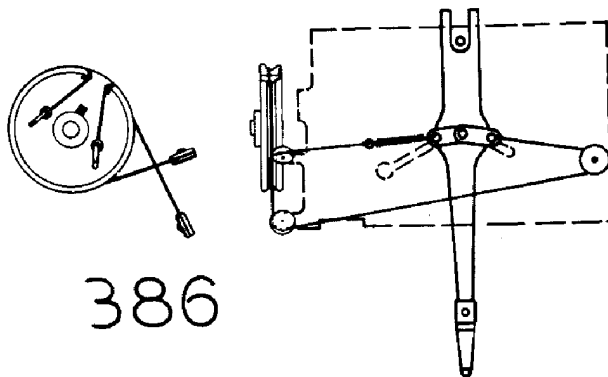
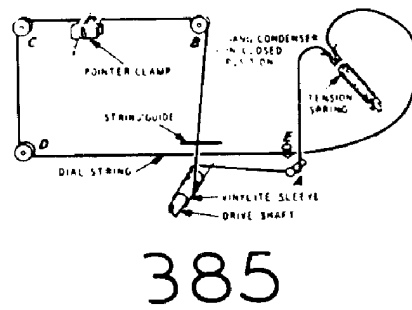
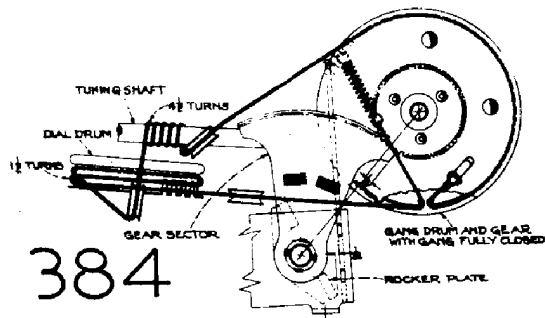
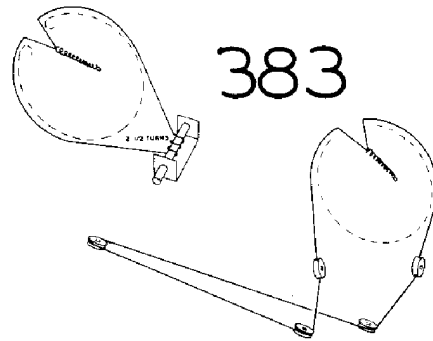
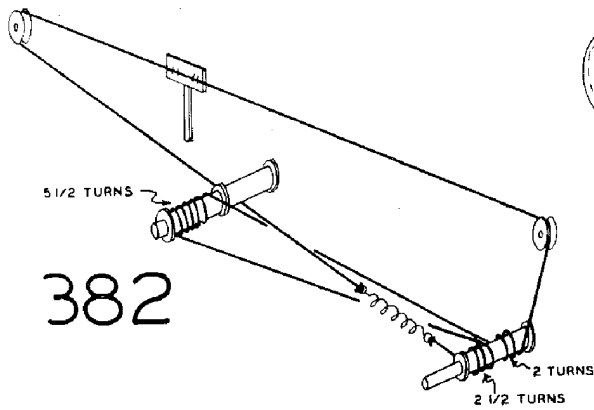
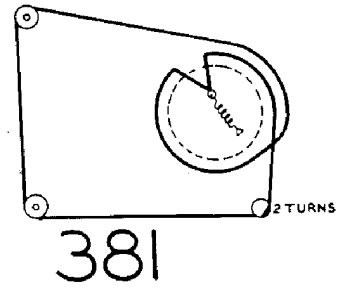
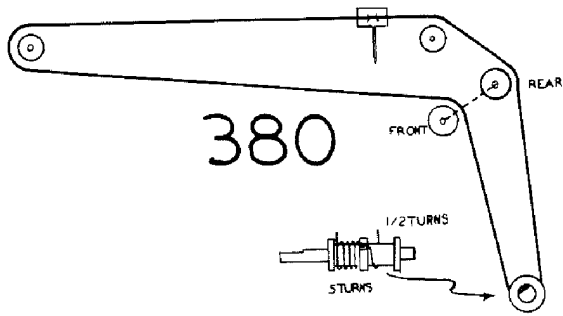




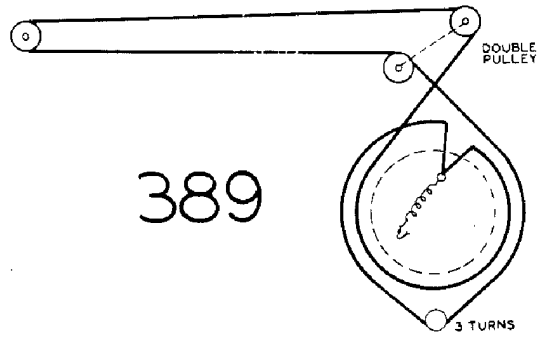
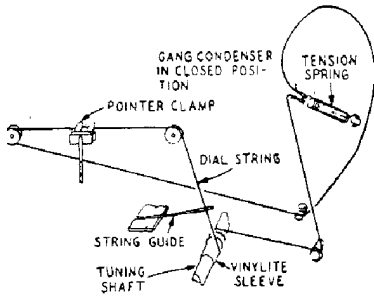


378

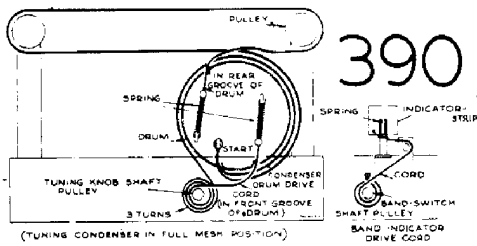
379



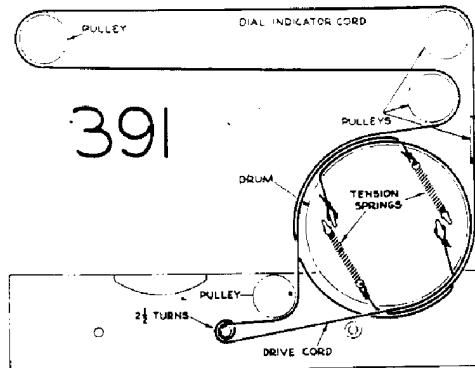
388



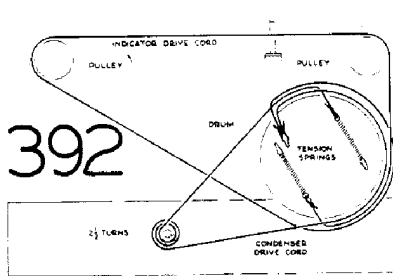
389



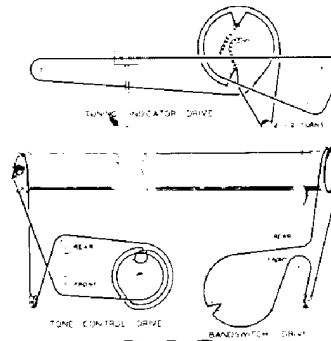
390



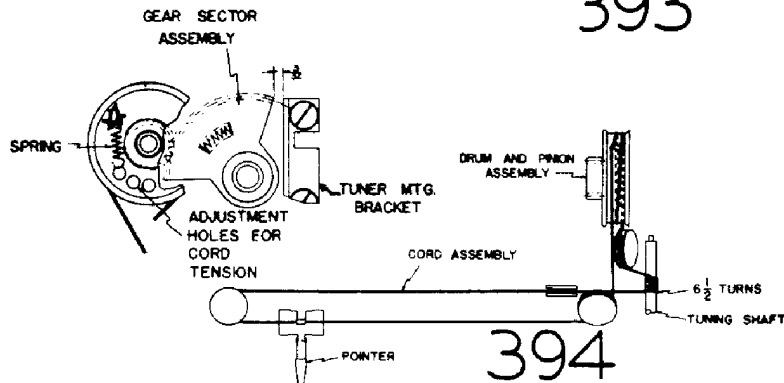
391



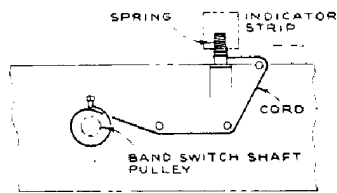
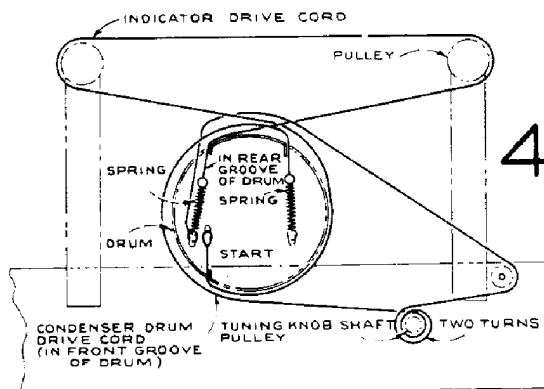
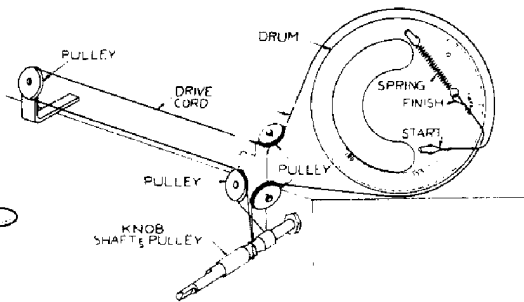
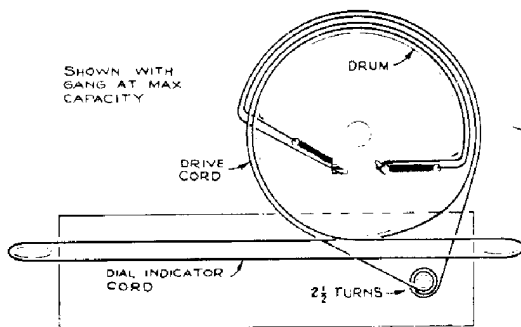
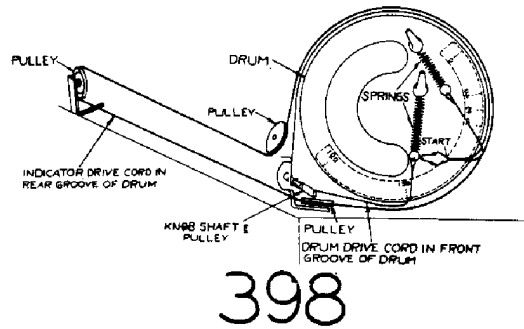
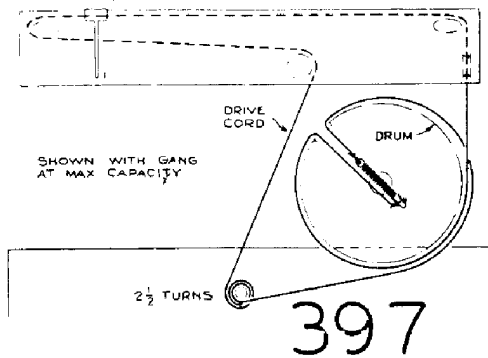
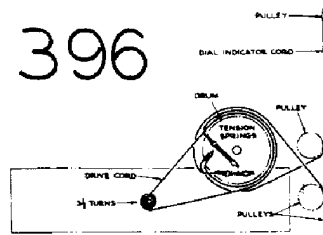
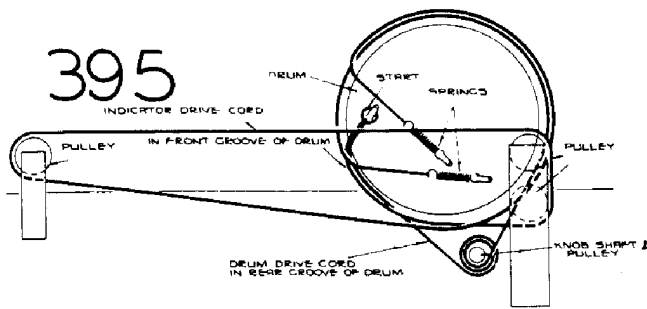
392



393

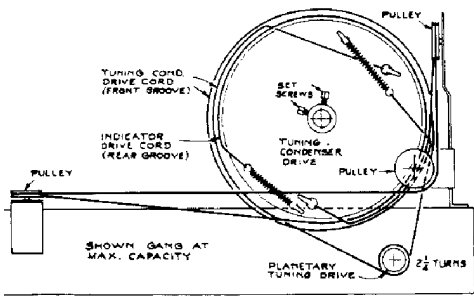


394

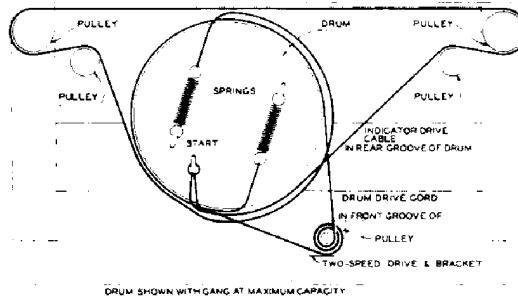


TUNING CONDENSER IN FULL MESH POSITION

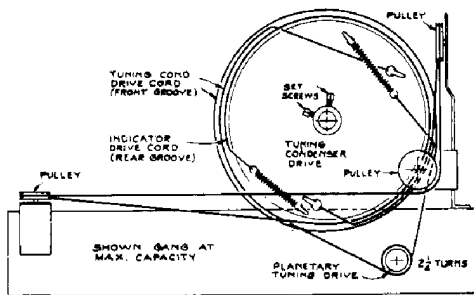
BAND INDICATOR DRIVE CORD



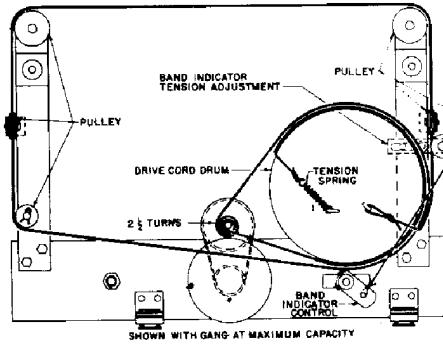
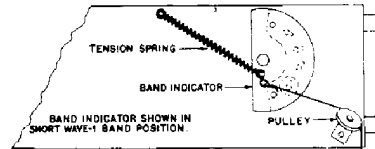
402



403

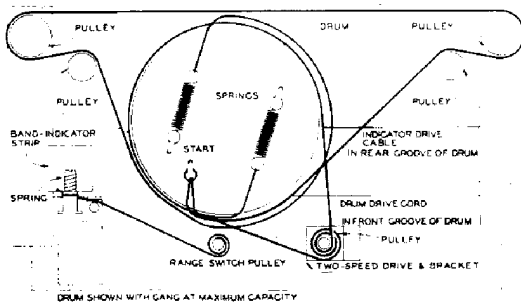


404

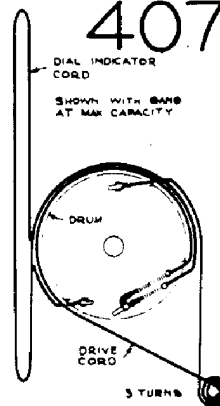


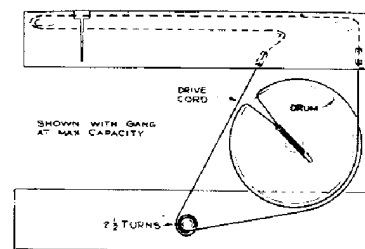
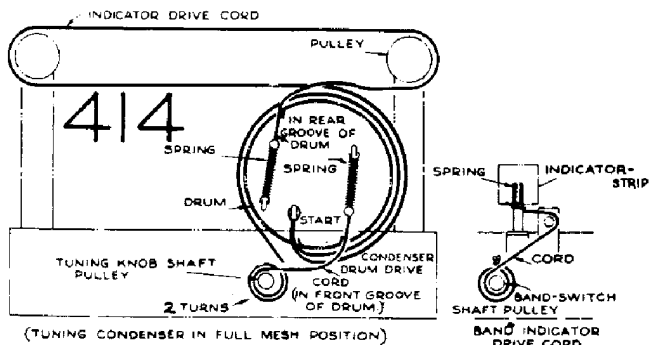
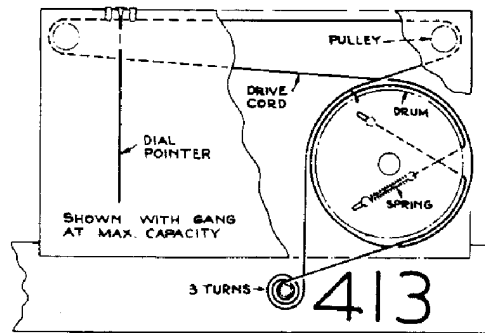
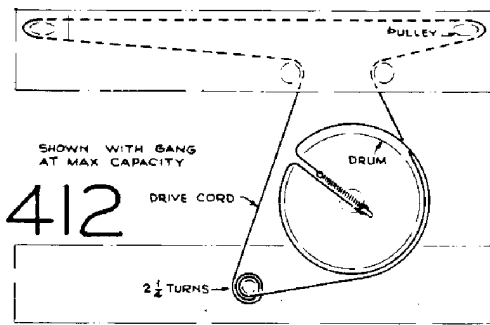
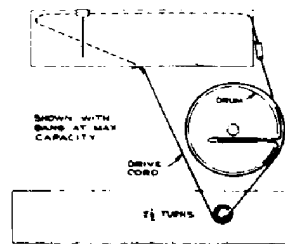
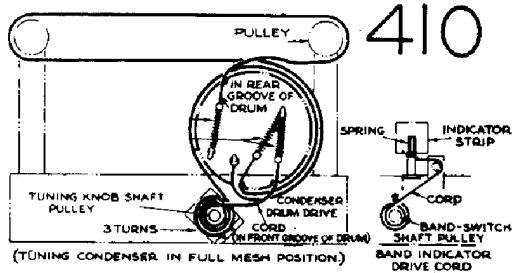
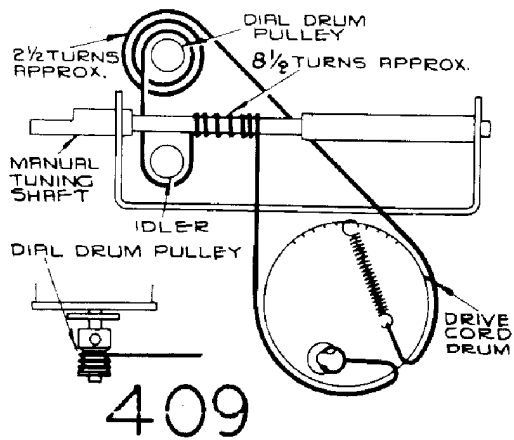
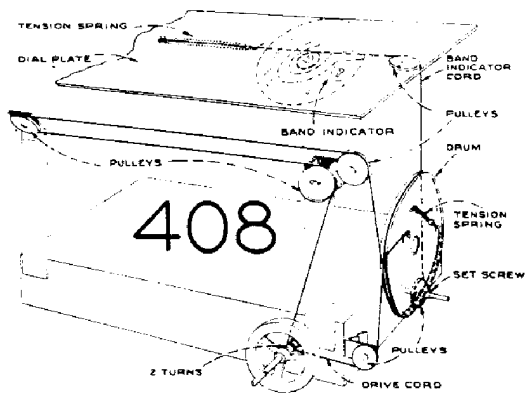
405

406

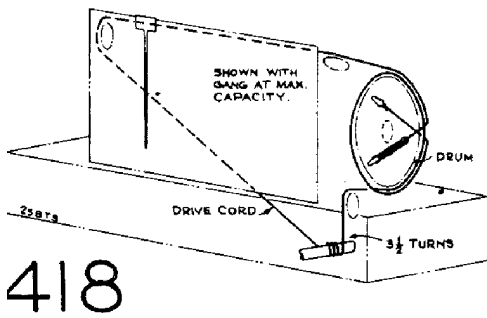
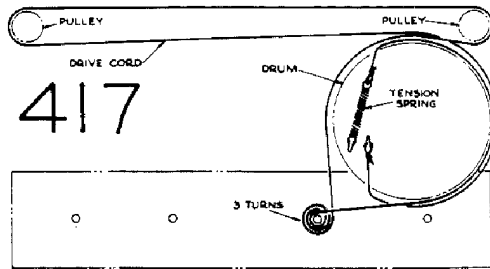
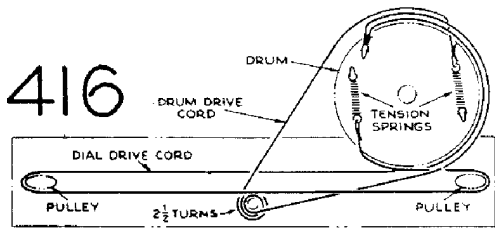


407

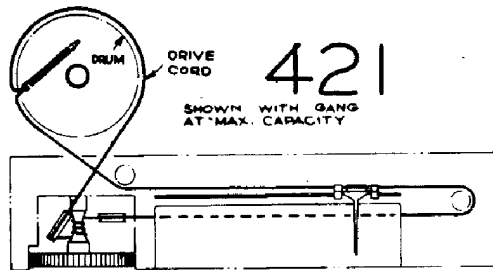
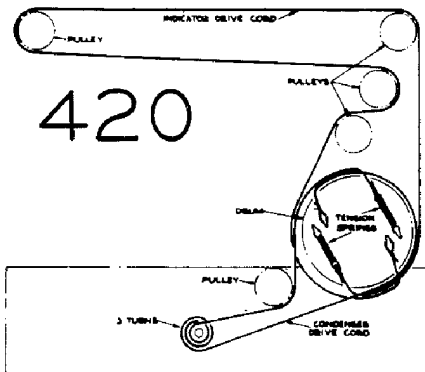
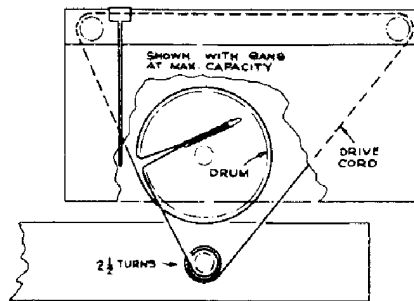




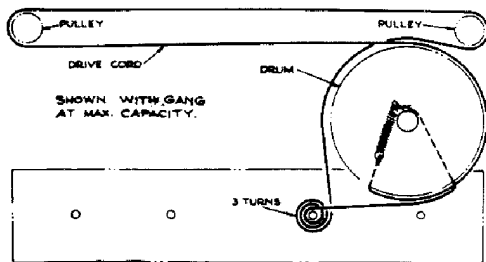
415



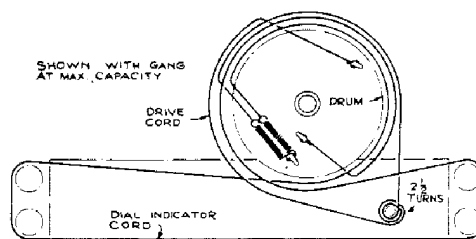
419

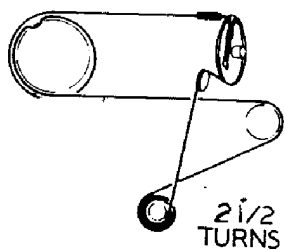


422

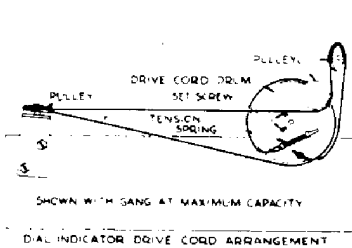


423

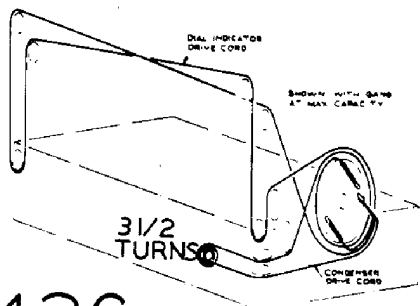
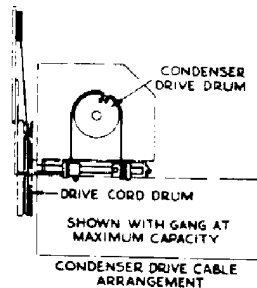




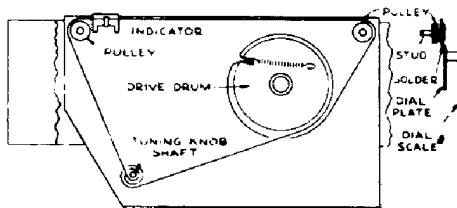
424



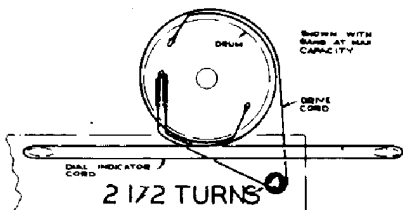
425



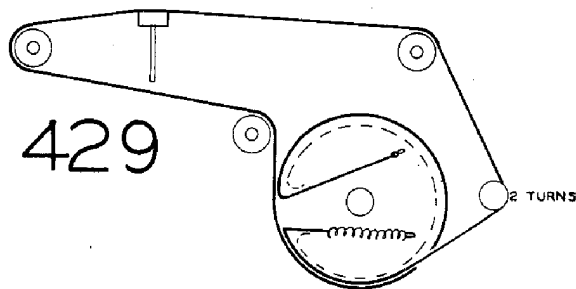
426



427

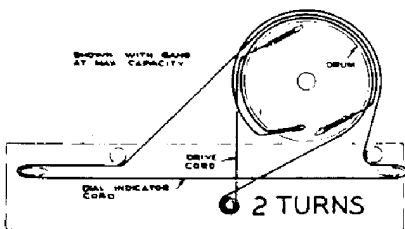


428

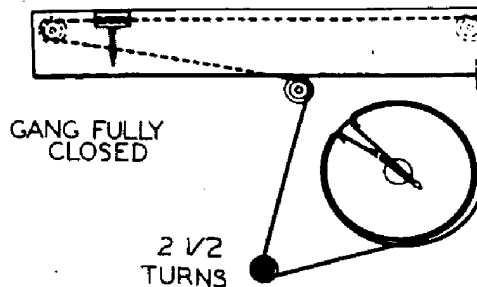


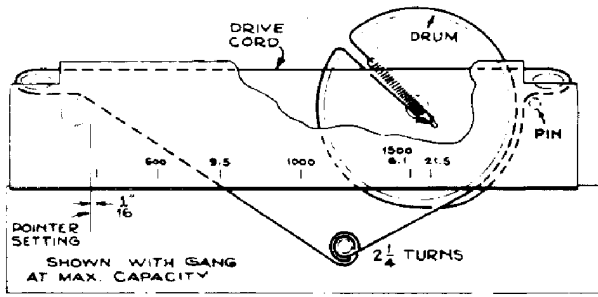
429

430

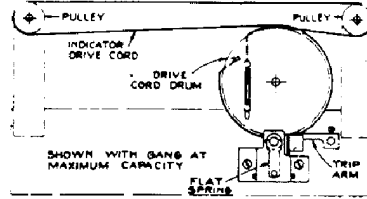
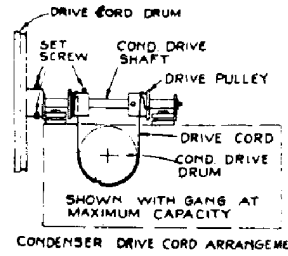


431

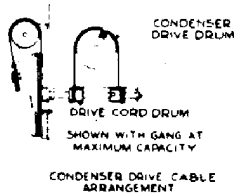




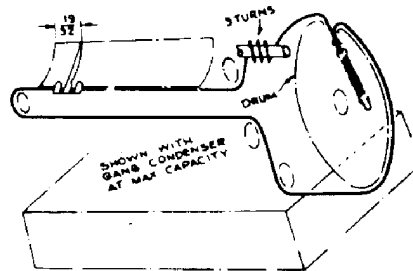
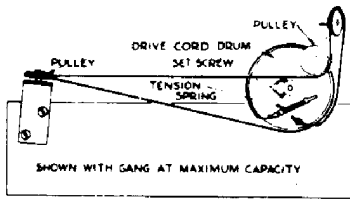
432



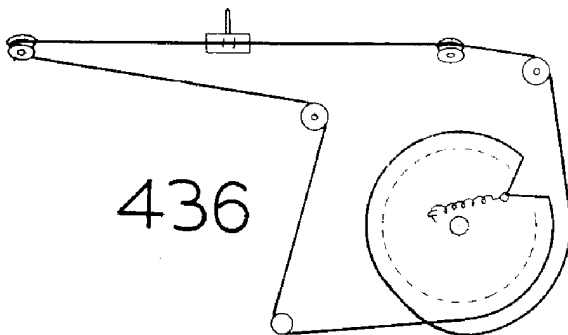
434



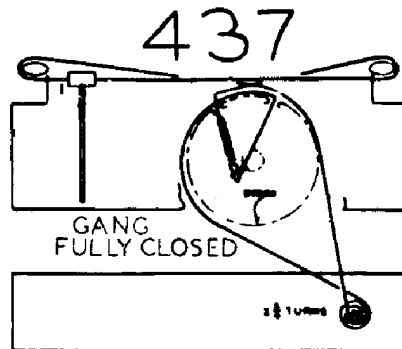
433



435



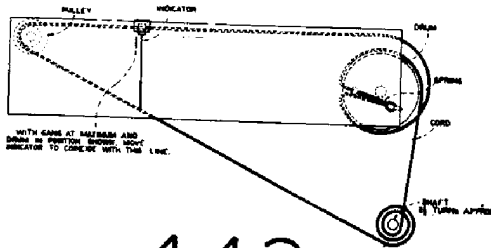
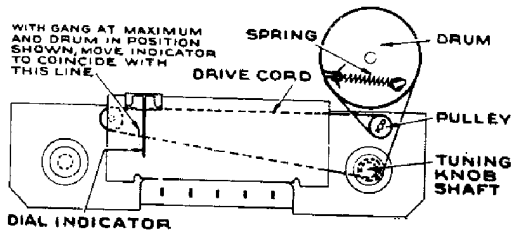
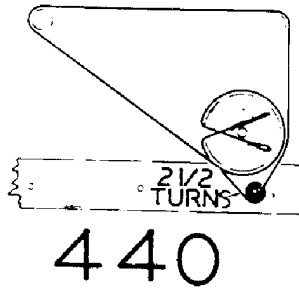
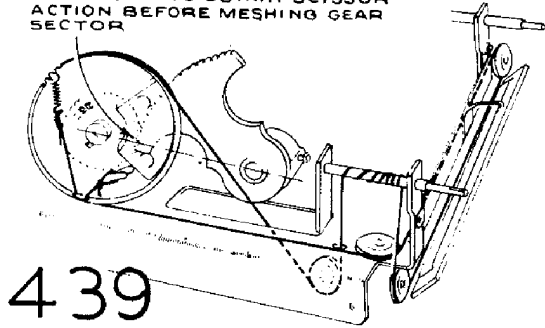
436



GANG FULLY CLOSED

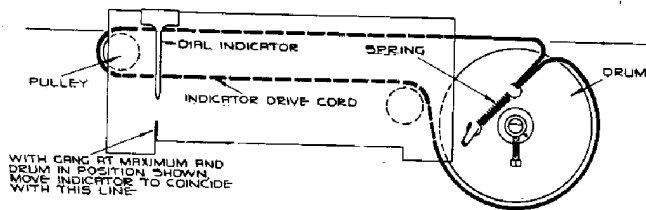
2 1/4 TURNS

TURN FREE GEAR CLOCKWISE
ONE TOOTH TO OBTAIN SCISSOR
ACTION BEFORE MESHING GEAR
SECTOR



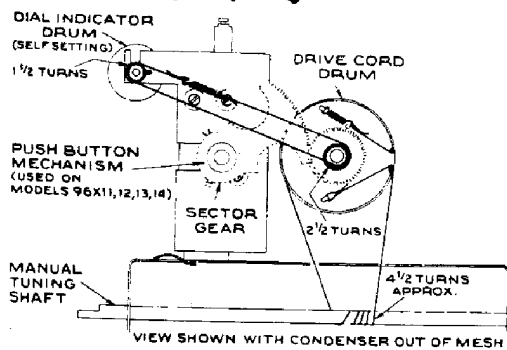
441

442

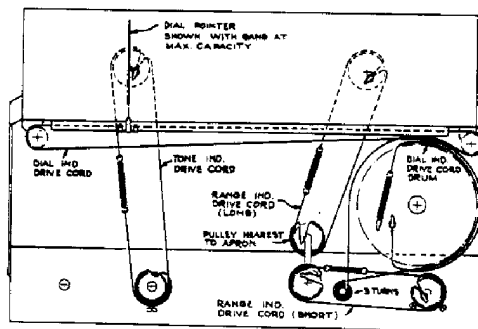


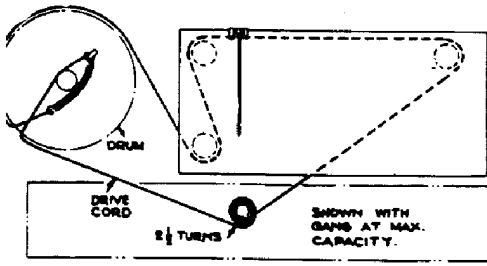
443

444

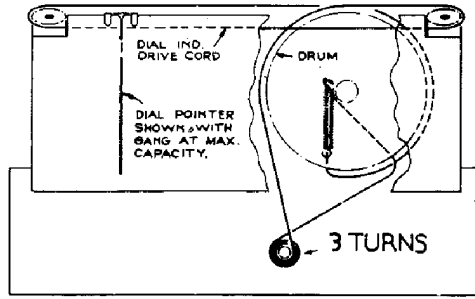


445

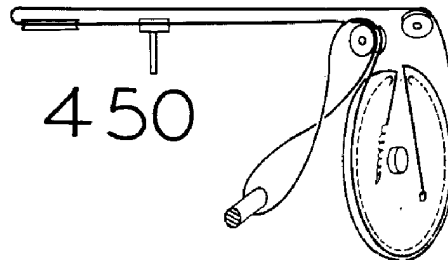
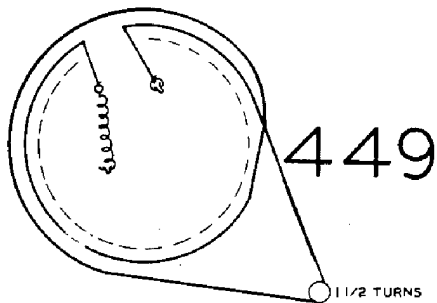
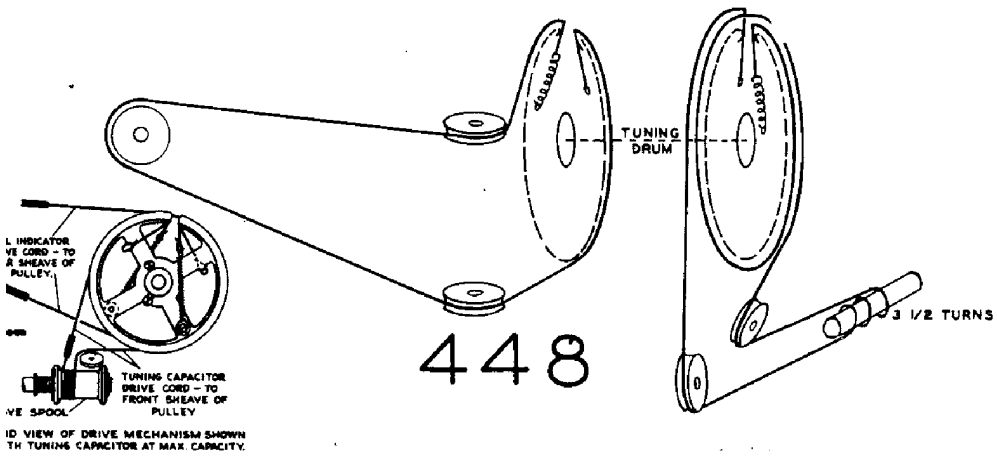


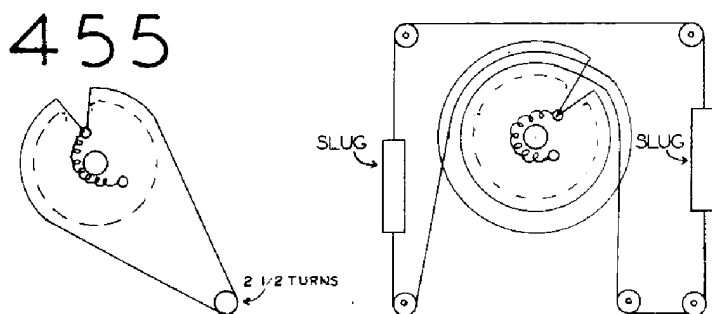
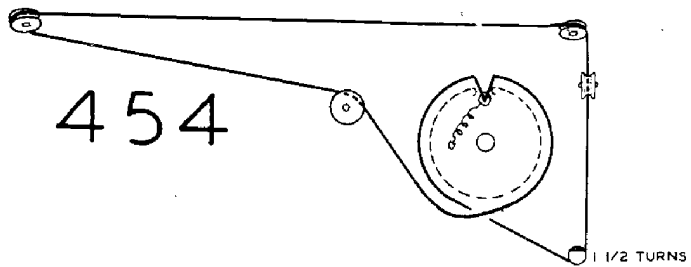
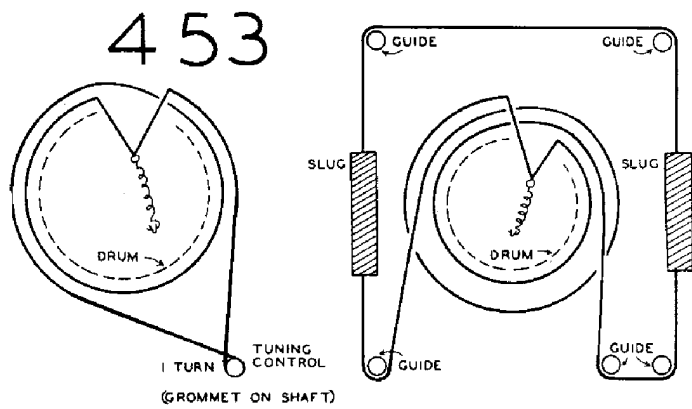
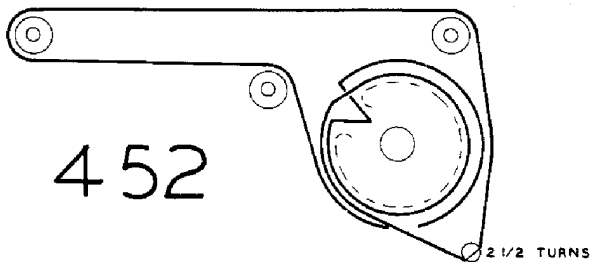
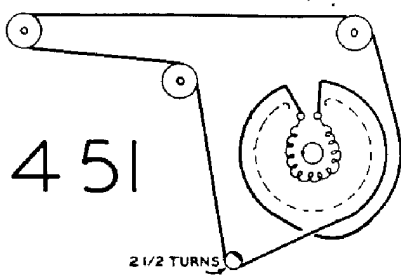


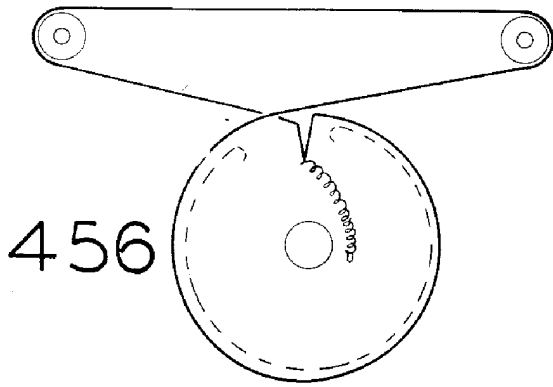
446



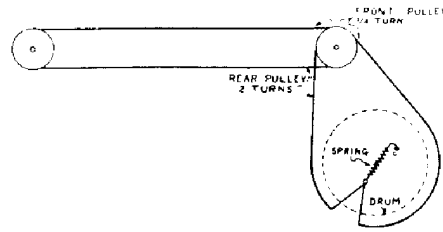
447



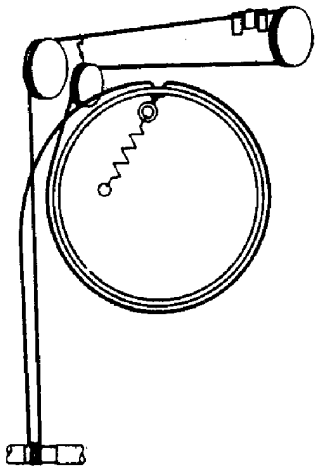




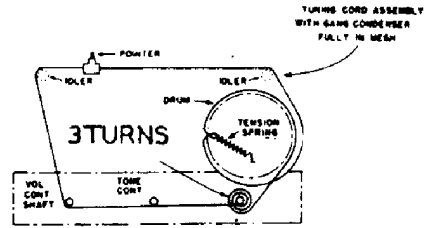
NOTE: Dial cord material is bronze wire - .063 diameter.



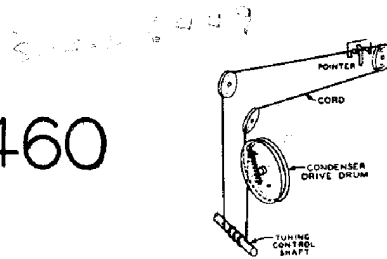
458



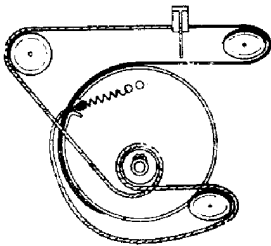
459



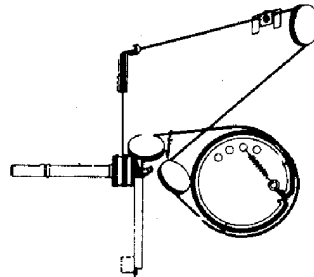
460

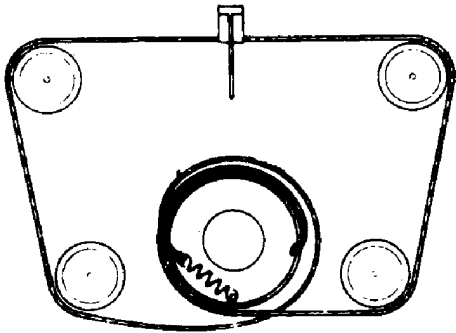


461

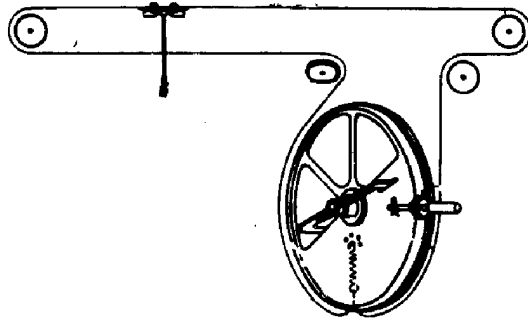


462

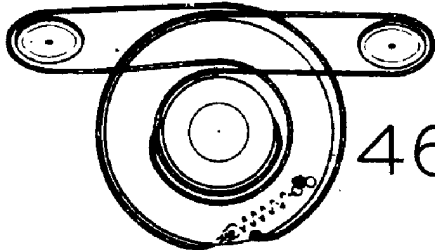




POINTER DRIVE HOOKUP

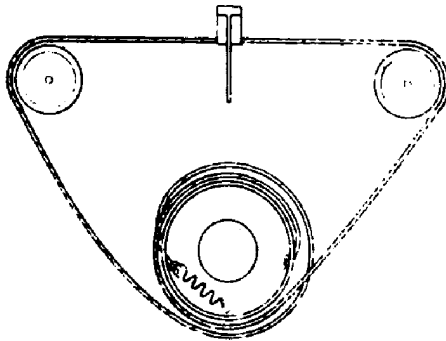


464



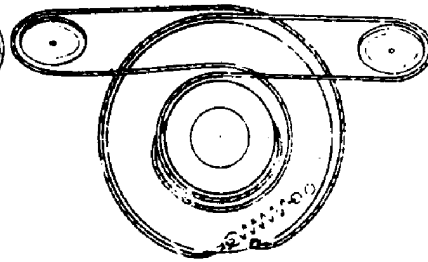
463

CONDENSER DRIVE HOOKUP

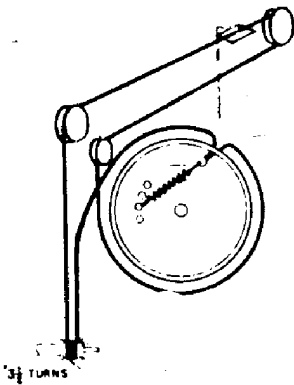


POINTER DRIVE HOOKUP

465

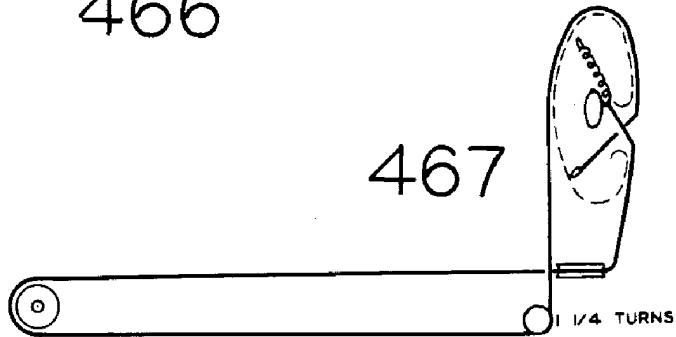


CONDENSER DRIVE HOOKUP



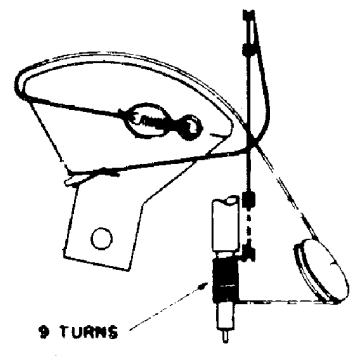
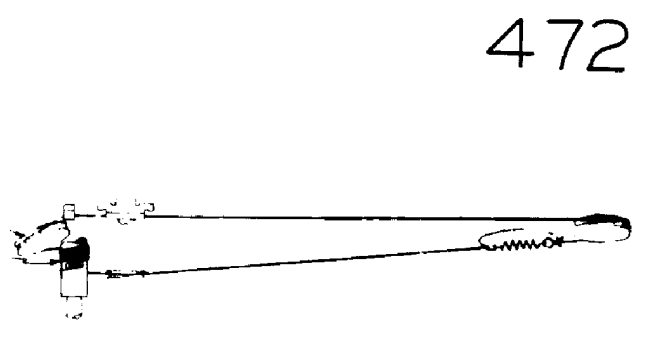
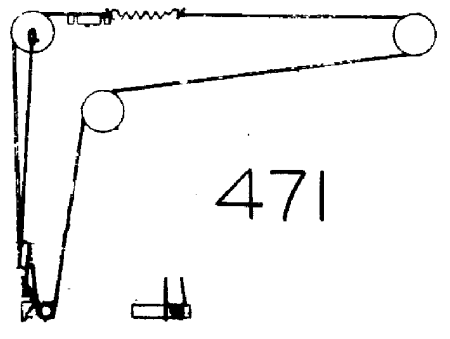
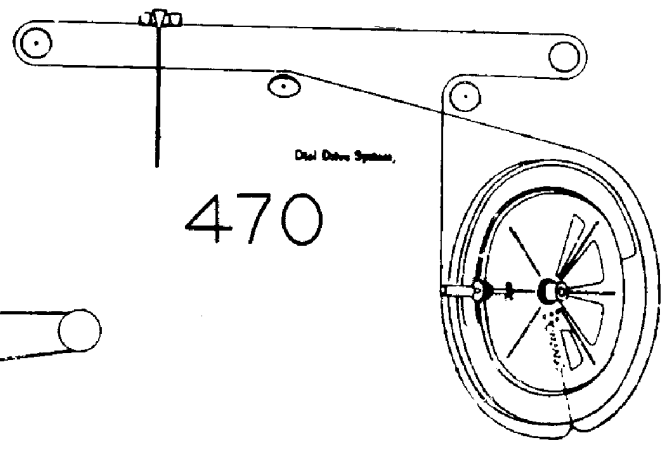
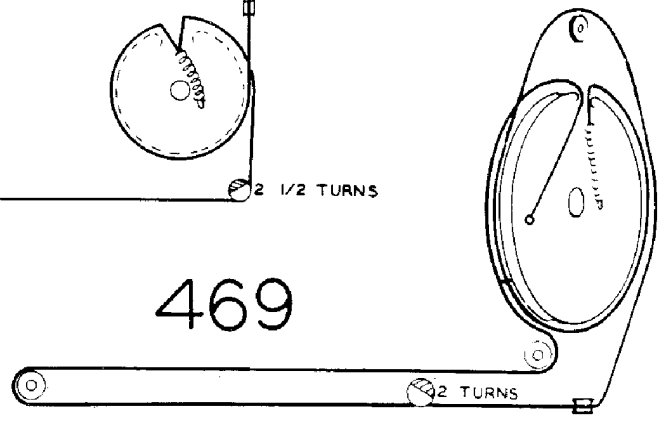
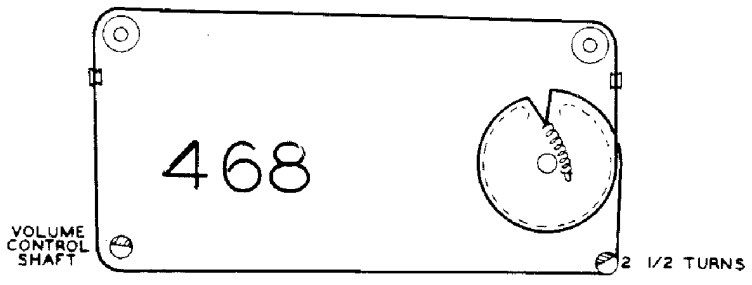
3/4 TURNS

466

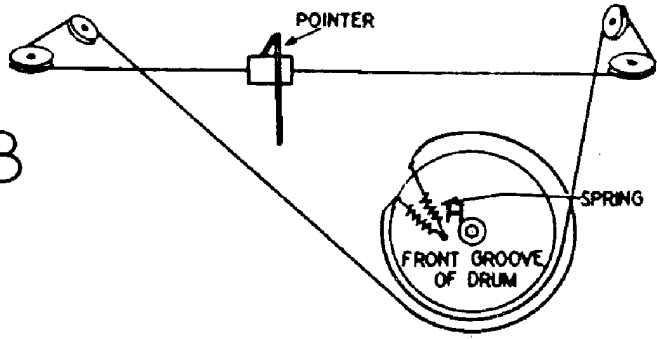


467

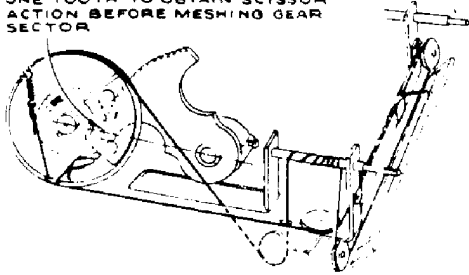
1/4 TURNS



473

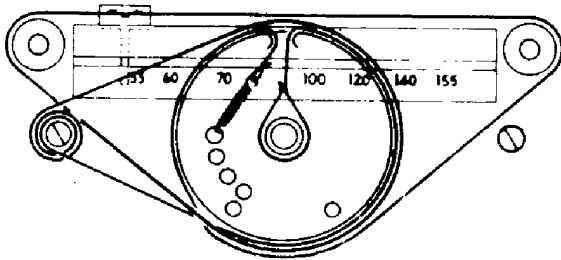
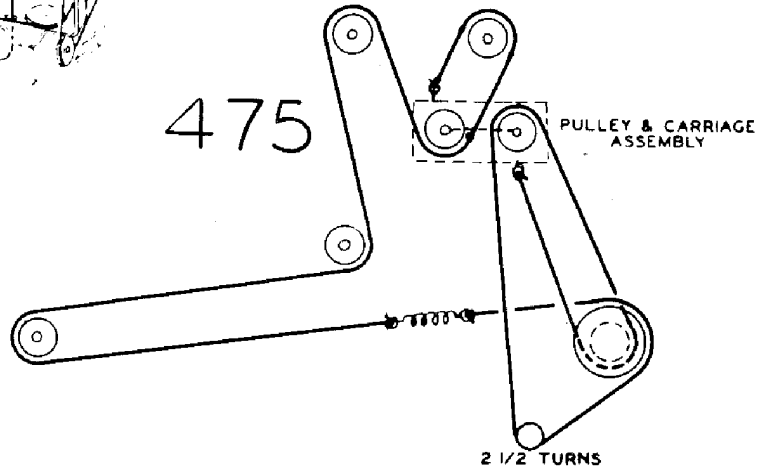


TURN FREE GEAR CLOCKWISE ONE TOOTH TO OBTAIN SCISSOR ACTION BEFORE MESHING GEAR SECTOR



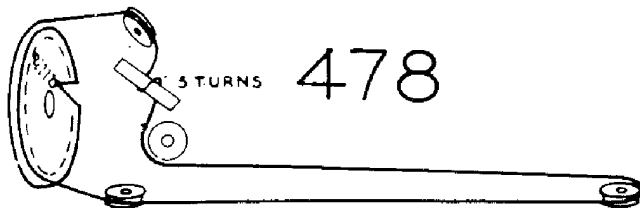
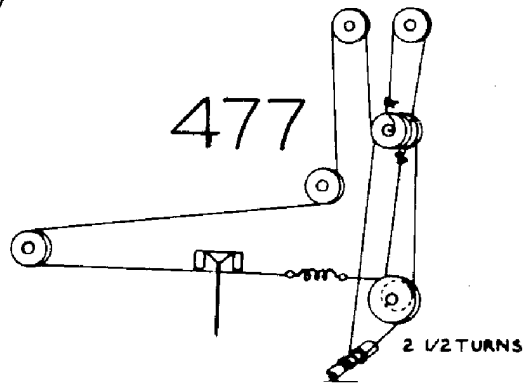
474

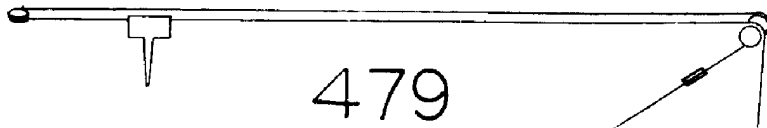
475



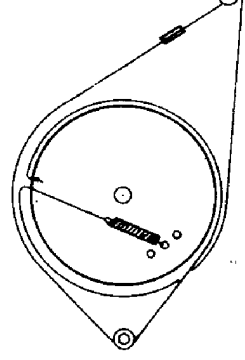
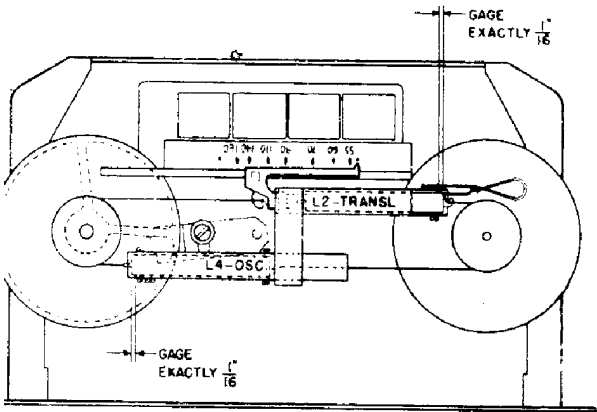
476

477

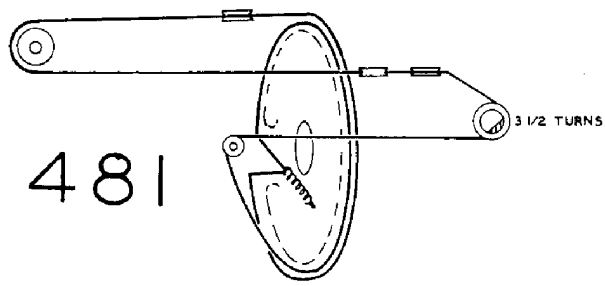




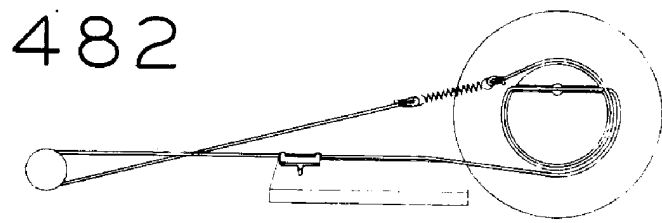
479



480

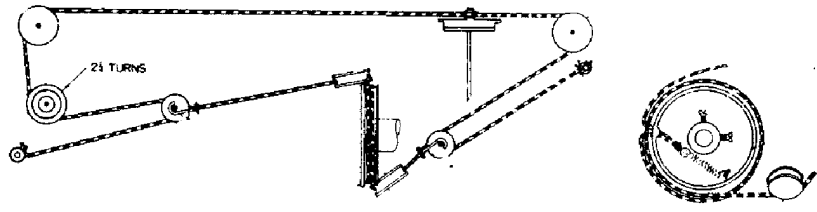


481

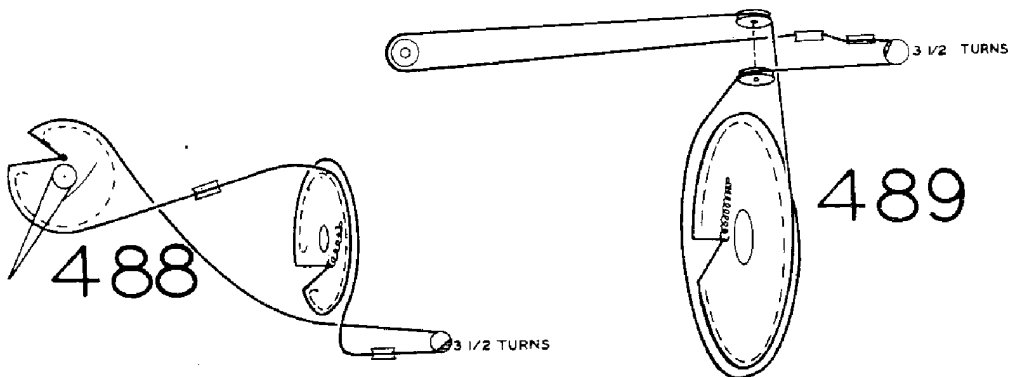
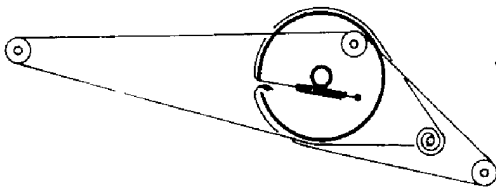
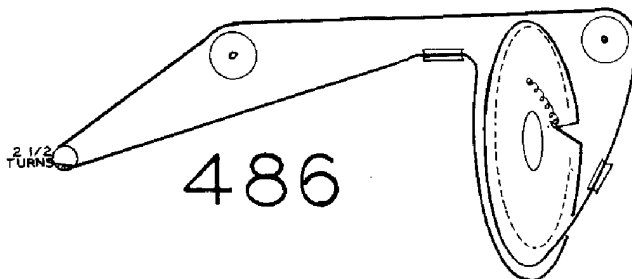
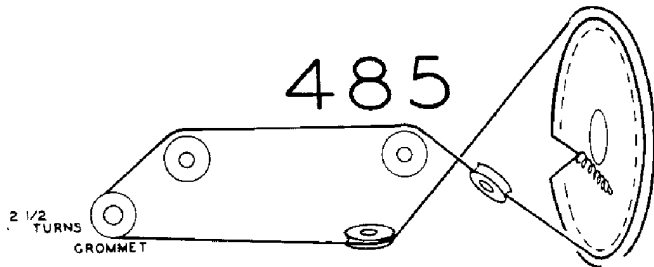
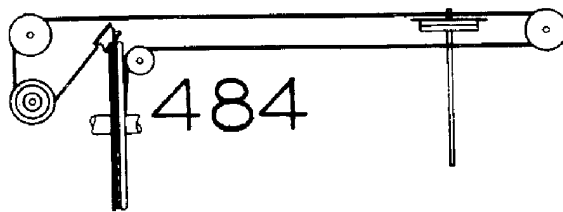
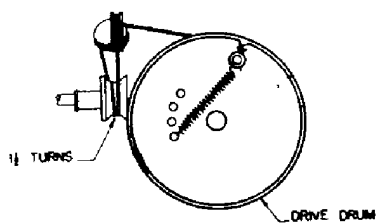


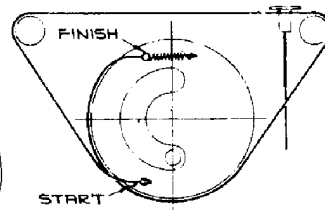
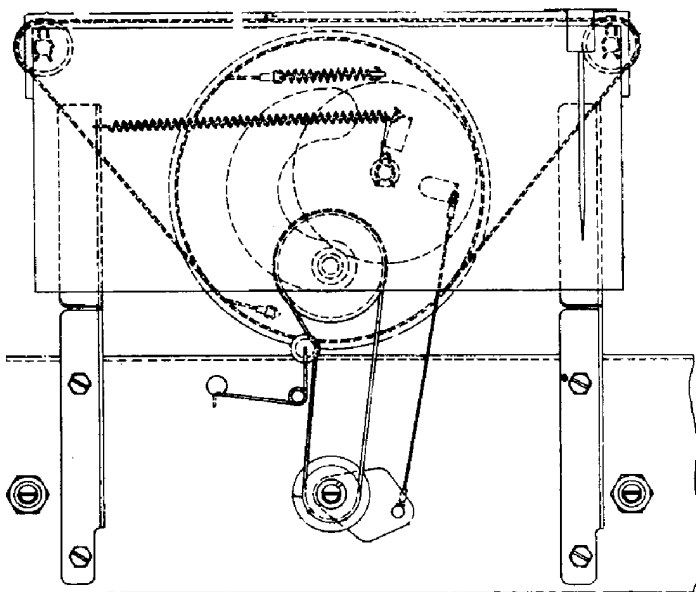
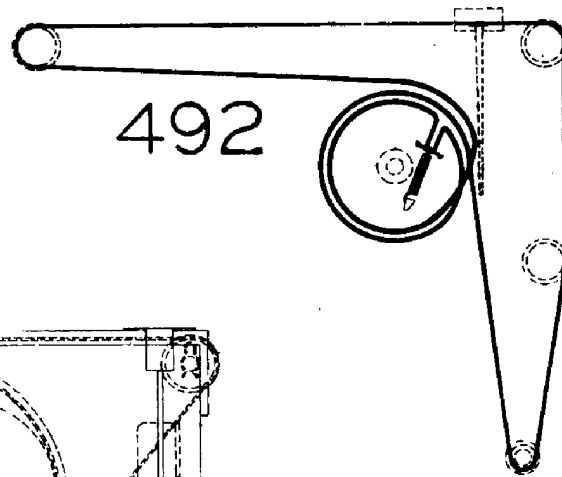
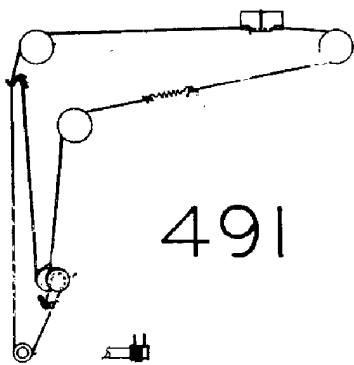
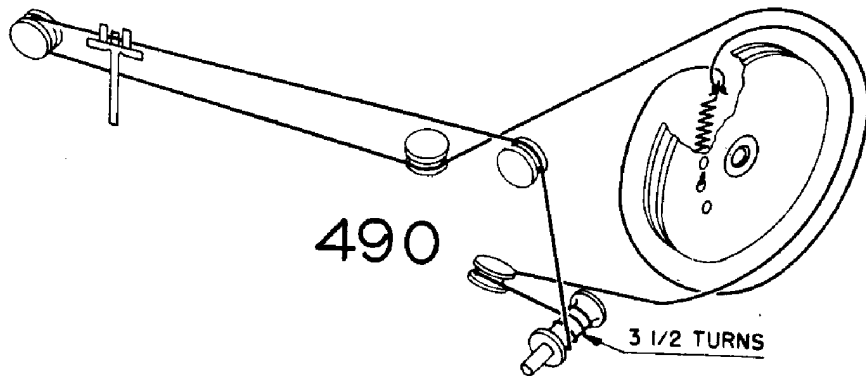
482

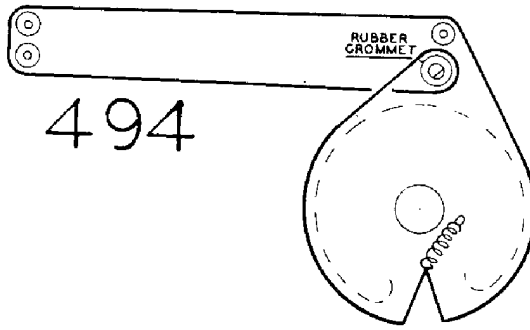
483



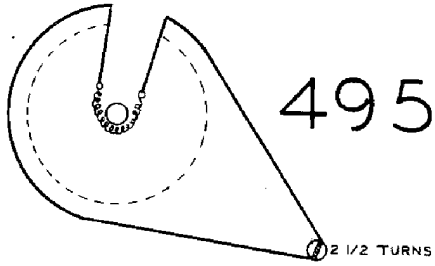
21 TURNS





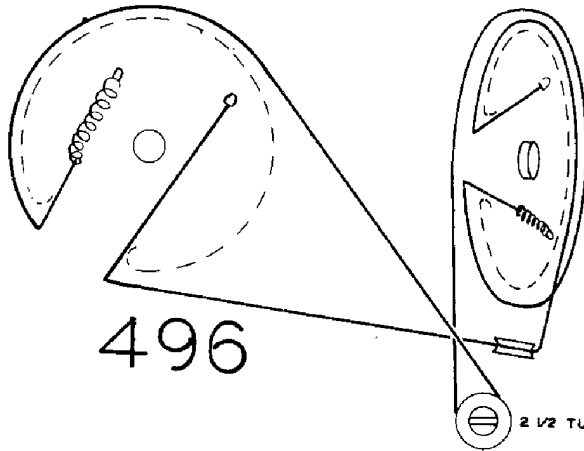


494



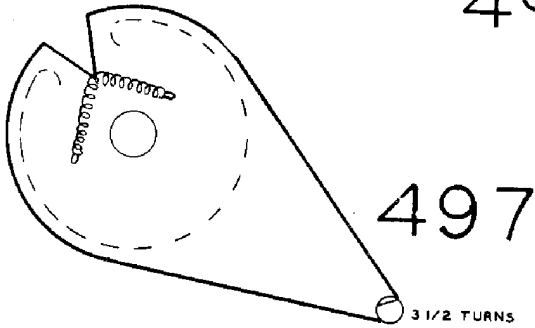
495

2 1/2 TURNS



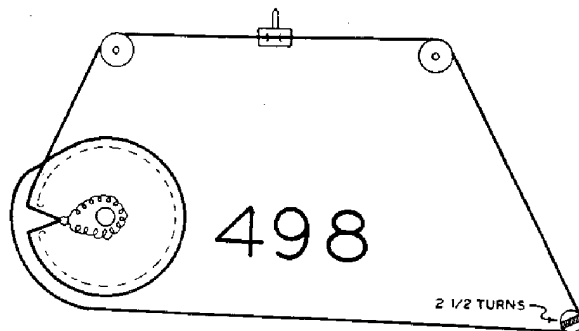
496

2 1/2 TURNS



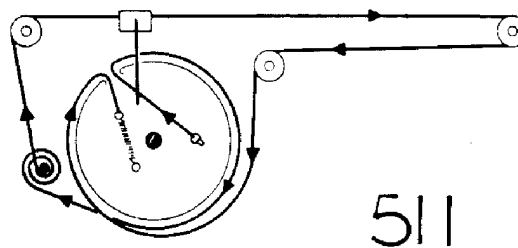
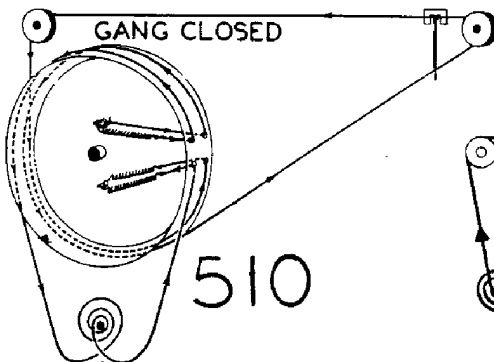
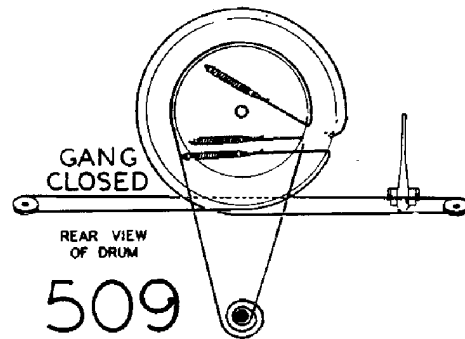
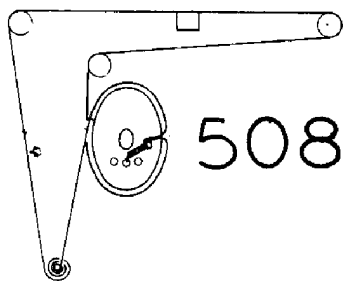
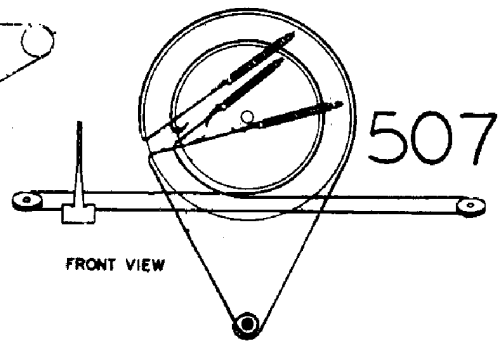
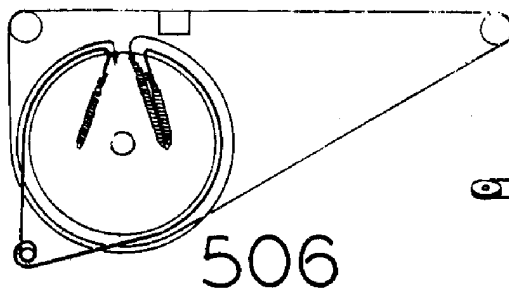
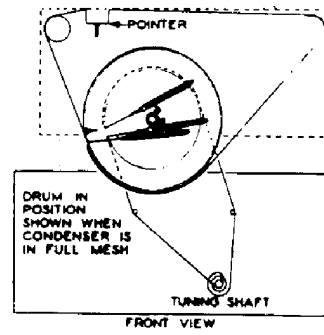
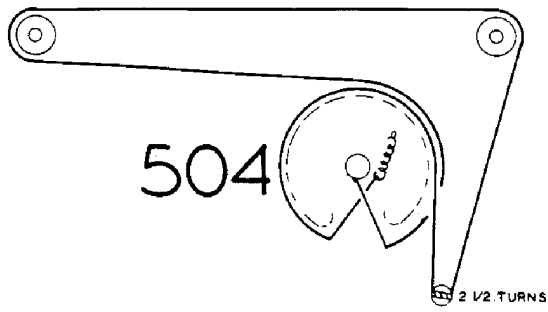
497

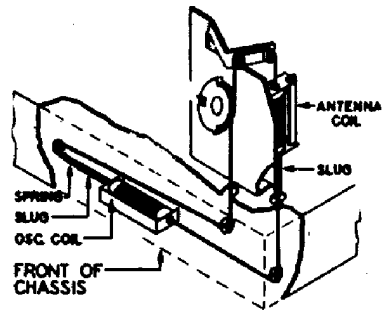
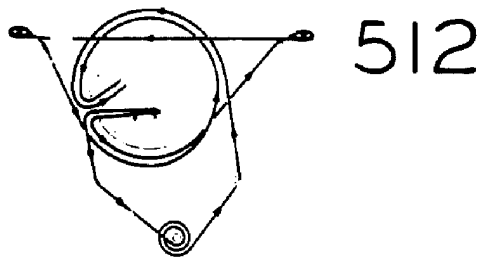
3 1/2 TURNS



498

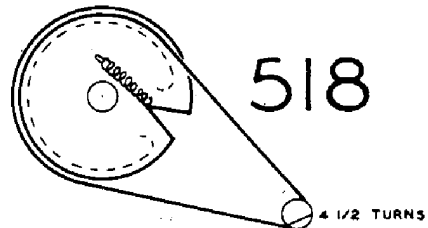
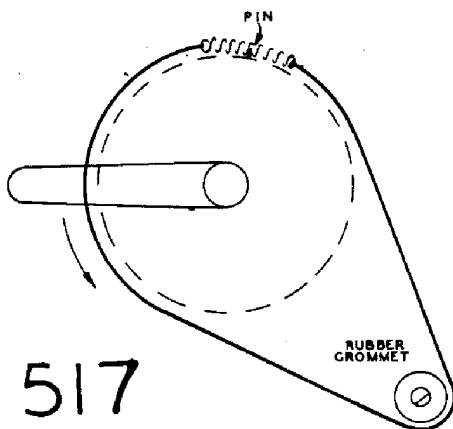
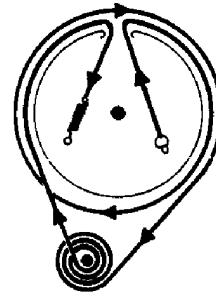
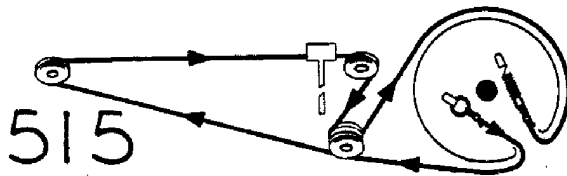
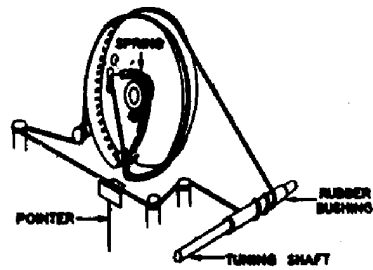
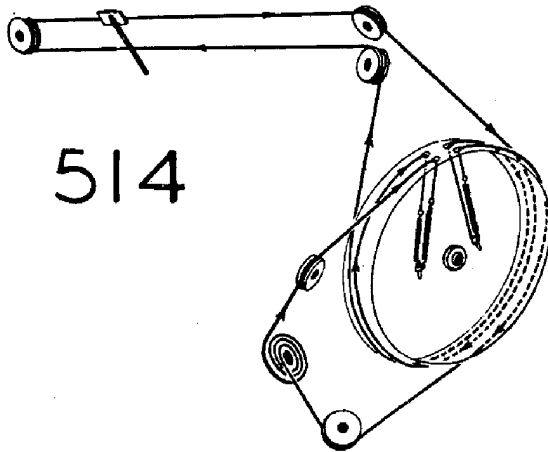
2 1/2 TURNS

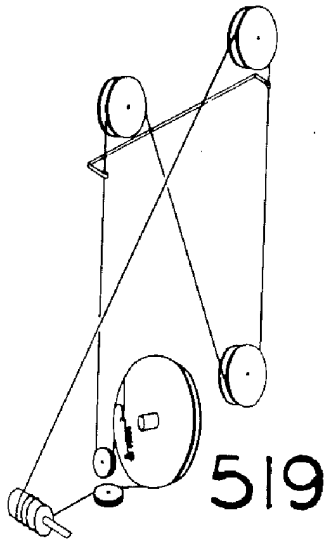




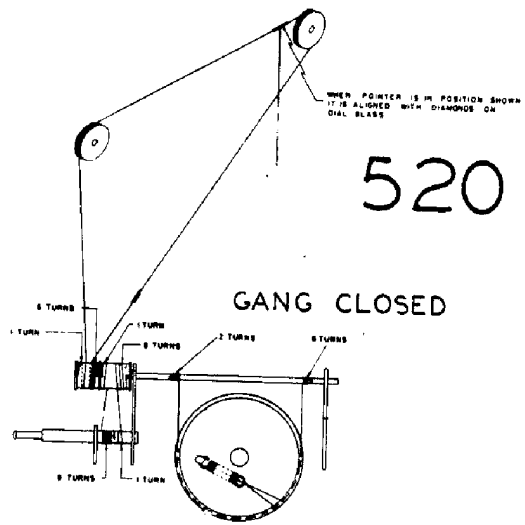
513

DRUM SHOWN WITH SLUGS IN FULL OUT POSITION



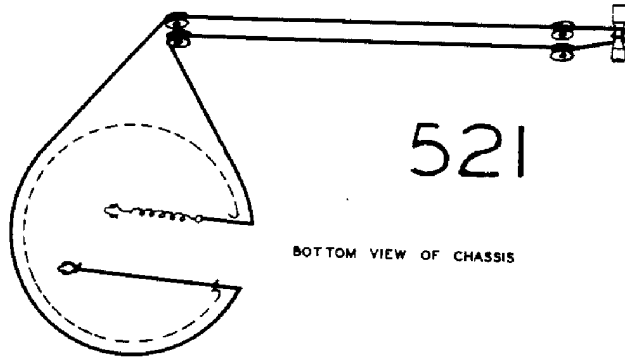


519



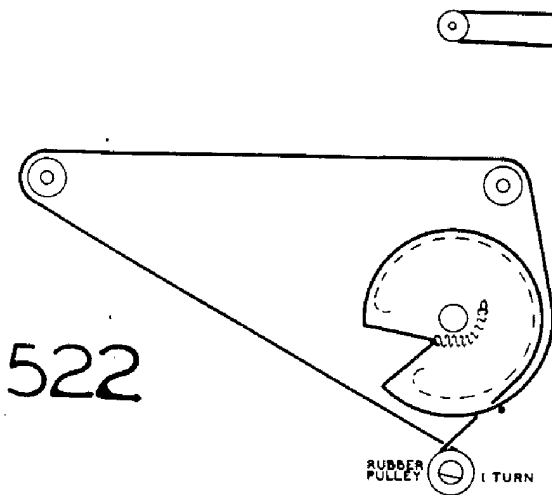
520

GANG CLOSED



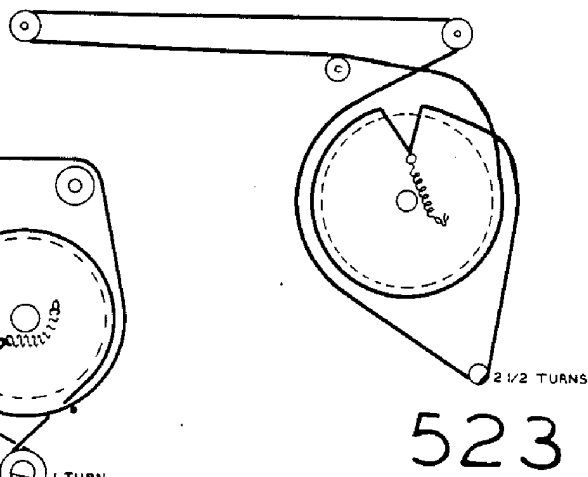
521

BOTTOM VIEW OF CHASSIS



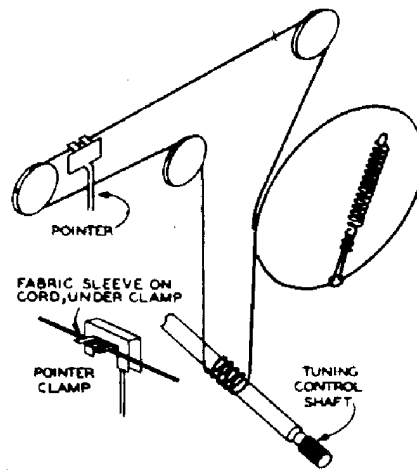
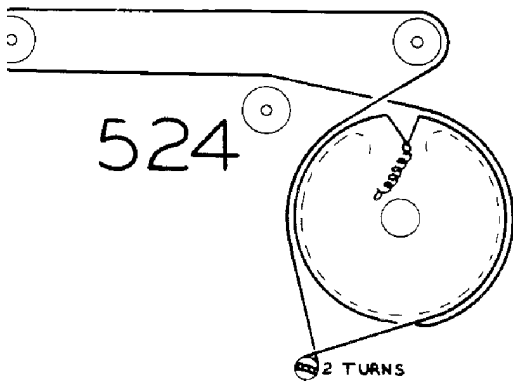
522

RUBBER PULLEY 1 TURN

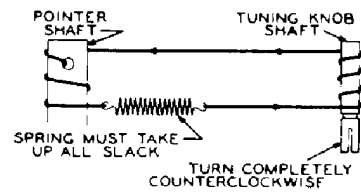
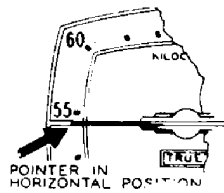
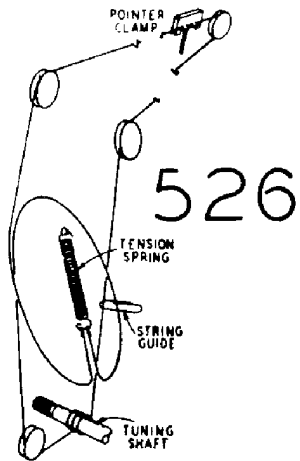


523

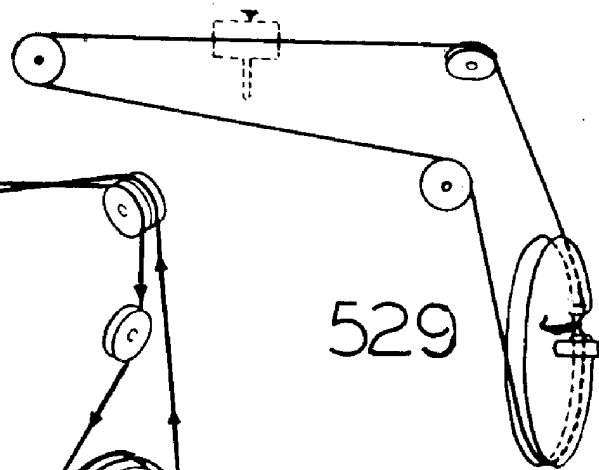
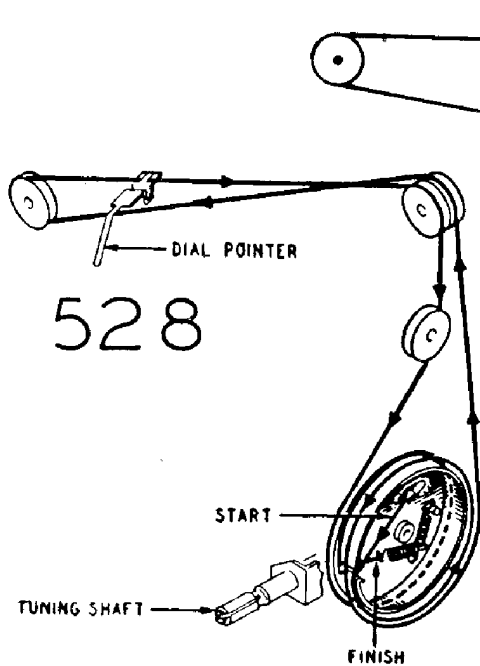
2 1/2 TURNS

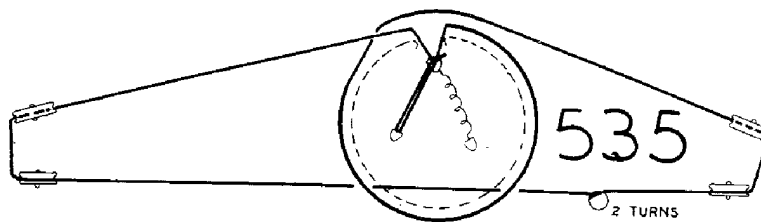
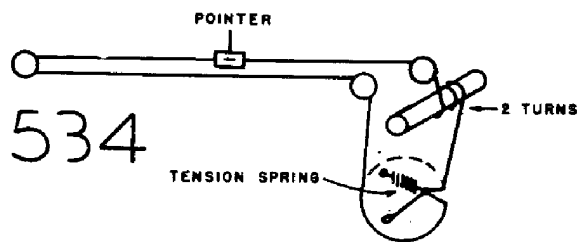
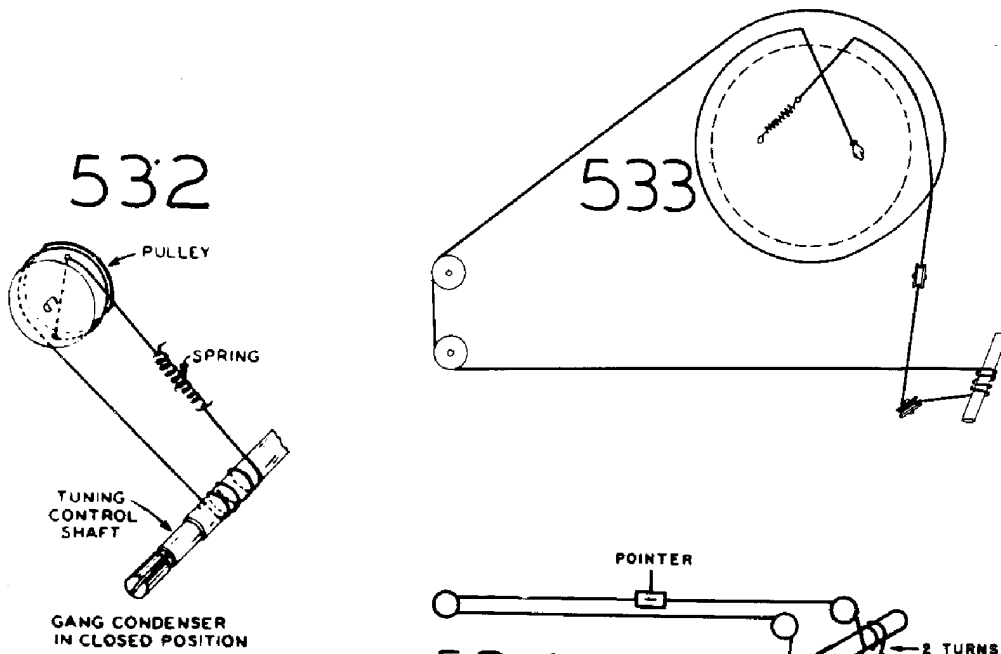
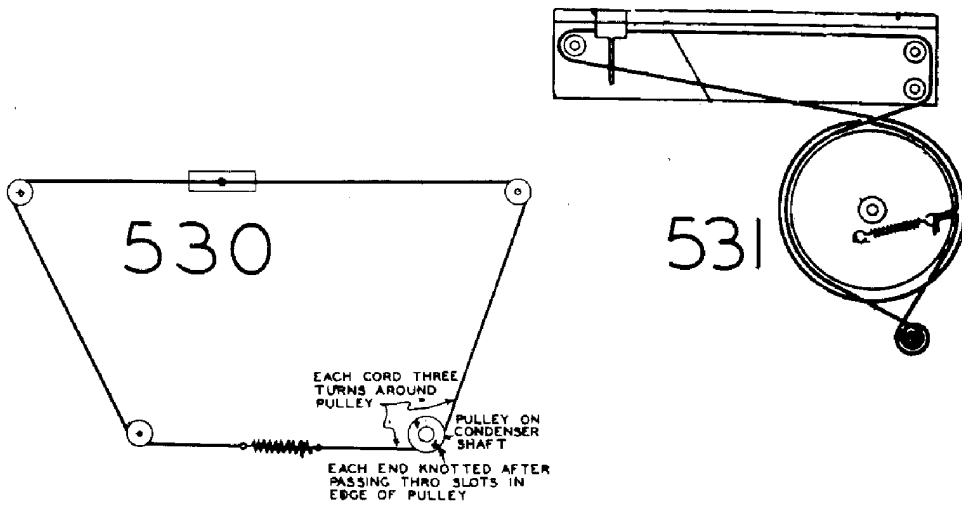


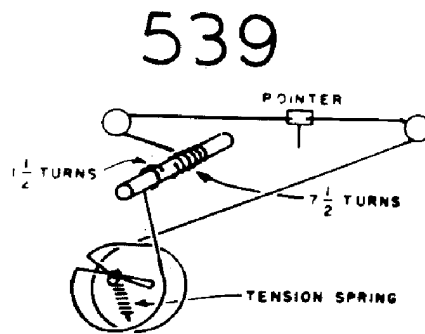
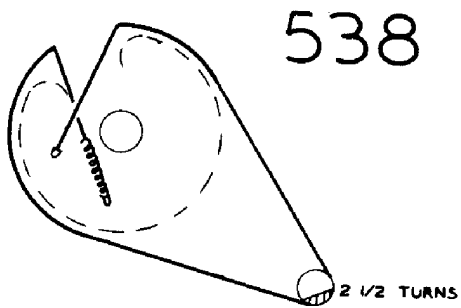
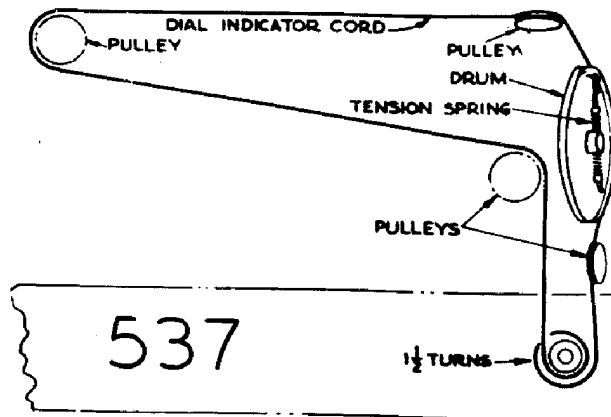
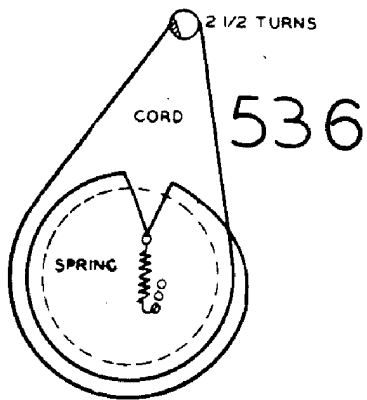
525



527

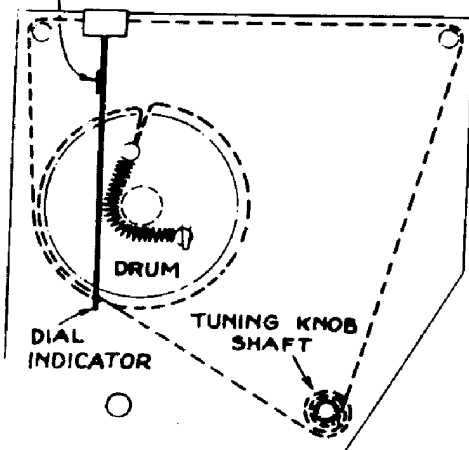






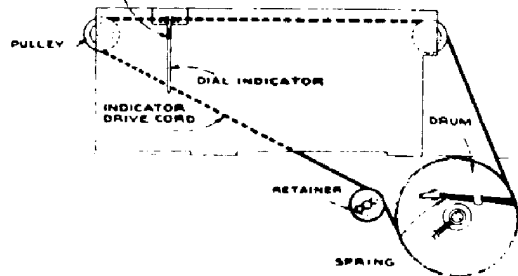
540

WITH CONDENSERS FULLY MESHED, AND DRUM IN POSITION SHOWN, INDICATOR SHOULD COINCIDE WITH THIS LINE.

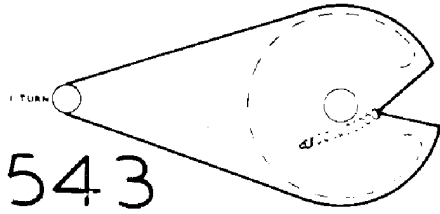
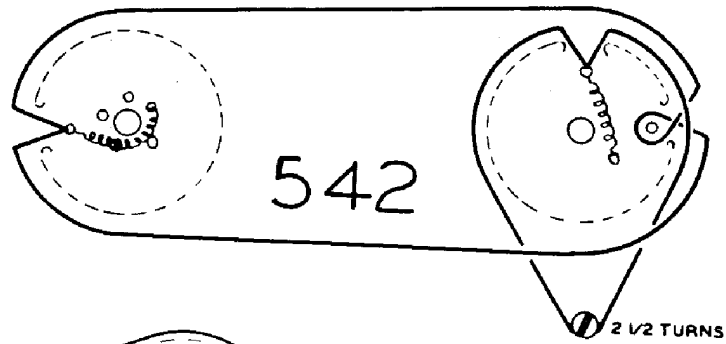


541

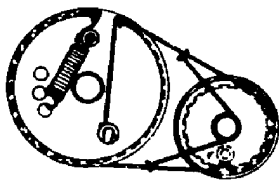
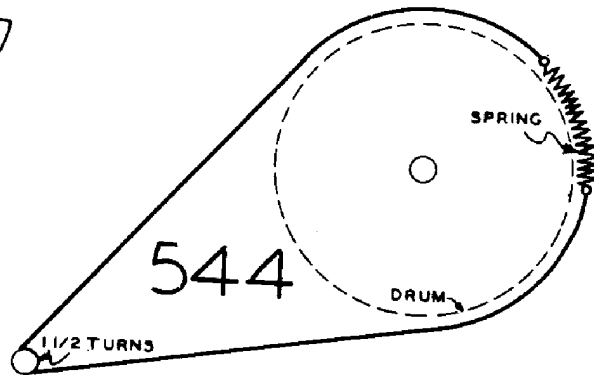
WITH GANG AT MAXIMUM AND DRUM IN POSITION SHOWN, MOVE INDICATOR TO COINCIDE WITH THIS LINE.



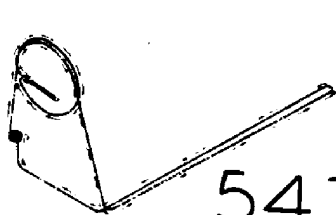
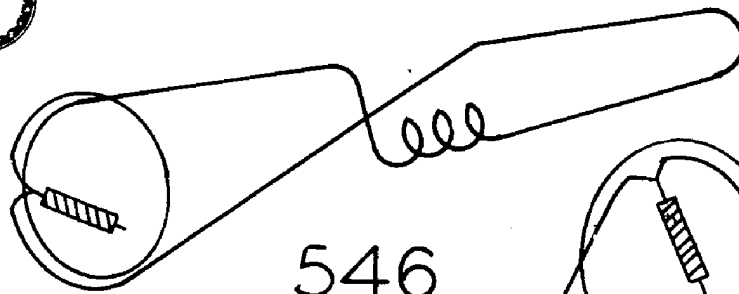
DRUM SHOWN WITH GANG AT MAXIMUM CAPACITY



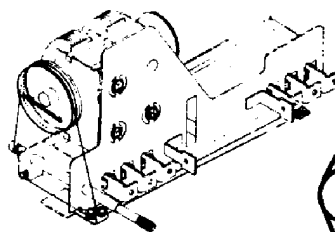
GANG MESHED DIAL
AT 540 K.C.



545



547



548

