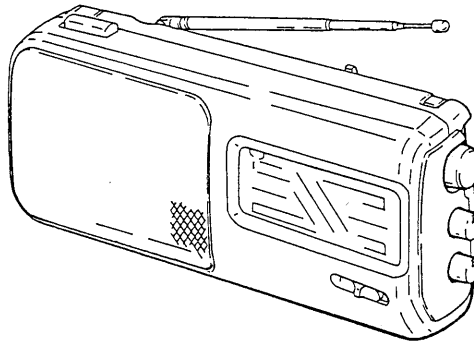


ICF-790L

SERVICE MANUAL

AEP Model
UK Model



ICF-790L is almost same as ICF-780L.

This manual contains only the points which differ from ICF-780L without exploded views.

Please refer to ICF-780L service manual (9-956-180-00) for the information not contained in this manual.

SPECIFICATIONS

Frequency range	FM: 87.6 - 107.5 MHz MW: 531 - 1602 kHz LW: 153 - 255 kHz
Intermediate frequency	FM: 10.7 MHz AM: 455 kHz
Speaker	Approx. 10.2 cm (4 1/8 inches) dia., 8 Ω
Power output	430 mW (at 10% harmonic distortion)
Output	Ⓢ jack (minijack)
Power requirements	With the supplied AC power cord: 220 - 230 V AC, 50 Hz With four R6 (size AA) batteries: 6 V DC
Dimensions	Approx. 258 × 133 × 65 mm (w/h/d) (10 1/4 × 5 1/4 × 2 5/8 inches) incl. projecting parts and control with carrying handle pushed in.
Mass	Approx. 975 g (2 lb 2 oz) incl. batteries
Supplied accessory	AC power cord (1)

Design and specifications are subject to change without notice.

FM/MW/LW 3 BAND RADIO
SONY®

1. EXPLODED VIEWS

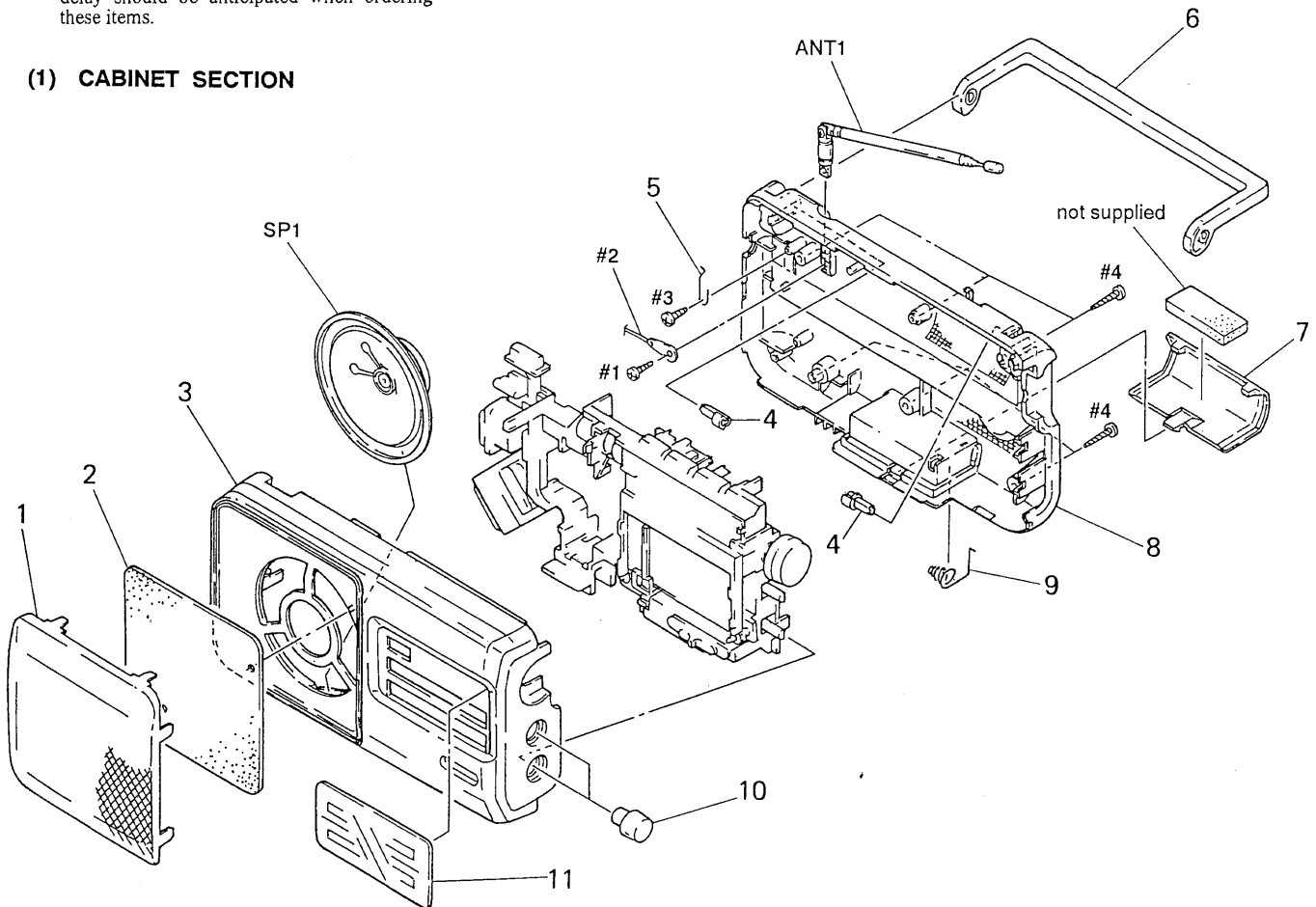
NOTE:

- Color Indication of Appearance Parts
Example:
KNOB, BALANCE (WHITE) ... (RED)

↑
↑

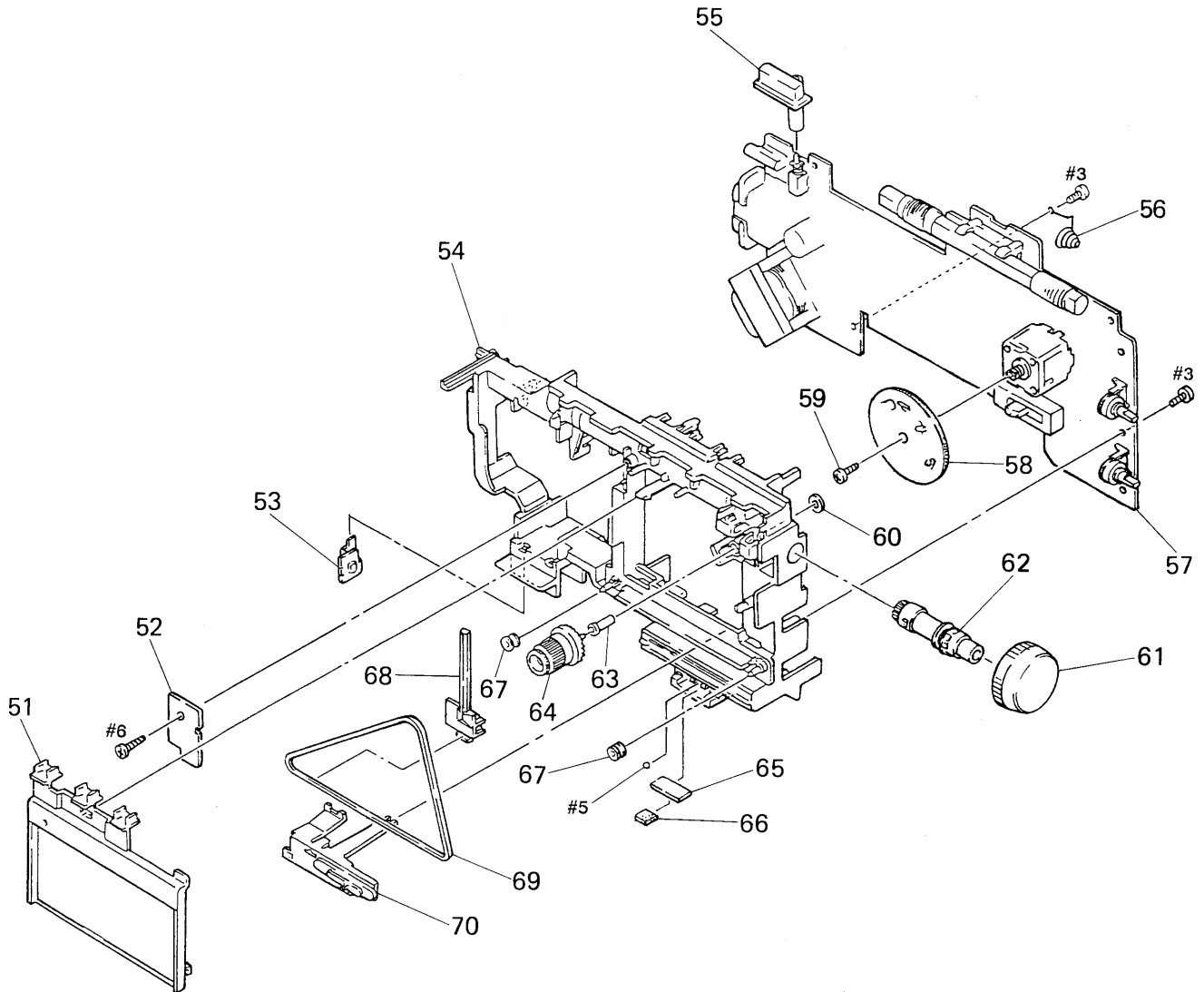
Parts Color
Cabinet's Color
- Items marked "*" are not stocked since they are seldom required for routine service. Some delay should be anticipated when ordering these items.
- The mechanical parts with no reference number in the exploded views are not supplied.
- Hardware (# mark) list and accessories and packing materials are given in the last of the electrical parts list.

(1) CABINET SECTION



Ref. No.	Part No.	Description	Remark	Ref. No.	Part No.	Description	Remark
1	3-925-935-01	GRILLE (SP) (BLACK) ... (BLACK)		7	3-363-392-11	LID, BATTERY CASE (WHITE) ... (WHITE) (AEP)	
1	3-925-935-11	GRILLE (SP) (WHITE) ... (WHITE) (AEP)		7	3-363-392-21	LID, BATTERY CASE (GRAY) ... (GRAY) (AEP)	
1	3-925-935-21	GRILLE (SP) (GRAY) ... (GRAY) (AEP)		8	3-925-929-21	CABINET (REAR) (BLACK) ... (BLACK) (AEP)	
2	3-925-934-01	SHEET (SP)		8	3-925-929-31	CABINET (REAR) (WHITE) ... (WHITE) (AEP)	
3	3-925-928-21	CABINET (FRONT) (BLACK) ... (BLACK)		8	3-925-929-41	CABINET (REAR) (GRAY) ... (GRAY) (AEP)	
3	3-925-928-31	CABINET (FRONT) (WHITE) ... (WHITE) (AEP)		8	3-925-929-71	CABINET (REAR) (BLACK) ... (BLACK) (UK)	
3	3-925-928-41	CABINET (FRONT) (GRAY) ... (GRAY) (AEP)		9	3-363-363-01	SPRING, PLUS. MINUS	
4	3-363-372-01	SHAFT (HANDLE)		10	3-925-931-01	KNOB (CONTROL) (BLACK) ... (BLACK)	
5	3-926-910-01	SPRING, CLICK		10	3-925-931-11	KNOB (CONTROL) (WHITE) ... (WHITE) (AEP)	
6	3-363-379-31	HANDLE (BLACK) ... (BLACK)		10	3-925-931-21	KNOB (CONTROL) (GRAY) ... (GRAY) (AEP)	
6	3-363-379-41	HANDLE (WHITE) ... (WHITE) (AEP)		11	3-925-933-11	PANEL	
6	3-363-379-51	HANDLE (GRAY) ... (GRAY) (AEP)		ANT1	1-501-362-11	ANTENNA, TELESCOPIC	
7	3-363-392-01	LID, BATTERY CASE (BLACK) ... (BLACK)		SP1	1-544-406-11	SPEAKER	

(2) CHASSIS SECTION



Ref.No.	Part No.	Description	Remark	Ref.No.	Part No.	Description	Remark
* 51	3-363-391-11	PLATE, BACK		61	3-363-374-21	KNOB (T) (GRAY) ... (GRAY) (AEP)	
* 52	1-637-489-11	LED BOARD		62	3-363-375-01	SHAFT (TUNING)	
53	3-363-361-01	TERMINAL BOARD, BATTERY		63	3-363-367-01	BEARING	
* 54	3-363-383-01	CHASSIS		64	3-363-373-01	GEAR, MIDWAY	
55	3-363-371-01	BUTTON (POWER)		65	3-363-362-01	SPRING, LEAF	
56	3-363-364-01	SPRING, MINUS		66	4-880-925-01	RETAINER, SPRING	
* 57	A-3662-313-A	MAIN BOARD, COMPLETE (AEP)		67	3-304-108-00	PULLEY	
* 57	A-3662-317-A	MAIN BOARD, COMPLETE (UK)		68	3-925-932-01	POINTER	
58	3-363-387-01	DRUM (A)		69	3-363-369-01	BELT	
59	3-364-941-11	SCREW (+B) (2. 6X5), NYLOK		70	3-925-930-01	KNOB (BAND) (BLACK) ... (BLACK)	
60	3-364-731-01	WASHER, POLY-SLIDER		70	3-925-930-11	KNOB (BAND) (WHITE) ... (WHITE) (AEP)	
61	3-363-374-01	KNOB (T) (BLACK) ... (BLACK)		70	3-925-930-21	KNOB (BAND) (GRAY) ... (GRAY) (AEP)	
61	3-363-374-11	KNOB (T) (WHITE) ... (WHITE) (AEP)					

2. DIFFERENCE ELECTRICAL PARTS LIST

NOTE:

- Items marked "*" are not stocked since they are seldom required for routine service. Some delay should be anticipated when ordering these items.

Page	Ref. No.	ICF-780L	ICF-790L
13		Part No. Description	Part No. Description
		* A-3661-192-A MAIN BOARD (HAND), COMPLETE (AEP)	* A-3662-313-A MAIN BOARD, COMPLETE (AEP)
		* A-3661-197-A MAIN BOARD (HAND), COMPLETE (UK)	* A-3662-317-A MAIN BOARD, COMPLETE (UK)
		3-363-359-01 PLATE, CONTACT, SPEAKER	
	C4		1-163-105-00 CERAMIC CHIP 33PF 5% 50V
	CF2	1-577-324-11 FILTER, CERAMIC (AEP)	1-760-144-61 FILTER, CERAMIC (AEP)
	CF3	1-577-324-11 FILTER, CERAMIC (AEP)	1-760-144-61 FILTER, CERAMIC (AEP)
14	T2	△1-450-325-11 TRANSFORMER, POWER (UK)	△1-450-324-11 TRANSFORMER, POWER

3. ACCESSORIES & PACKING MATERIALS AND HARDWARE LIST

Ref.No.	Part No.	Description	Remark
		ACCESSORIES & PACKING MATERIALS	

	△	1-590-866-21 CORD, POWER (UK)	
	△	1-696-562-11 CORD, POWER (AEP)	
		3-800-174-11 MANUAL, INSTRUCTION	
		(ENGLISH, FRENCH, GERMAN, SPANISH, DUTCH, SWEDISH, ITALIAN, PORTUGUESE)	
	*	3-925-945-01 INDIVIDUAL CARTON	

HARDWARE LIST

#1	7-685-134-19	SCREW +P 2.6X8 TYPE2 NON-SLIT
#2	7-623-508-01	LUG, 3
#3	7-685-547-19	SCREW +BTP 3X10 TYPE2 N-S
#4	7-685-651-79	SCREW +BTP 3X20 TYPE2 N-S
#5	7-671-112-11	BALL, STEEL
#6	7-685-533-19	SCREW +BTP 2.6X6 TYPE2 N-S

The components identified by mark △ or dotted line with mark △ are critical for safety. Replace only with part number specified.