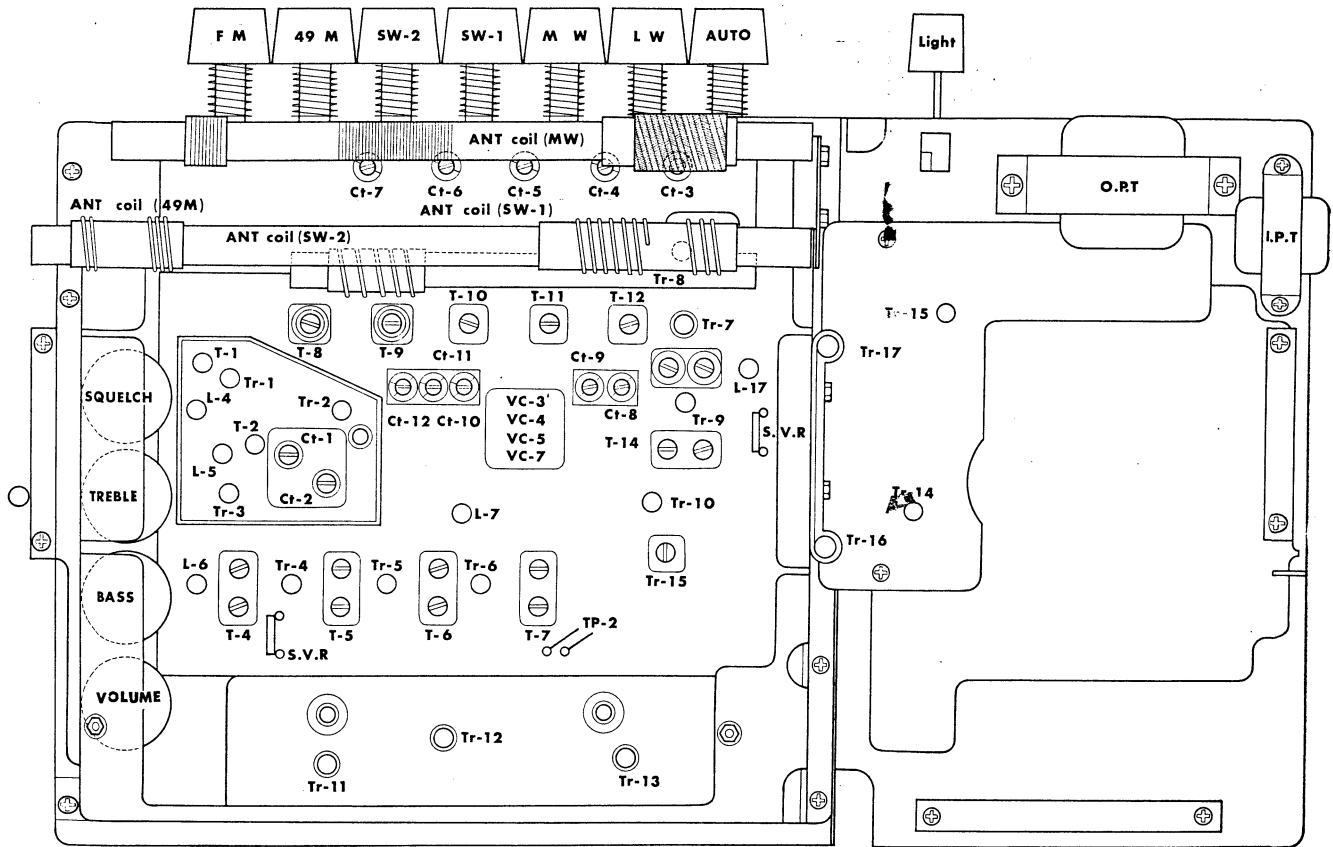
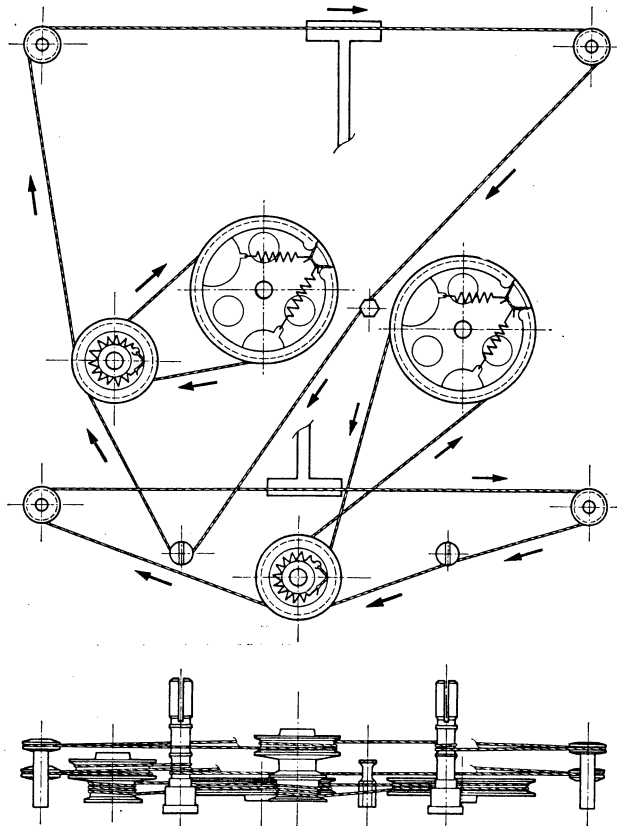


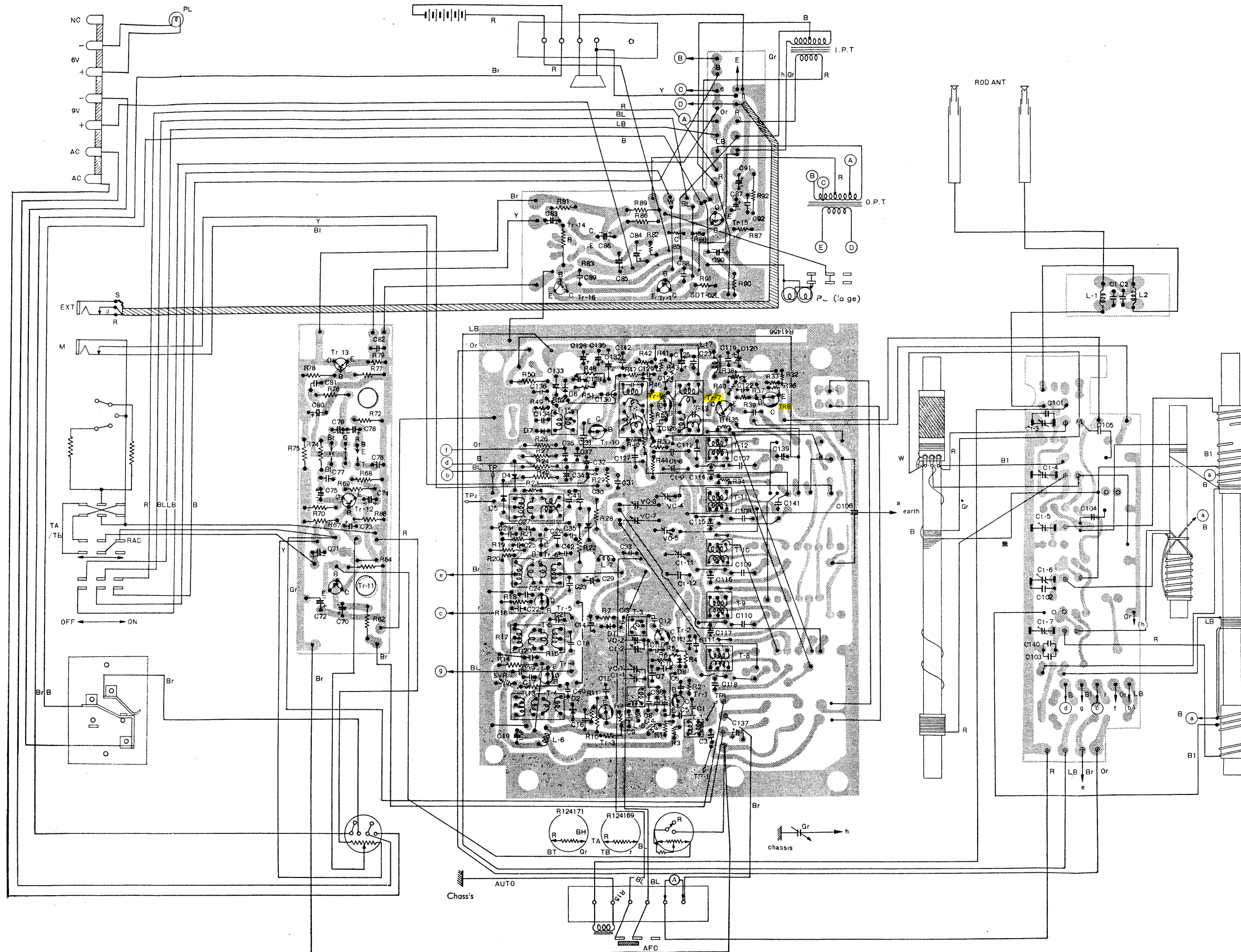
LOCATION OF MAIN PARTS



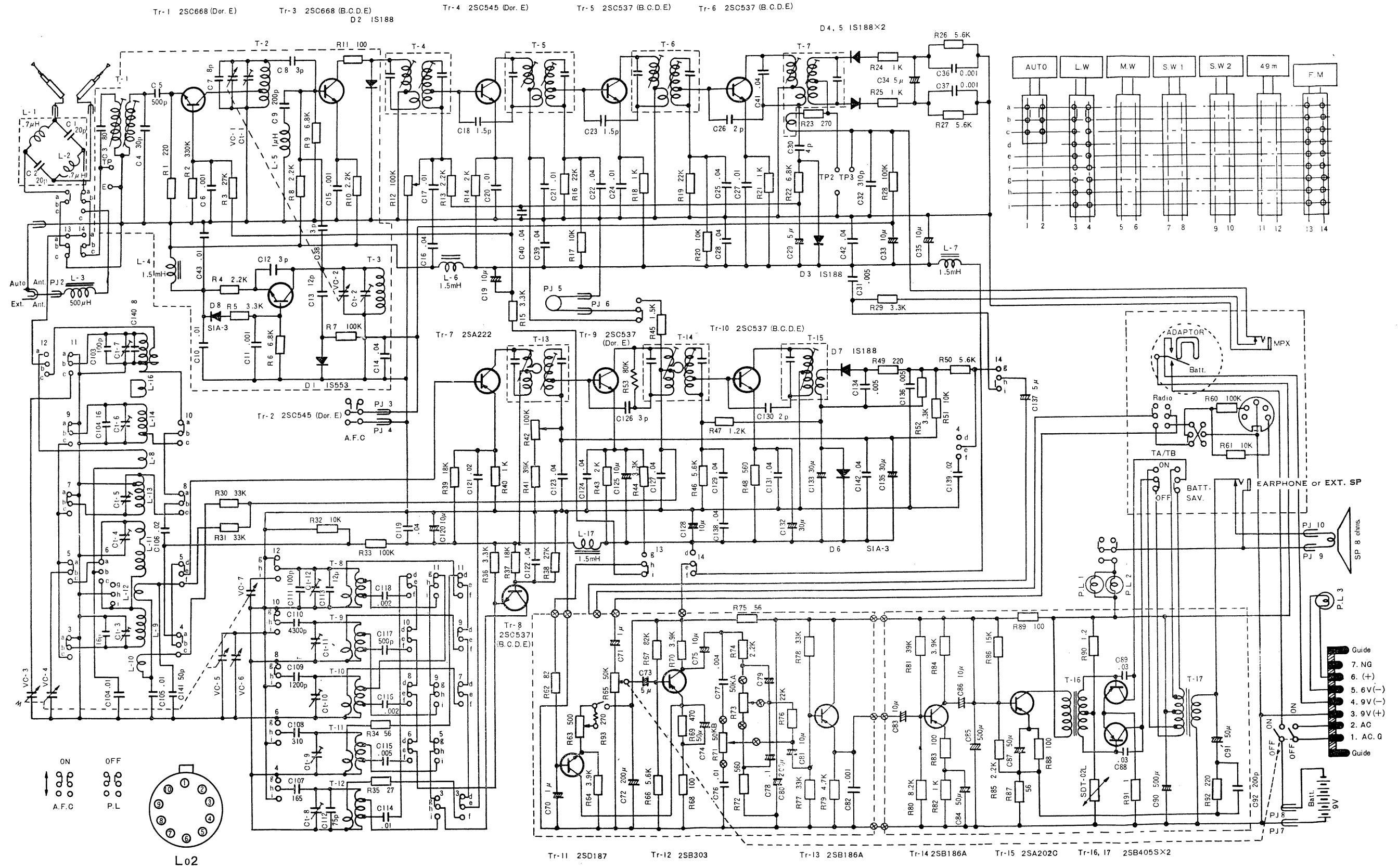
DIAL STRING



WIRING DIAGRAM



CIRCUIT DIAGRAM



PARTS LIST

Symbol No.	Description	Q'ty
TRANSISTORS & DIODES		
Tr-1	2SC668D	1
Tr-2	2SC2SC545	1
Tr-3	2SC668	1
Tr-4	2SC545	1
Tr-5	2SC537	1
Tr-6	2SC537	1
Tr-7	2SC537	1
Tr-8	2SA222	1
Tr-9	2SC537	1
Tr-10	2SC537	1
Tr-11	2SD187	1
Tr-12	2SB303	1
Tr-13	2SB186A	1
Tr-14	2SB186A	1
Tr-15	2SA202c	1
Tr-16	2SB405	1
Tr-17	2SB405	1
D-	1S188 (for Discriminator)	2
D-	1S188 (for FM circuit)	4
D-	1S553 (for AFC)	1
D-	SIA3	1

Stock No.	Description	Q'ty
COILS		
R-S81362	Antenna coil, complete (for MW, LW)	1
R-W2284	Antenna coil	1
R-35077b	Holder	1
R-S81363	Antenna coil, complete (for SW1, SW3)	1
R-W2285	Antenna coil	1
R-35077b	Holder	1
R-W2283	Antenna coil (for FM)	1
R-W4034	RF coil	1
R-W8218	Oscillator coil (for FM)	1
R-W8219	Oscillator coil (for LW)	1
R-W8220	Oscillator coil (for BC)	1
R-W8221	Oscillator coil (for SW-1)	1
R-W8222	Oscillator coil (for SW-2)	1
R-W8223	Oscillator coil (for SW-3)	1
R-W1058	Chock coil (4.5 ϕ)	1
R-W1059	Chock coil (6.0 ϕ)	1
R-W1060	Chock coil (500 μ H)	1
R-W9021	VHF coil (3.5t)	2
R-W2300	Antenna coil (for SW-2)	1

Symbol No.	Description	Q'ty
TRANSFORMERS		
R-W5022	IFT (for AM, yellow)	1
R-W5023	IFT (for AM, white)	1
R-W5241	IFT (for AM, black)	1
R-W5024	IFT (for FM, brown)	1
R-W5025	IFT (for FM, green)	1
R-W5026	IFT (for FM, blue)	1
R-W5027	IFT (for FM, red)	1
R-W6325	I.P.T (Input Transformer)	1
R-W6326	O.P.T (Output Transformer)	1

Symbol No.	Description	Q'ty
CONTROLS		
R-R124168	Variable resistor (50k)	1
R-R124169	Variable resistor (50k B)	1
R-R124170	Variable resistor (500 B)	1
R-11011	Variable resistor (100 k)	1
R-C1116	Variable capacitor (4F-20G)	1
R-C1098	Variable capacitor (2F-20GT)	1
R-C1128	Variable capacitor (for Fine tuning)	1
R-C0050	Trimmer (for AM ant.)	5
R-R124171	Variable resistor (50k A)	1
R-C0058	Trimmer (for AM oscillator)	4
R-C5700	Trimmer (for AM oscillator)	1

Symbol No.	Description	Q'ty
LOUDSPEAKER		
R-S6418	Loudspeaker (5" x 7", 8 ohms)	1

Symbol No.	Description	Q'ty
ELECTROLYTIC CAPACITORS		
R-C9127	500 μ F 15 v	2
R-C9146	200 μ F 10 v	2
R-C9525	50 μ F 10 v	4

Stock No.	Description	Q'ty
ELECTROLYTIC CAPACITORS		
R-C9145	10 μ F 10 v	1
R-C9131	5 μ F 6 v	4
R-C9115	1 μ F 10 v	2
R-C9137	30 μ F 6 v	3
R-C9126	0.1 μ F 10 v	2

Stock No.	Description	Q'ty
CABINET		
R-42409e	Cabinet (hardboard with leather.)	1
R-44067	Spacer	4
R-46433	Panel (right side of cabinet)	1
R-46434	Panel (left side of cabinet)	1
R-23865	Decoration metal (R-L side)	2
R-32575	Dial (polystyrol)	1
R-46435a	Panel (for cabinet front)	1
R-46432a	Panel (for cabinet front)	1
R-44250a	Sheet (Black rubber)	1
R-261206	Panel	1
R-261211a	Panel (Aluminium plate)	1
R-	Net (Black Himelom)	1
R-39384	Net (Black Himelom R-7060)	1
R-39263	Decoration (for Knob base)	1
R-32524b	Decoration (polystyrol)	1
R-32483	Cover (Terminal plates)	1
R-	Shaft (for Terminal cover)	1
R-31743	Fixture (for -ditto)	2
R-27046	Badge	1
R-23867	Decoration metal (for Dial)	3
R-261219a	Telltale plate	1
R-47965a	Specification sheet	1
R-32682	Decoration (ABS)	1
R-32683	Decoration (for Pilot switch)	1
R-	Moldplane	2
R-261574	Decoration metal (Aluminium plate)	1
R-31754	Fixture (polystyrol)	2
R-	Pad (Black rubber)	2
R-	Sheet (25 x 25 x 0.03t)	7
R-	Decoration metal (Decoration for front of cabinet)	2
R-44302	Pad (Black rubber)	2
R-S7076	Hexagonal bolt (Fix. for Dial plate)	2
R-12059	Speed washer (for Badge fixing)	2
R-261765	Decoration metal (Fix. for panel)	1
R-32684a	Knob (for AFC switch)	1
R-S81101	Handle, Complete	1
R-	R-112476 Handle	1
R-	R-28108 Fixing metal	1
R-	Sheet	1
R-28109	Fixing metal (for Handle)	2
R-35296	Washer (Ethylene)	2
R-112672	Special washer	2
R-25263	Spring (Fixing for R-28109)	2
R-35081	Washer	1
R-	Cushion (Black rubber)	2
R-S80199	Knob, complete (for TUNING)	2
R-39262	Knob	1
R-261212	Knob decoration	1
R-S81100a	Knob, complete	5
R-39261a	Knob	1
R-261047	Knob decoration	1
R-424312	Case (Black pressboard)	1
R-S8113	Pointer, complete	1
R-	R-23777 Slide	1
R-	R-23805 Pointer	1
R-S81189	Pointer complete	1
R-	R-23777 Siide	1
R-	R-23775 Pointer	1
R-	Washer	5
R-	Cover	5
R-	Cushion (Rubber 5.3 ϕ x 1t)	2
R-S6365	Earphone, complete	1
R-S5530	Meter (Indicator, 400 μ A)	1
R-S1202	Pilot lamp (6V 30 mA)	1
R-S1287	Pilot lamp (9V 30 mA)	2

Stock No.	Description	Q'ty
CHASSIS		
R-S81366a	Chassis, complete	1
R-112483a	Chassis	1
R-112481b	Chassis	1
R-113022	Fixing metal	1
R-41456b	Printed circuit board (Main chassis)	1
R-41491b	Printed circuit board (Band switch)	1
R-41561b	Printed circuit board (AF chassis)	1
R-41562a	Printed circuit board (Sub chassis)	1
R-261547b	back plate	1
R-41560	Printed circuit board	1
R-113201	Chassis (for radiator)	1
R-S81102	Dial shaft, complete	2
R-241011	Shaft	1
R-241012	Pedestal	1
R-	Rivet	1

PARTS LIST

Stock No.	Description	Q'ty
CHASSIS		
R-241016	Pulley shaft (For FM)	2
R-32685	Double pulley	1
R-241158	Pulley Shaft	1
R-44291	Holder (for Pilot)	2
R-112477	Fixing metal (for Pilot switch)	1
R-31853	Holder (Fixing for terminal)	1
R-112700	Fixing metal (band switch)	2
R-241157	Guide shaft	1
R-S81197	Knob, complete	1
R-32576	Knob	1
R-261337	Telltale plate	1
R-S81202	Knob, complete	1
R-32576	Knob	1
R-261342	Telltale plate	1
R-S81198	Knob, complete	1
R-32576	Knob	1
R-261338	Telltale plate	1
R-S81199	Knob, complete	1
R-32576	Knob	1
R-261339	Telltale plate	1
R-S81200	Knob, complete	1
R-32576	Knob	1
R-261340	Telltale plate	1
R-S81203	Knob, complete	1
R-32576	Knob	1
R-261341	Telltale plate	1
R-S81364	Knob, complete	1
R-32686	Knob	1
R-261545	Telltale plate	1
R-112945	Fixture (Metal)	1
R-35297	Base	2
R-261608	Holder (for Antenna core)	1
R-44065	Cushion (for Variable condenser)	2
R-39188	Drum	2
R-1513a	Coil spring	4
R-15096a	Coil spring	2
R-27065	Pulley	4
R-241263	Pulley shaft	2
R-39310	Double pulley	1
R-241158	Pulley shaft	1
R-S7069	Special nut	2
RR-24123	Cap nut	4
R-44045	Cushion	1
R-44240	Cushion	1
R-	Dial string (600mm)	1
R-	Dial string (850mm)	1
R-	Dial string (700mm)	1
R-	Dial string (750mm)	1
R-	Washer 4.3 ϕ x 10 ϕ x 1t	2

Symbol No.	Description	Q'ty
RESISTOR		
R1	Carbon 220 ohm $\pm 5\%$ $\frac{1}{4}$ W	1
R2	" 330 K " " " "	1
R3	" 27 K " " " "	1
R4, 8, 85	" 2.2 K " " " "	3
R5	" 3.3 K " " " "	1
R6	" 6.8 K " " " "	1
R7, 28, 33, 60	" 100 K " $\pm 10\%$ " "	4
R-19	" 6.8 K " $\pm 5\%$ " "	1
R10	" 3.3 K " " " "	1
R11, 68, 88	" 100 " $\pm 10\%$ " "	3
R13, 74	" 2.2 K " " " "	2
R14, 43	" 2 K " $\pm 5\%$ " "	5
R15, 29, 36, 44, 52	" 3.3 K " $\pm 10\%$ " "	2
R16, 19, 76	" 22 K " " " "	3
R17, 20, 32, 51	" 10 K " " " "	4
R18, 21, 40	" 1 K " $\pm 5\%$ " "	3
R22	" 6.8 K " $\pm 10\%$ " "	1
R23, 93	" 270 " " " "	2
R24, 25	" 1 K " " " "	2
R26, 27	" 5.6 K " $\pm 5\%$ " "	2
R30, 31	" 33 K " $\pm 10\%$ " "	2
R34, 75, 87	" 56 " " " "	3
R35	" 27 " " " "	1
R37, 39	" 18 K " " " "	2
R38	" 27 K " " " "	1
R41	" 39 K " " " "	1
R45	" 1.5 K " $\pm 5\%$ " "	1
R46, 50, 66	" 5.6 K " $\pm 10\%$ " "	3
R47, 90	" 1.2 K " " " "	2
R48, 72	" 560 " " " "	2
R49, 92	" 220 " " " "	2
R53	" 80 K " $\pm 5\%$ " "	1
R61	" 10 K " $\pm 10\%$ " "	1
R62	" 82 " " " "	1
R64	" 3.9 K " $\pm 5\%$ " "	1
R67	" 82 K " $\pm 10\%$ " "	1
R69	" 470 " " " "	1

Symbol No.	Description	Q'ty
RESISTOR		
R70	" 3.9 K " " " "	1
R79	" 4.7 K " " " "	1
R80	" 220 K " $\pm 5\%$ " "	1
R86	" 15 K " $\pm 10\%$ " "	1
R89	" 100 " $\pm 5\%$ " "	1
R91	" 1 " " " "	1

Symbol No.	Description	Q'ty
CAPACITOR		
C1, 2	Ceramic 13pF $\pm 10\%$ 25WV	2
C3	" 80pF " 50WV	1
C4	" 15pF " 25WV	1
C5	" 500pF $\pm 20\%$ 25WV	1
C6, 11, 15	" 0.001 μ F $\pm 80, -20\%$ 25WV	3
C7	" 12pF $\pm 10\%$ 25WV	1
C8, 30	" 4pF $\pm 0.5pF$ 25WV	2
C9, 92	" 20.0pF $\pm 10\%$ 25WV	2
C10, 17, 20, 21, 24	" 0.01 μ F $\pm 80, -20\%$ 50WV	7
C27, 43	" " " " "	1
C12, 38, 126	" 3pF $\pm 0.25pF$ 25WV	3
C13	" 5pF $\pm 0.5pF$ 25WV	1
C14, 16, 22, 25, 28, 39, 40, 42, 119, 122, 123, 124, 127, 129, 131, 138, 142	" 0.04 μ F $\pm 80, -20\%$ 50WV	1
C18, 23	" 1.5pF $\pm 0.25pF$ 25WV	2
C26, 130	" 2pF " 25WV	2
C31, 115, 134, 136	Mylar 0.005 μ F $\pm 20\%$ 50WV	4
C32, 108	Styrol 310pF $\pm 10\%$ 125WV	2
C36, 37	Mylar 0.001 μ F $\pm 20\%$ 50WV	2
C41	Ceramic 30pF $\pm 10\%$ 25 or 50WV	1
C76, 104, 105, 114	Mylar 0.01 μ F $\pm 20\%$ 50WV	4
C77	" 0.004 μ F " 50WV	1
C88, 89	" 0.03 μ F " 50WV	2
C101, 102	Ceramic 16pF $\pm 10\%$ 25WV	2
C103, 111	" 100pF " 50WV	2
C106, 121, 139	Mylar 0.02 μ F $\pm 20\%$ 50WV	3
C107	Styrol 165pF $\pm 10\%$ 125WV	1
C109	" 1200pF " 35WV	1
C110	" 4300pF " 35WV	1
C112	Ceramic 75pF $\pm 5\%$ 50WV	1
C113	" 20pF $\pm 10\%$ 25 or 50WV	1
C116, 118	Mylar 0.002 μ F $\pm 20\%$ 50WV	2
C117	Ceramic 500pF $\pm 10\%$ 50	