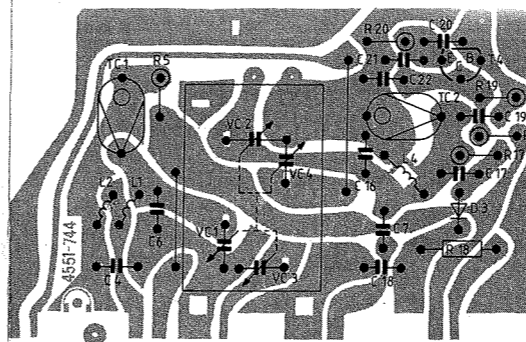
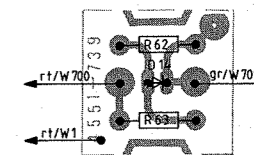


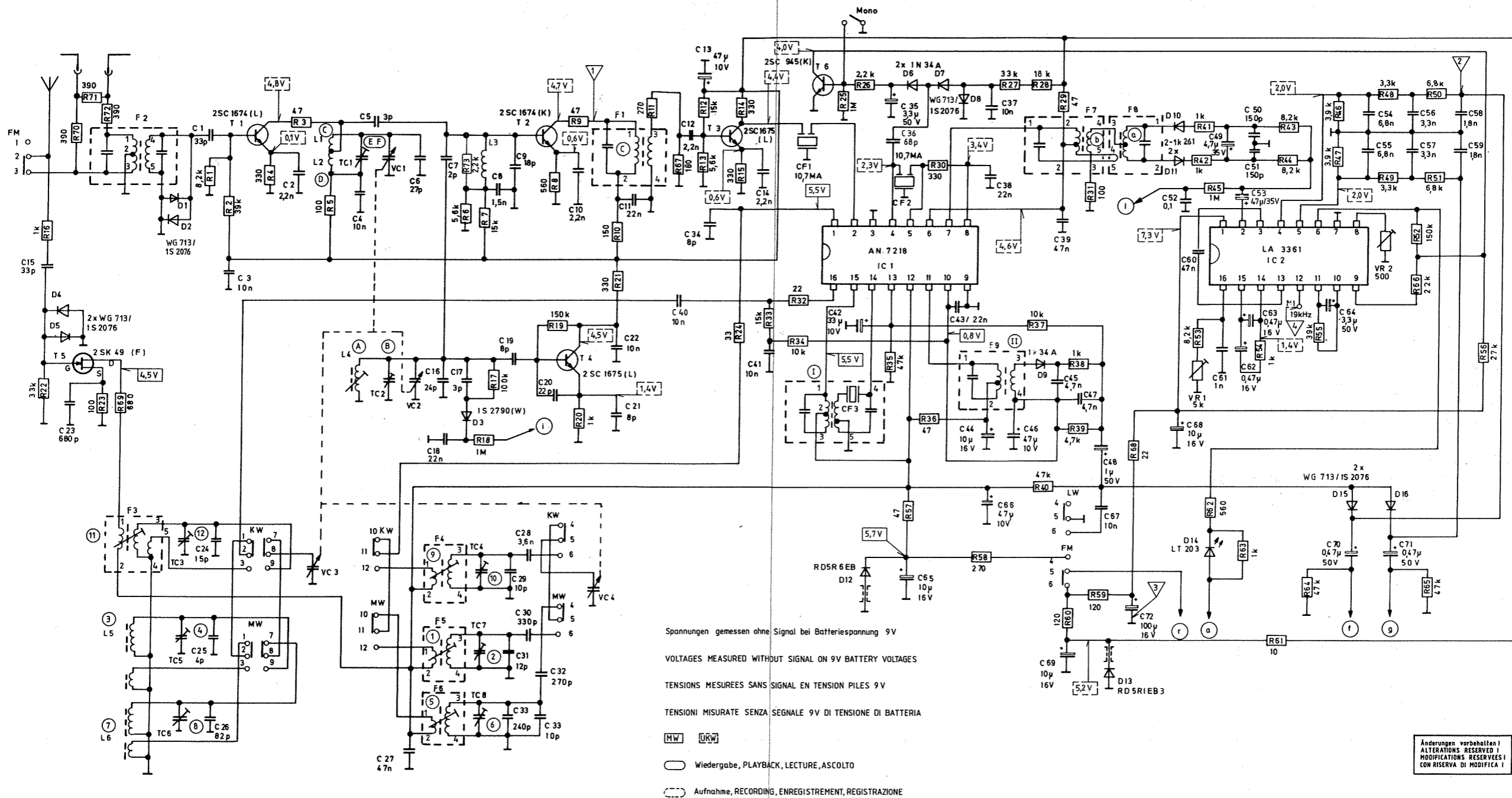
Drehko-Platte
Rotary capacitor board
C. I. capacitèur variable
Piastra condensatore variabile



LED-Platte
LED board
C. I. LED
Piastra LED



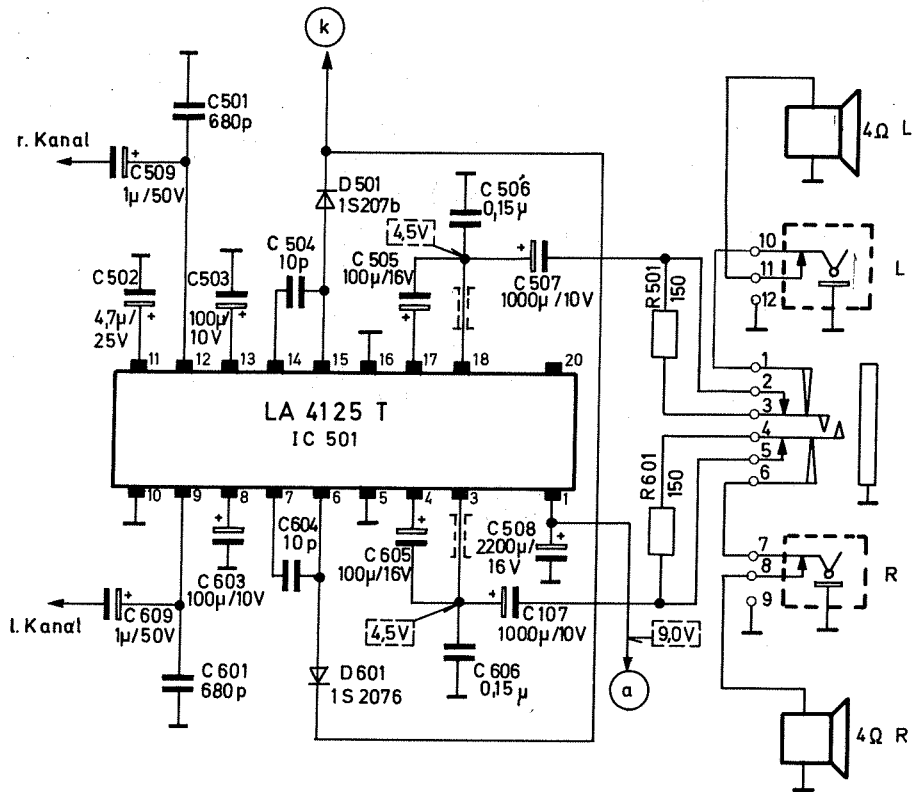
HF-ZF-Verstärker
HF-IF amp.
Ampli. HF-FI
Amplific. AF-FI



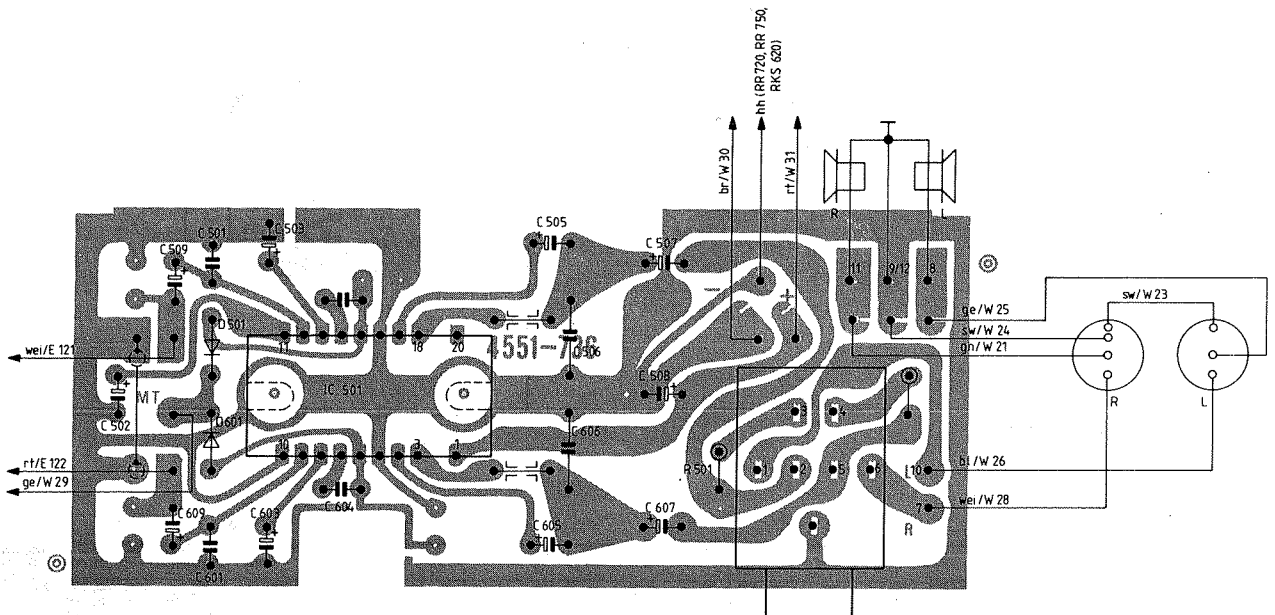
C: 15, 23	24, 25, 1, 26, 3,	2,	4,	27, 6, 16, 17, 7, 18, 19,	8, 28, 9, 20, 29, 30, 10, 21, 31, 11,	22, 33, 40,	34, 12, 13	14, 41	35, 42, 36	65, 43,	37, 38, 44, 46, 66, 39, 69, 67, 47, 48, 45,	72,	52, 68, 49, 61, 50, 51, 62, 53,	54, 55, 70,	71, 64, 56, 57,	58, 59					
R: 16, 22, 70, 71, 72,	22, 23, 69	1, 2,	4, 3,	5,	73, 6, 7, 17, 18,	8, 9, 19, 10, 20, 21	11	67, 12, 13, 24,	14, 15, 33, 32,	34	25, 26,	35, 30, 57, 36,	58, 27,	28, 37, 40, 29, 60, 39, 31, 59, 38,	68, 41, 42,	45, 53, 62, 63,	54,	43, 61, 44, 64,	46, 47, 55, 48,	49, 52, 50, 66, 51,	65, 56,

RR 621, RR 640 RR 720, RR 750

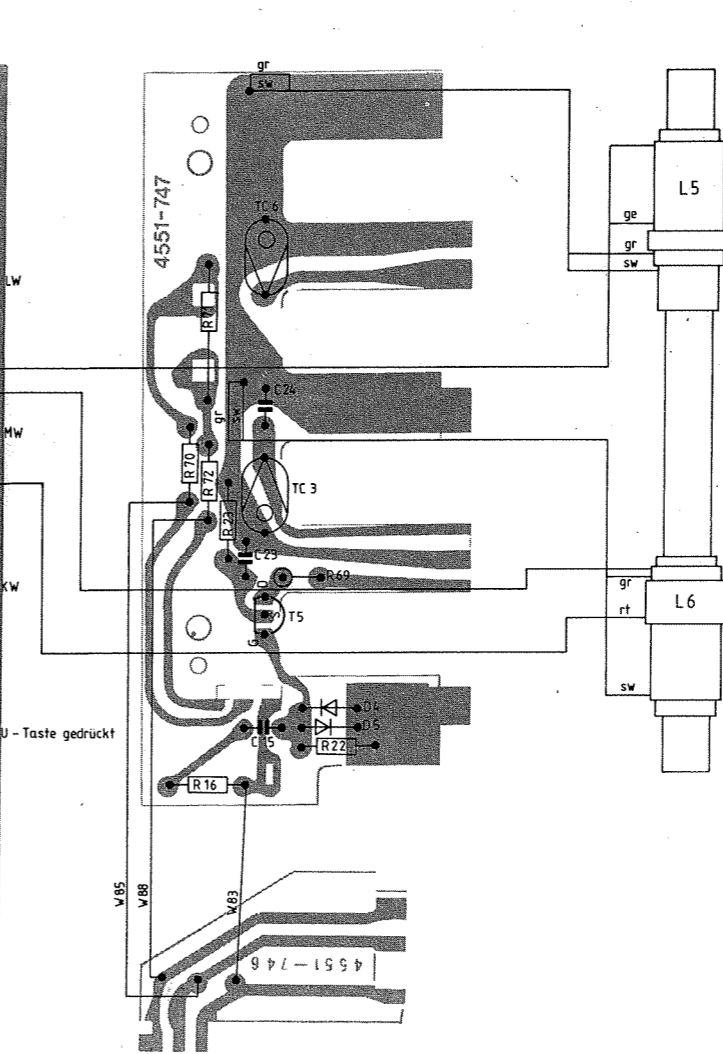
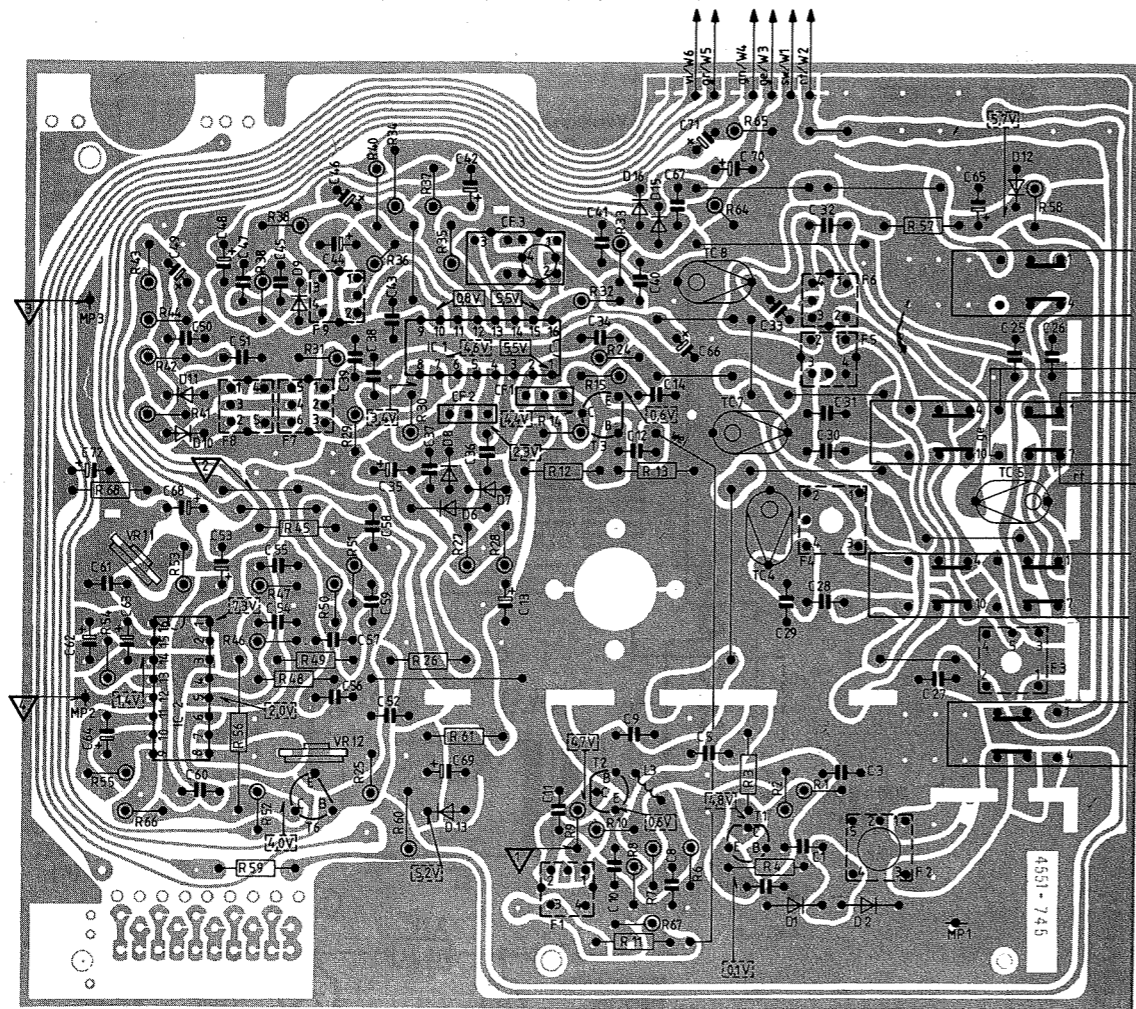
Endstufe
Output stage
Etage de sortie
Stadio finale



C:	609, 502, 509, 501, 503, 504, 505, 506, 107, 507, 508
	601, 603, 604, 605, 606.
R:	501, 601,

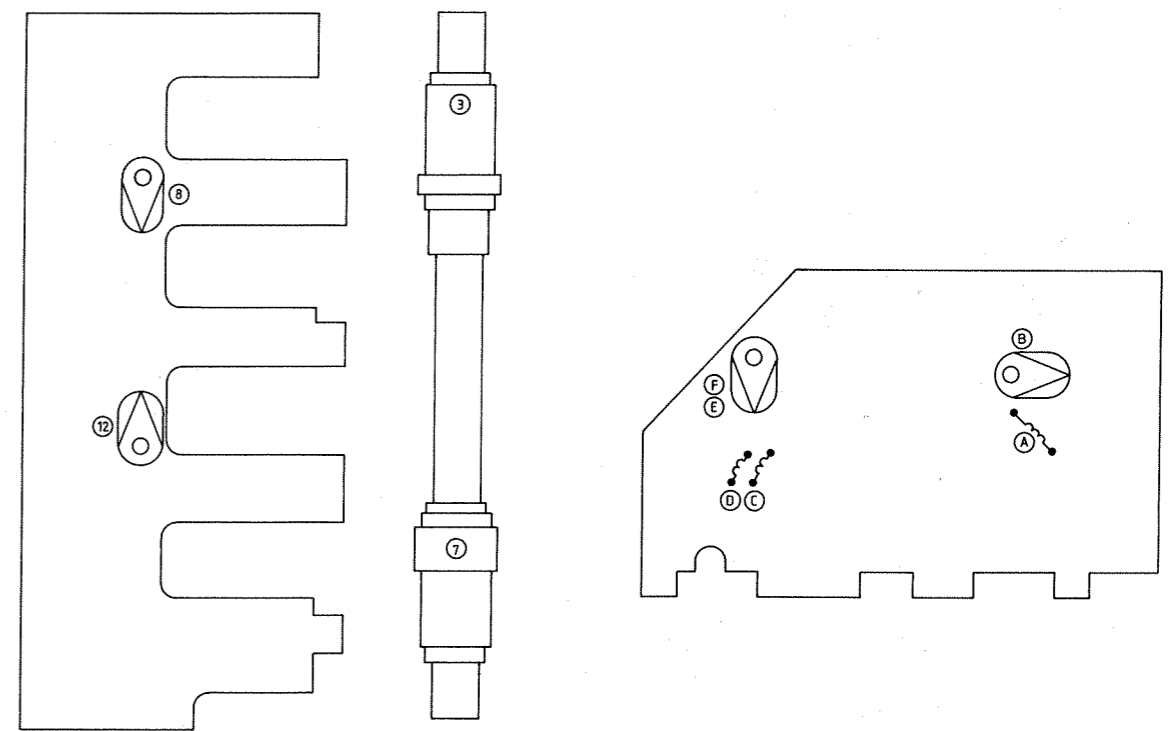
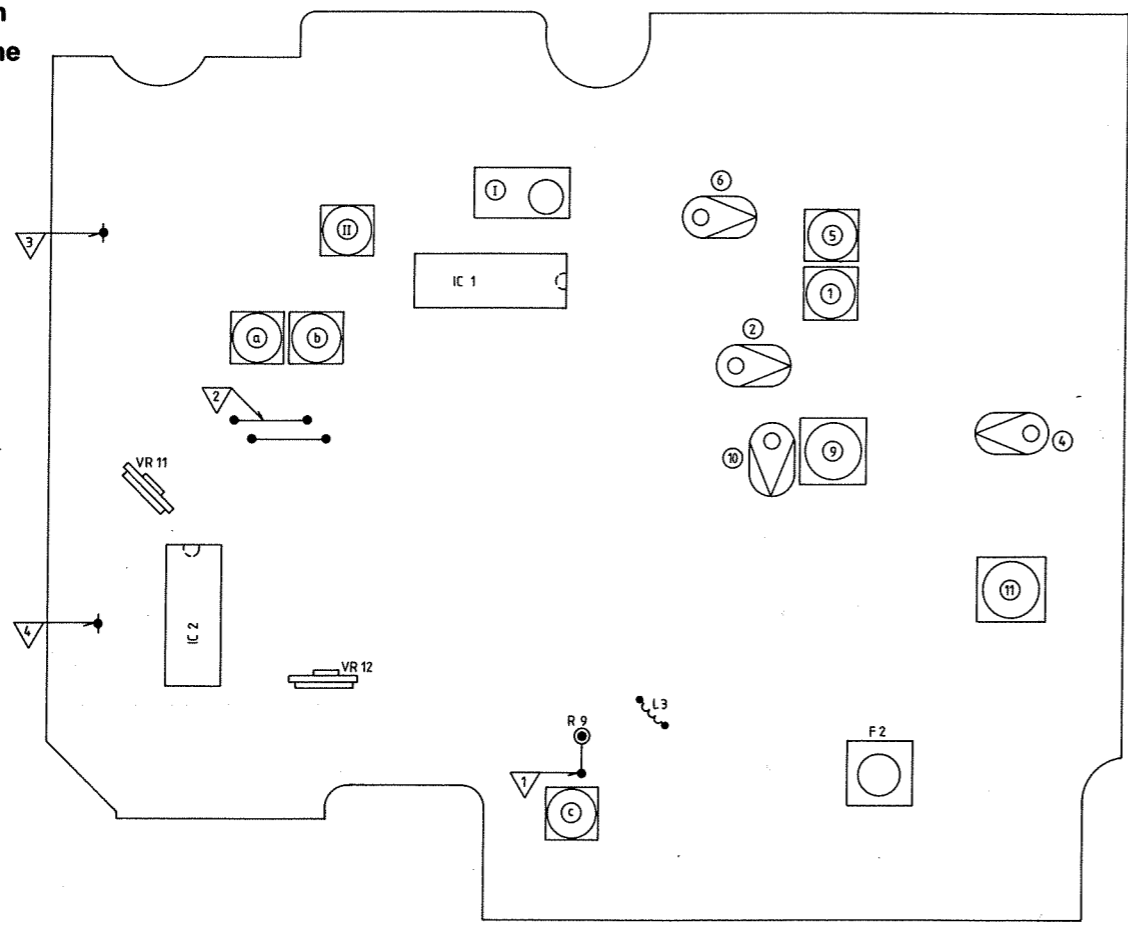


HF-ZF-Platte
 HF-IF board
 C. I. HF-FI
 Piastra AF-FI



Antennenplatte
 Aerial board
 C. I. antenne
 Piastra antenna

Rundfunk-Abgleichplan
 Radio alignment scheme
 Plan de réglage radio
 Piano taratura radio



RR 621, RR 640

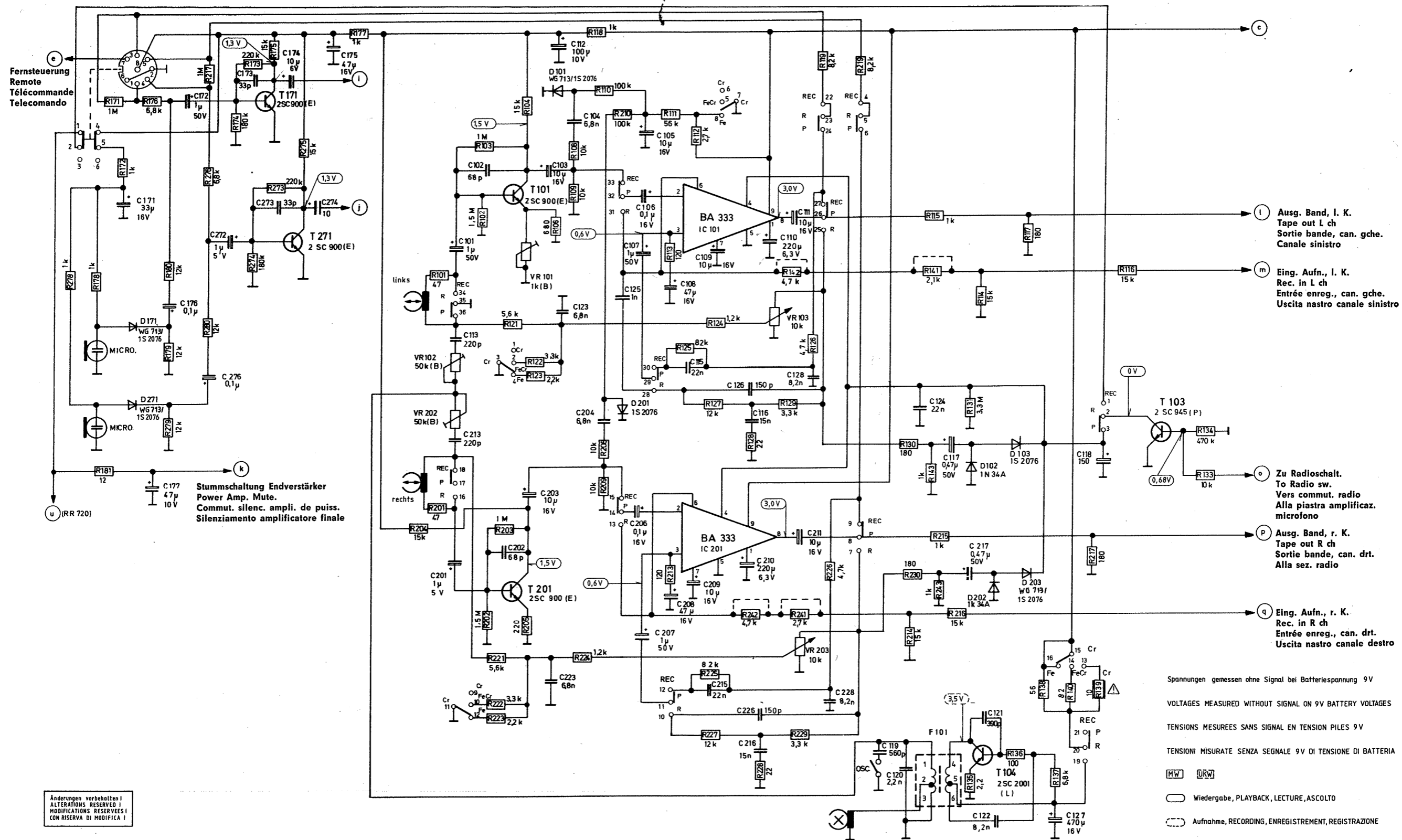
RR 720

Tonbandteil

Tape recorder unit

Partie magnétophone

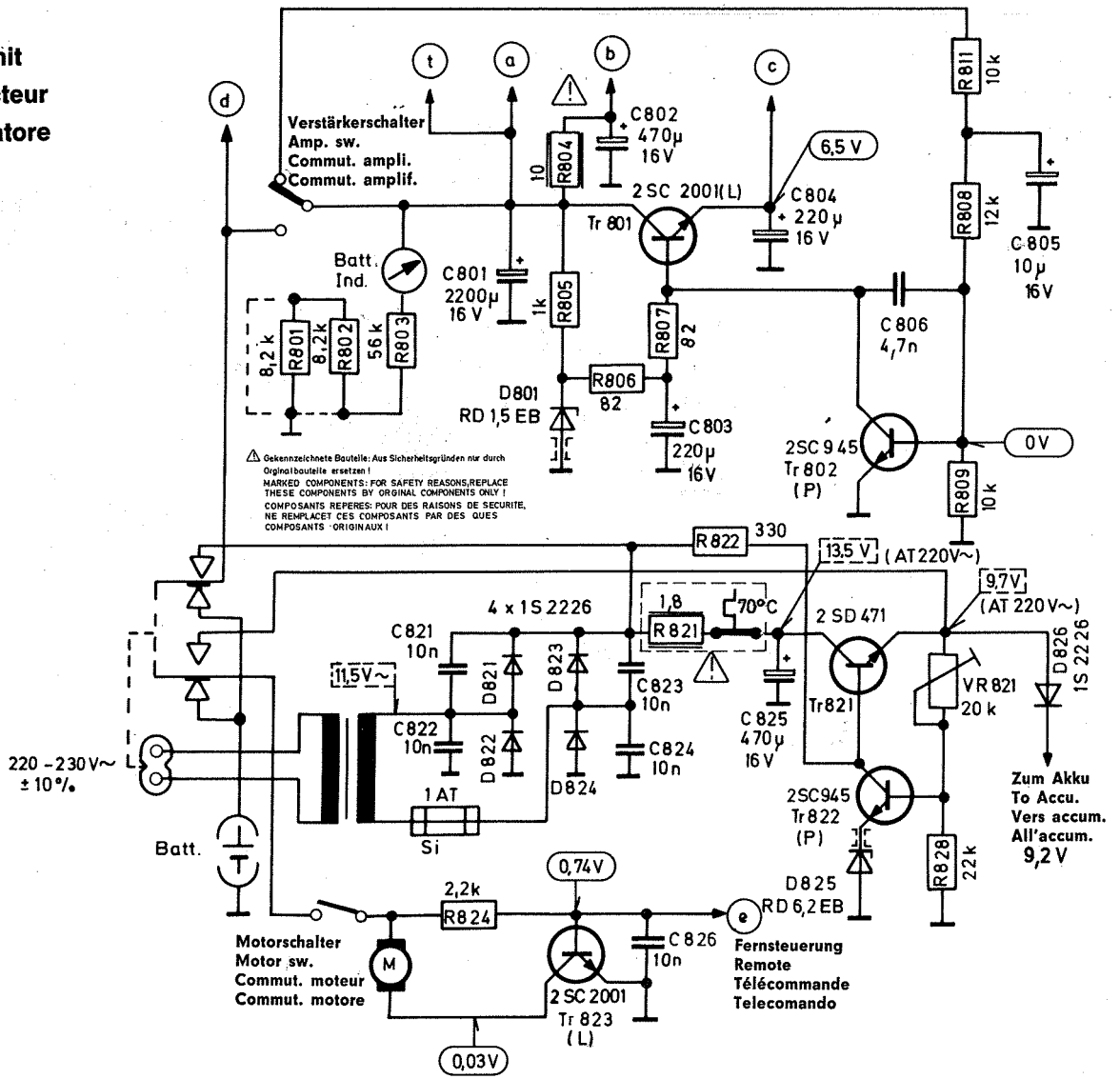
Sezione registratore



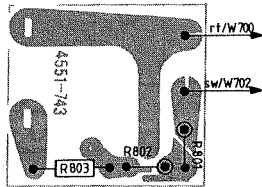
Anderungen vorbehalten!
 ALTERATIONS RESERVED!
 MODIFICAZIONI RISERVATE!
 CON RISERVA DI MODIFICA!

C:	171, 177, 176, 172, 276, 272, 173, 273, 174, 274, 175	101, 113, 102, 213, 202, 203, 103, 223,	112, 123, 204, 225, 108, 207, 208,	125, 105, 206, 108, 209, 109, 215, 210, 226, 216, 110, 111, 211, 228, 128, 119, 120, 124, 117, 217, 121, 122, 127, 118
R:	378, 178, 171, 172, 176, 180, 277, 276, 278, 280, 114, 173, 175, 275, 177, 204, 201, 103, 102, 121, 202, 222, 203, 104, 123, 106, 109, 224, 208, 223, 221, 205,	101, 108, 118, 110, 210, 111, 113, 125, 112, 124, 213, 128, 227, 225, 221,	116, 228, 142, 241, 119, 226, 219, 130, 115, 230, 215, 216, 131, 114, 214, 141, 143, 243, 135,	136, 117, 138, 137, 140, 217, 116, 134, 133

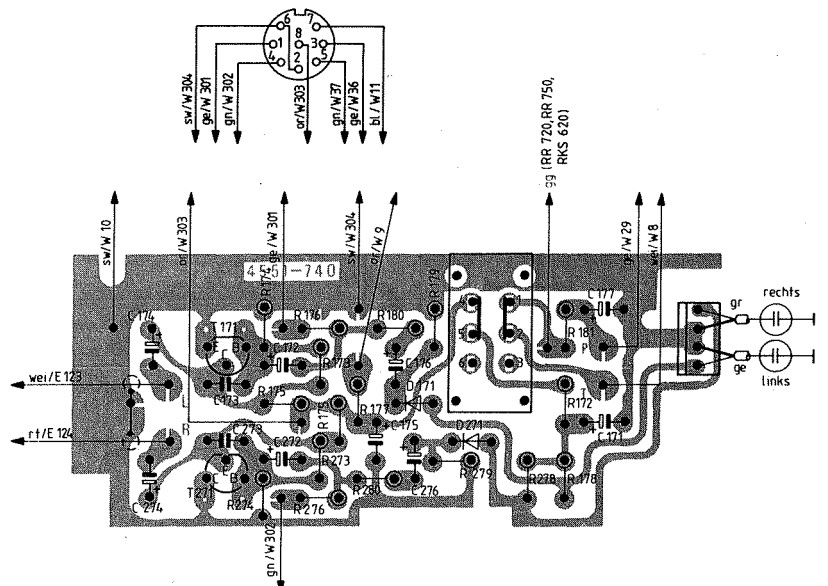
Netzteil
Mains unit
Bloc secteur
Alimentatore



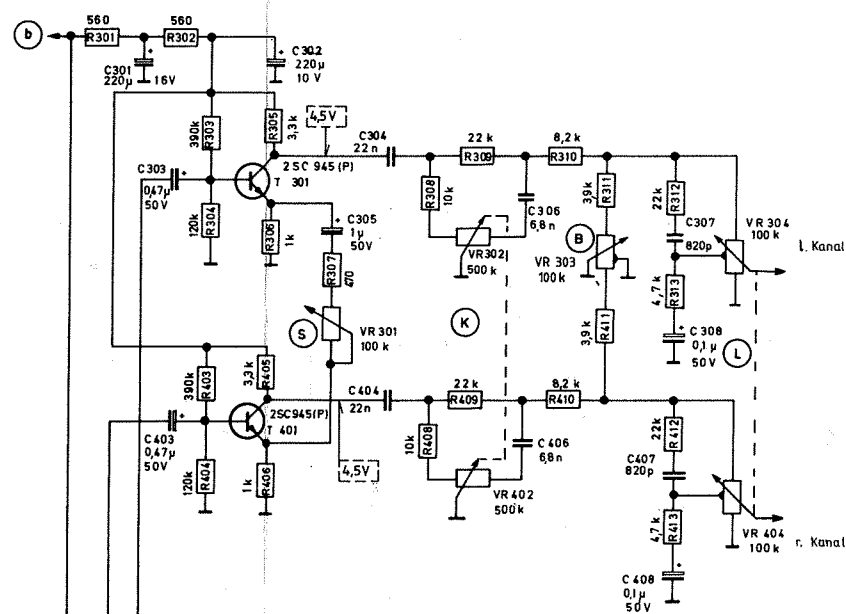
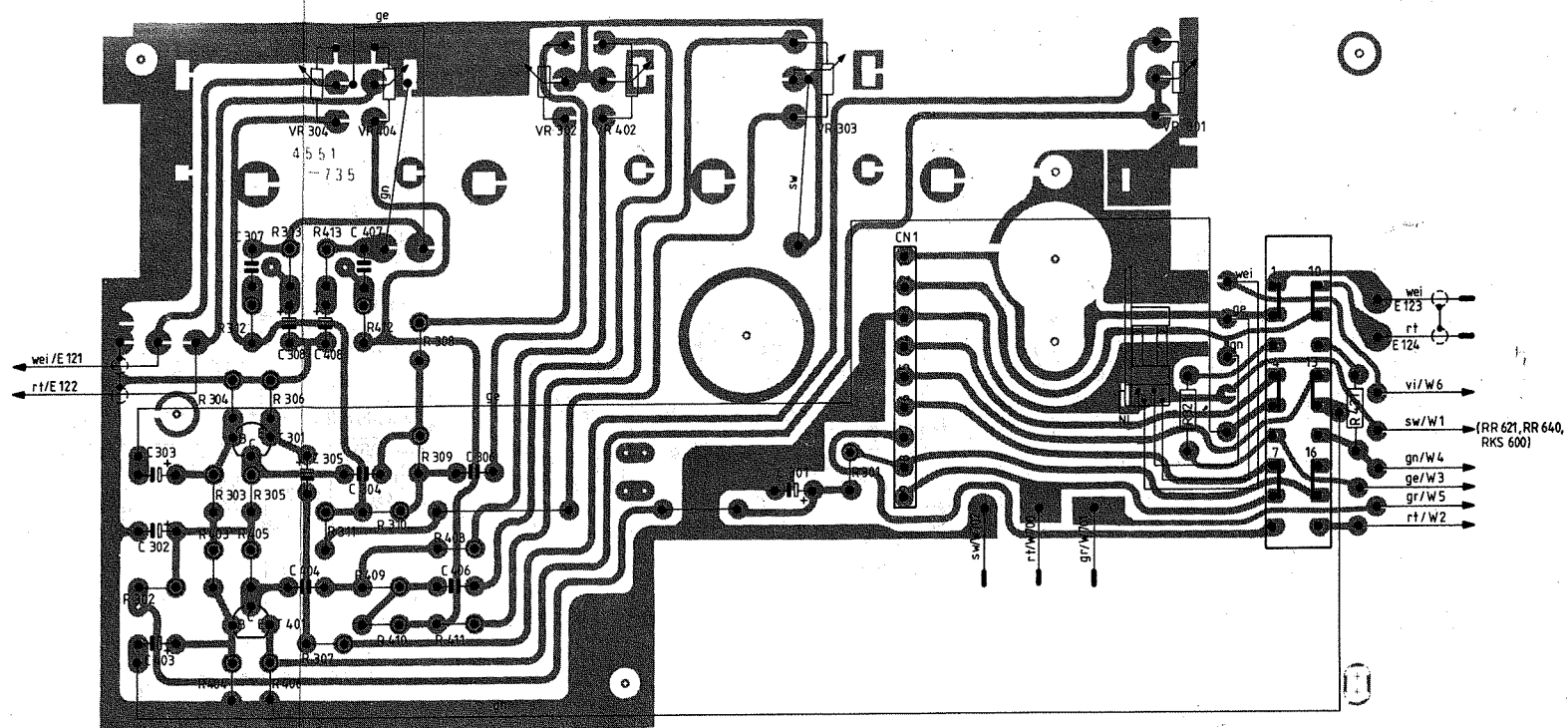
Instrumentenplatte
Meters board
Plaque instruments
Piastra strumenti



Micro-Platte
Mike board
Plaque micro
Piastra microfono



NF-Vorverstärker
AF preamplifier
Préampli BF
Preamplificatore BF



Spannungen gemessen ohne Signal bei Batteriespannung 9V

VOLTAGES MEASURED WITHOUT SIGNAL ON 9V BATTERY VOLTAGES

TENSIONS MESUREES SANS SIGNAL EN TENSION PILES 9V

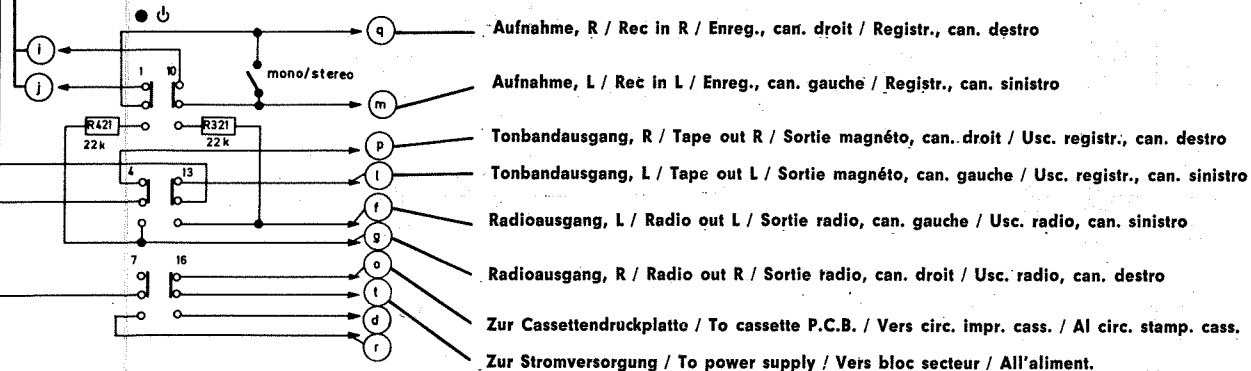
TENSIONI MISURATE SENZA SEGNALE 9V DI TENSIONE DI BATTERIA

MW **UKW**

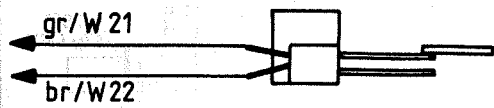
Wiedergabe, PLAYBACK, LECTURE, ASCOLTO

Aufnahme, RECORDING, ENREGISTREMENT, REGISTRAZIONE

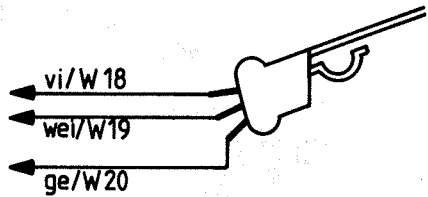
Mikrofonverstärkerausgang
Mic. ampout
Sorti ampli. micro.
Usc. amplif. micr.



Motorschalter
Motor sw.
Commut. moteur
Commut. motore

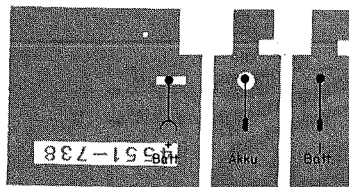
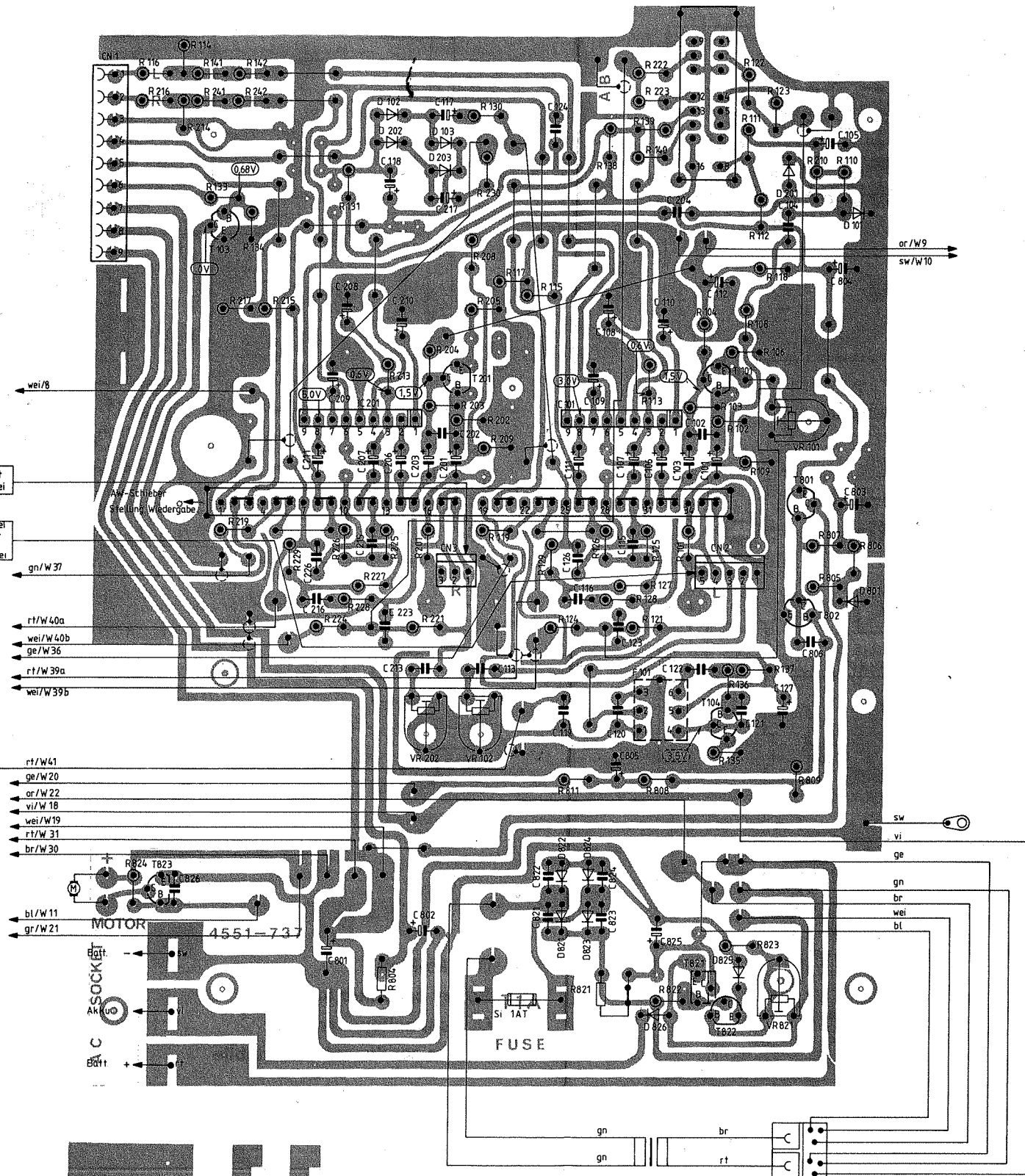
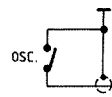
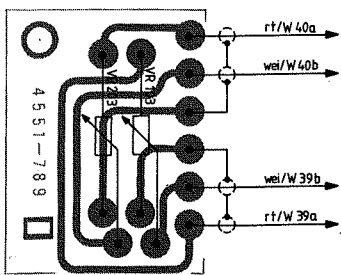


Verstärkerschalter
Amp. sw.
Commat. ampli.
Commat. amplif.



Tonbandplatte
Tape board
C. I. magnéphone
Piastra registratore

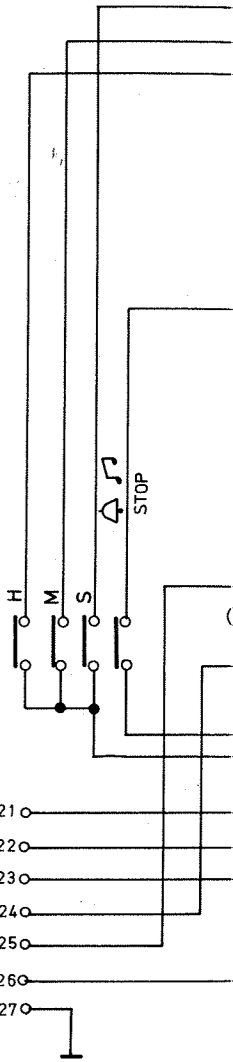
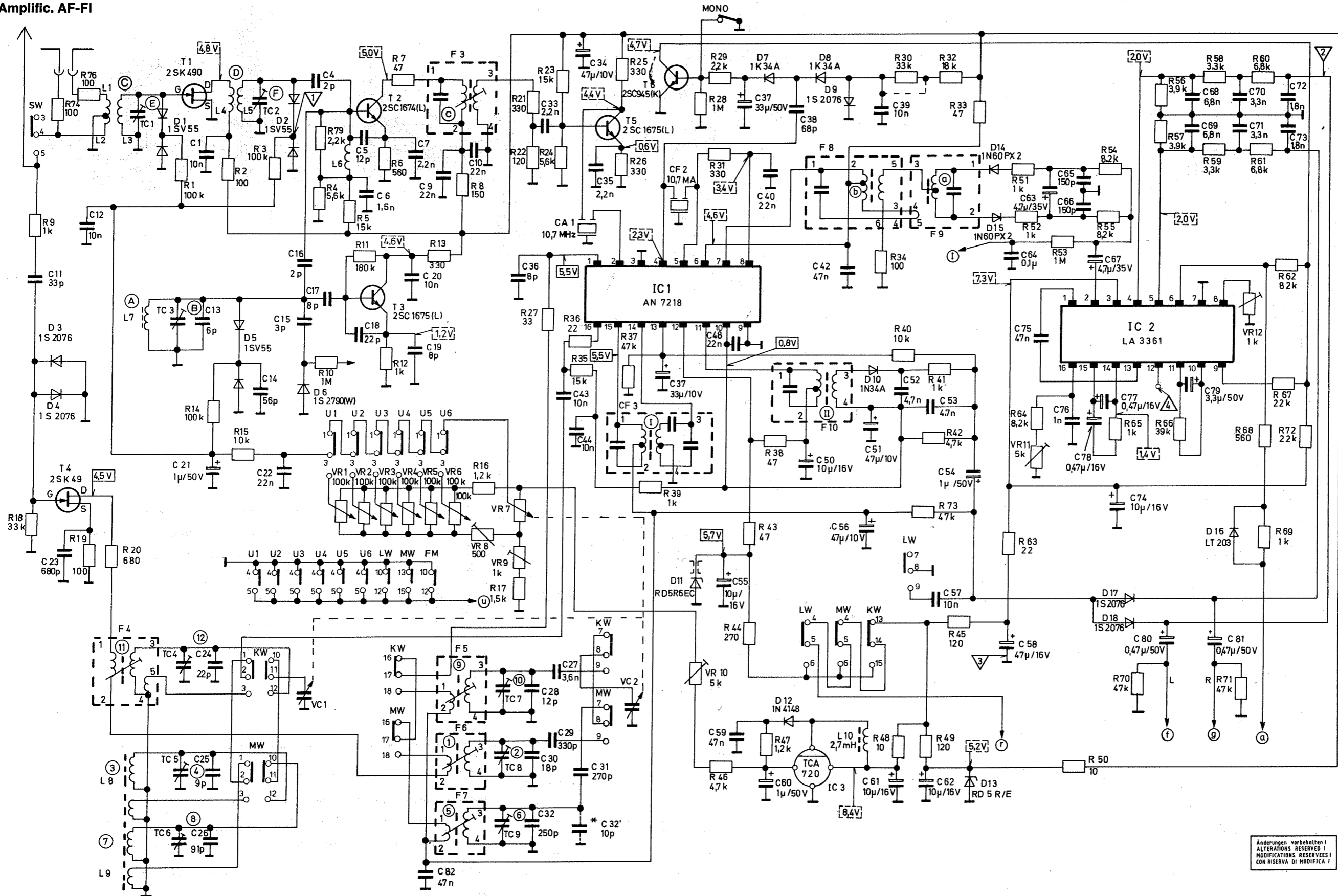
VAT-Platte
VAT board
C. I. VAT
Piastra VAT



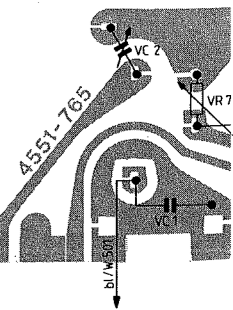
RR 720, RR 750

HF-ZF-Verstärker
 HF-IF amp.
 Ampli. HF-FI
 Amplific. AF-FI

Uhr (nur RR 750)
 Clock (RR 750 only)
 Horloge (seulement RR 750)
 Orologio (solo RR 750)



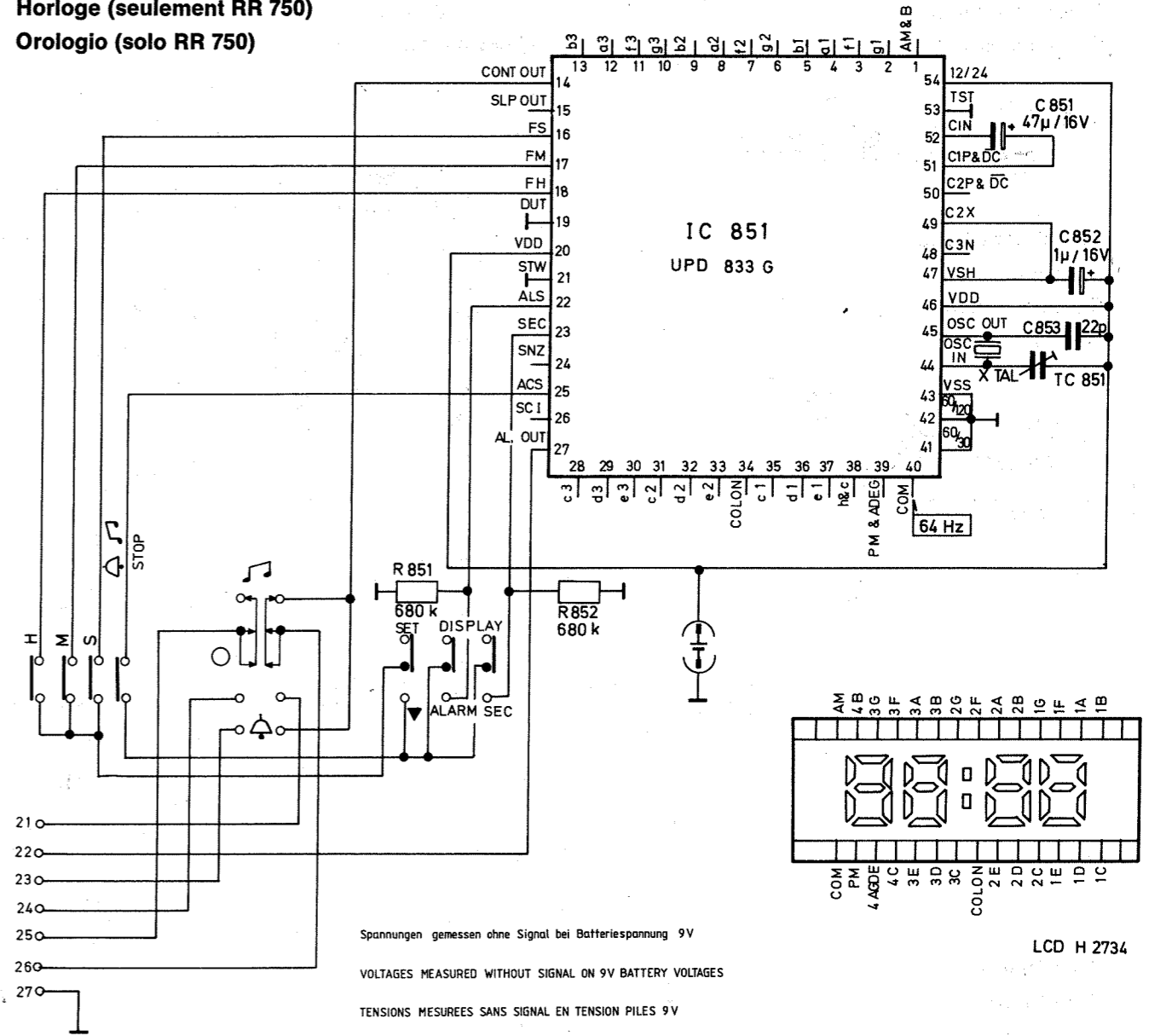
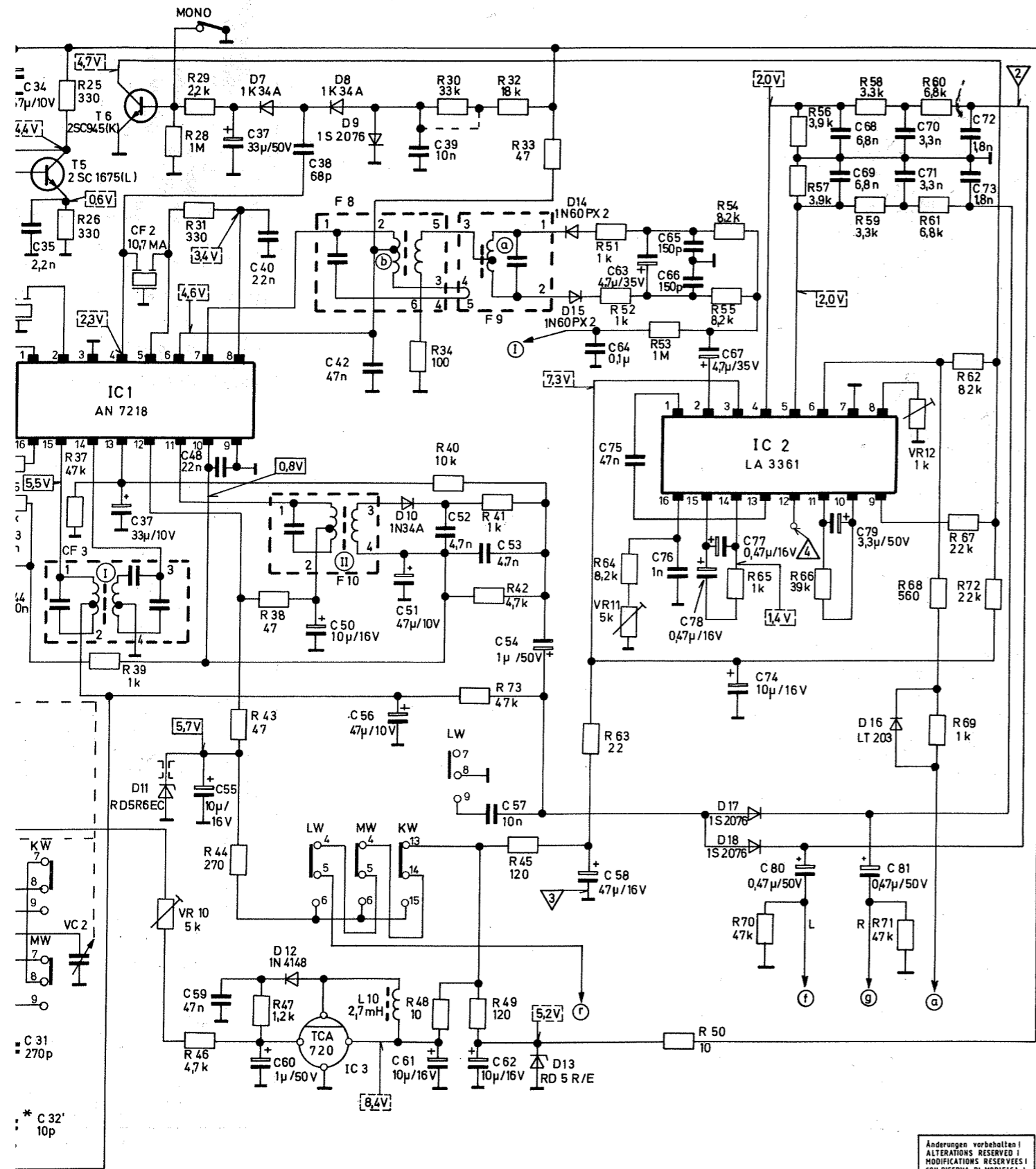
Drehko-Platte
 Rotary capacitor bc
 C. I. capaciteur vari
 Piastra condensato



C:	11,	12,	1, 13, 21, 24, 25, 26, 4,	22,	15, 16, 4, 17,	5, 18, 6,	7, 20, 19,	9, 10,	33, 36, 28, 30, 32, 27,	43, 31, 34, 44, 35,	37,	48, 55, 59, 37, 40, 60, 38, 50,	56, 39, 51, 52, 61, 62, 57, 53,	54,	58, 75, 63, 65, 66, 76, 67, 68, 77, 74,	80,	68, 69,	79,	81,	70, 71, 72, 73,			
R:	18, 9, 74,	76, 19,	20,	1,	2, 14, 15,	3,	79, 4, 10, 5,	11, 6, 7, 12,	13,	8,	16,	17, 21, 22, 23, 24, 27,	36, 35, 25, 26, 37,	39,	28, 29, 31, 46, 43, 44,	3, 8, 47,	34, 30,	40, 48, 41, 42, 73, 49, 3, 2, 33,	63, 51, 52, 64, 53,	50,	54, 55, 65, 70, 56, 57, 66,	58, 59,	60, 61, 71, 68, 69, 62, 67, 72,

Änderungen vorbehalten!
 ALTERATIONS RESERVED!
 MODIFICATIONS RESERVEES!
 CON RISERVA DI MODIFICA!

Uhr (nur RR 750)
 Clock (RR 750 only)
 Horloge (seulement RR 750)
 Orologio (solo RR 750)

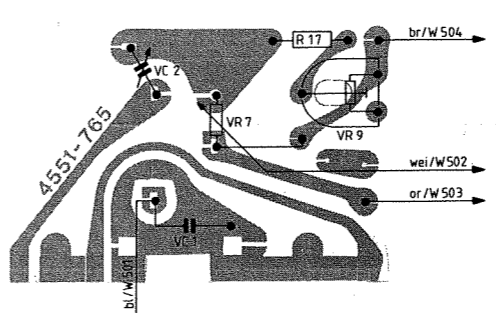


Spannungen gemessen ohne Signal bei Batteriespannung 9V
 VOLTAGES MEASURED WITHOUT SIGNAL ON 9V BATTERY VOLTAGES
 TENSIONS MESUREES SANS SIGNAL EN TENSION PILES 9V
 TENSIONI MISURATE SENZA SEGNALE 9V DI TENSIONE DI BATTERIA

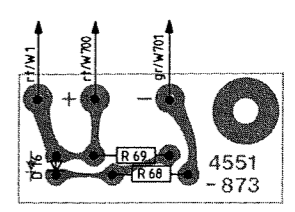
[MW] [UKW]

○ Wiedergabe, PLAYBACK, LECTURE, ASCOLTO
 ○ Aufnahme, RECORDING, ENREGISTREMENT, REGISTRAZIONE

Drehko-Platte
 Rotary capacitor board
 C. I. capacitèur variable
 Piastra condensatore variabile

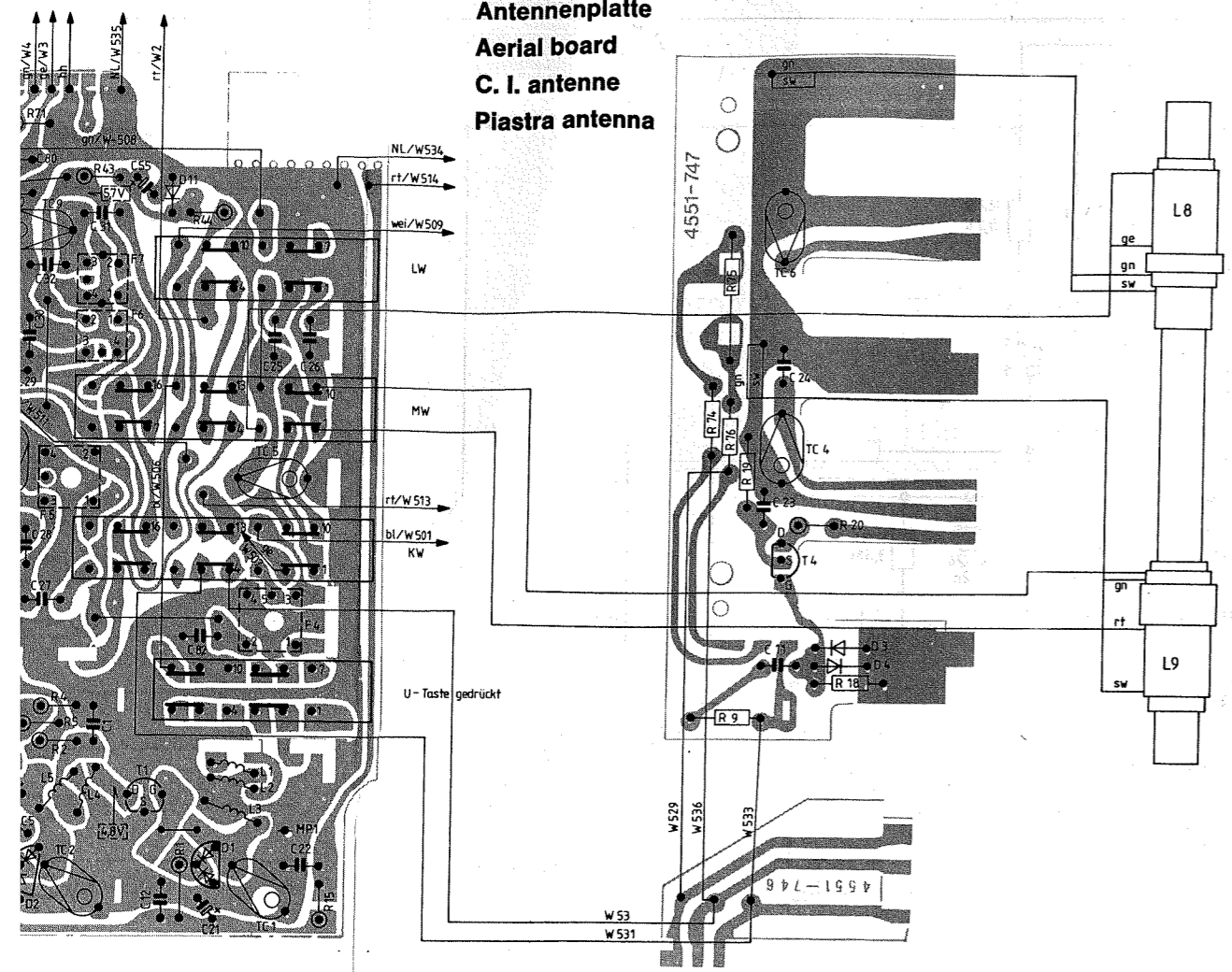


LED-Platte
 LED board
 C. I. LED
 Piastra LED

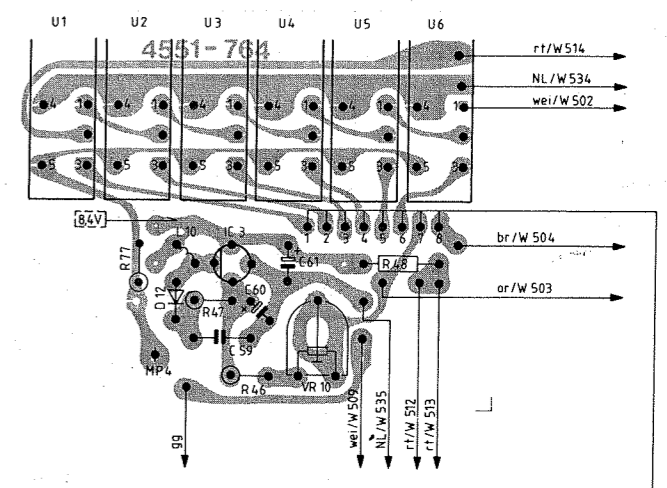


4,44,35,	37,	48,55, 59,37,40,60, 38, 50,	56,39,51,52,61, 62, 57, 53,	54,	58, 75, 63,65,66,76,67,68,77,74, 80, 68, 69,	79,	81, 70, 71, 72, 73,
5,35, 25,26,37, 39,	28, 29,31,46, 43, 44, 38, 47,	34,30, 40,48,41,42,73,49,3,2,33,	63,51,52, 64, 53,	50,	54,55, 65, 70,56,57, 66,	58, 59,	60, 61, 71, 68, 69, 62, 67, 72,

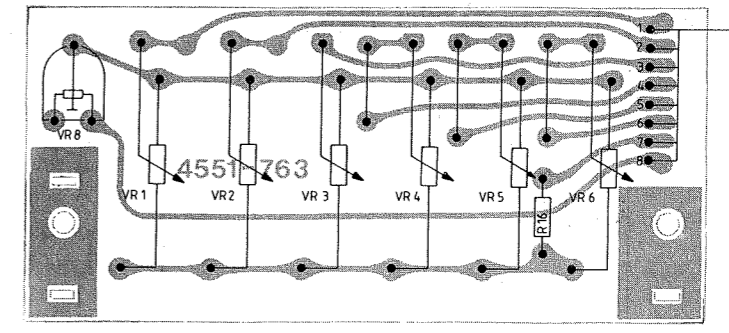
Antennenplatte
Aerial board
C. I. antenne
Piastra antenna



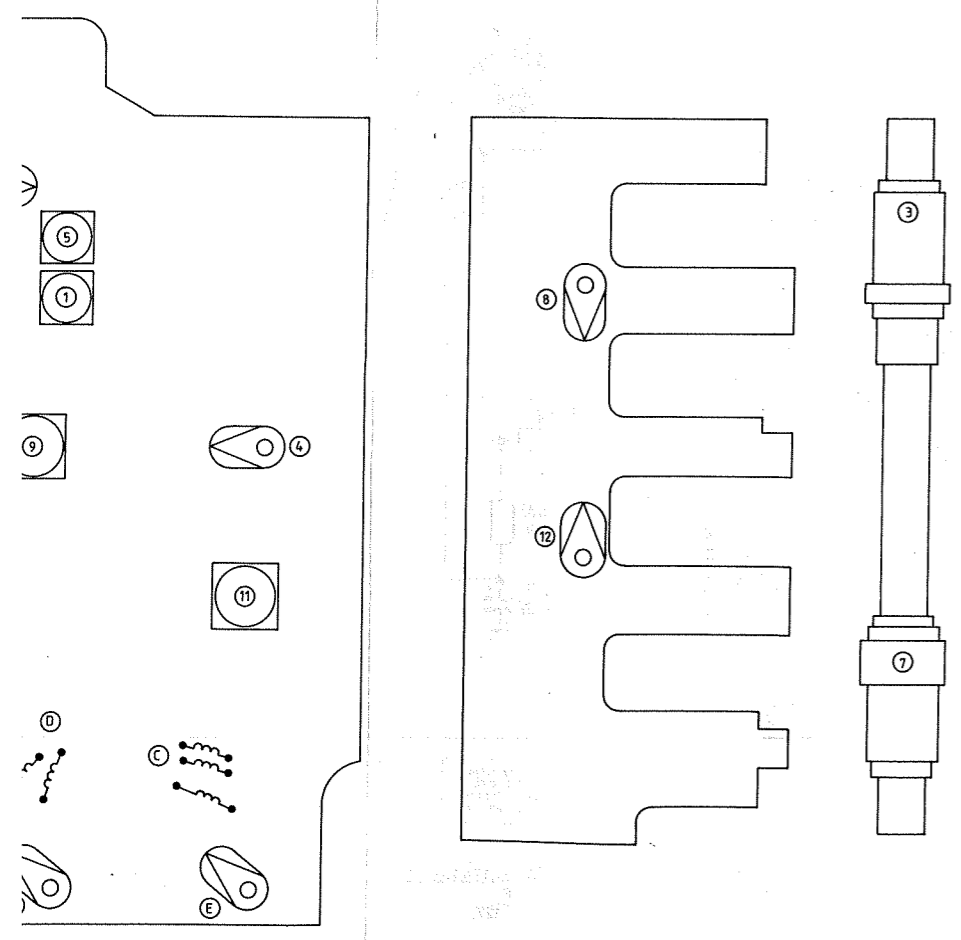
FM-Tastenplatte
FM button board
C. I. clavier FM
Piastra tasti FM



FM-Reglerplatte
FM control board
C. I. régulation FM
Piastra regolatori FM

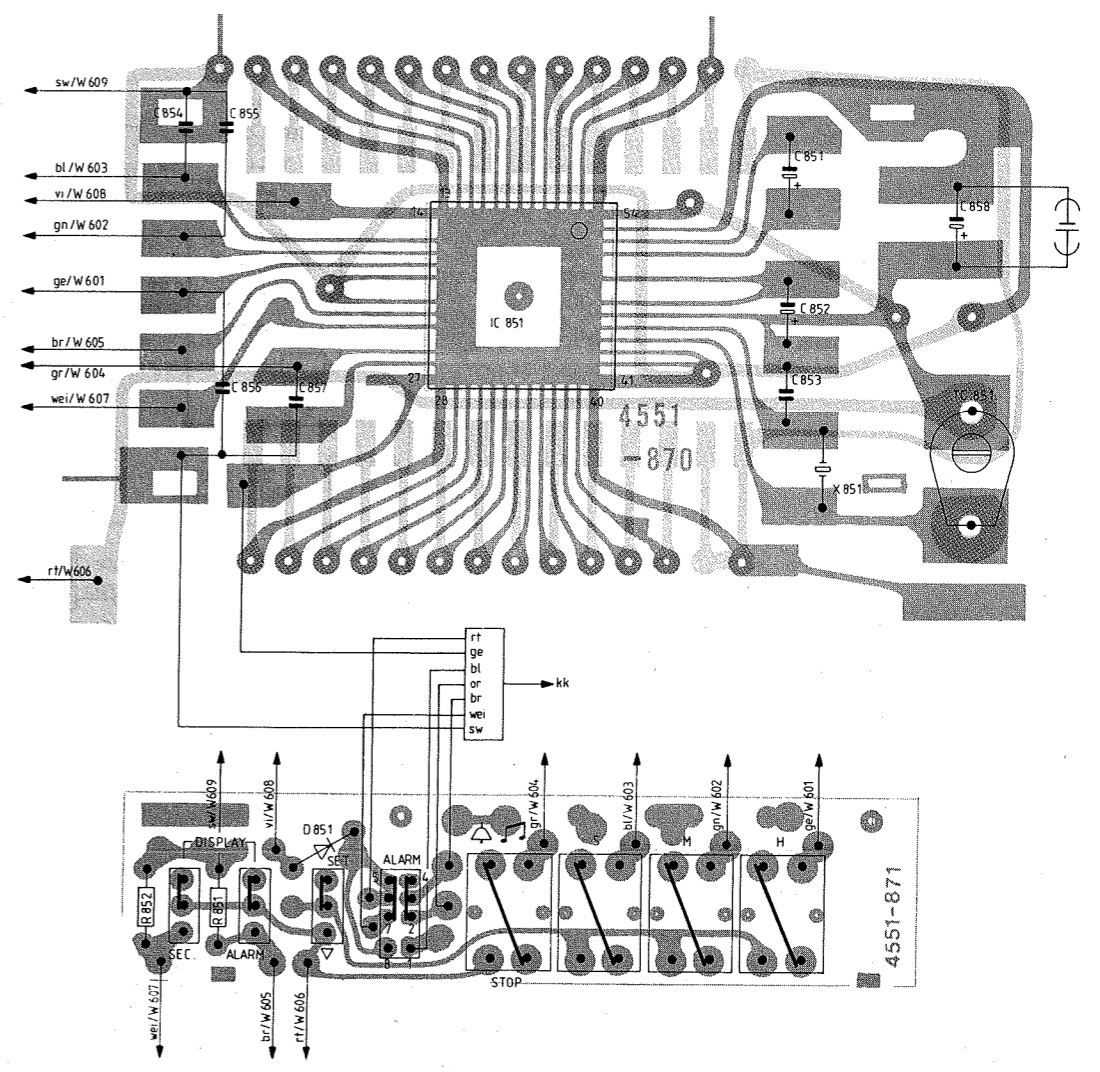


Uhren-Platten (nur RR 750)
Clock boards (RR 750 only)
C. Is. horloge (seulement RR 750)
Piastra orologio (solo RR 750)

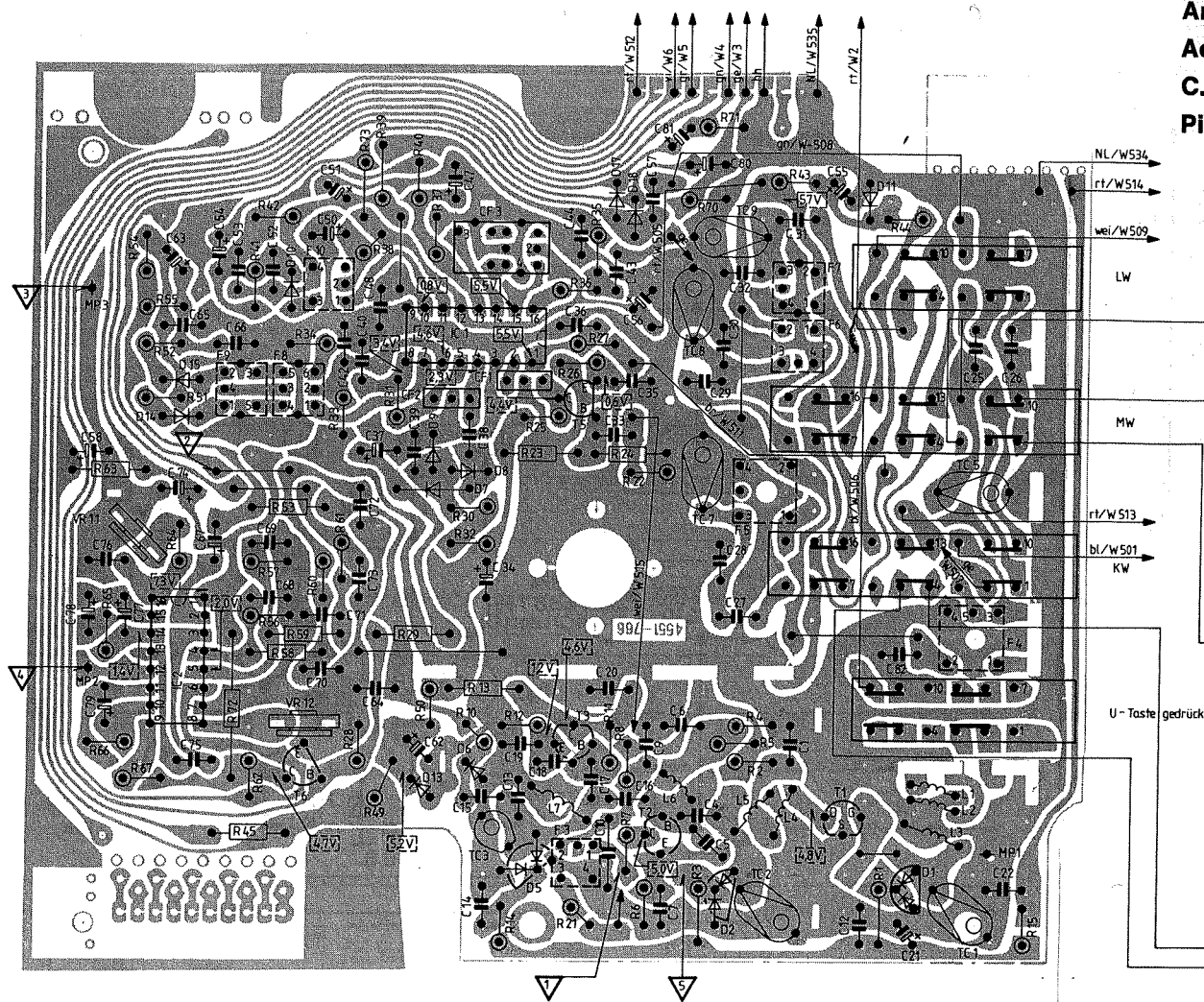


Lötseite
SOLDER SIDE
COTE DES SOUDURES
LATO SALDATURA

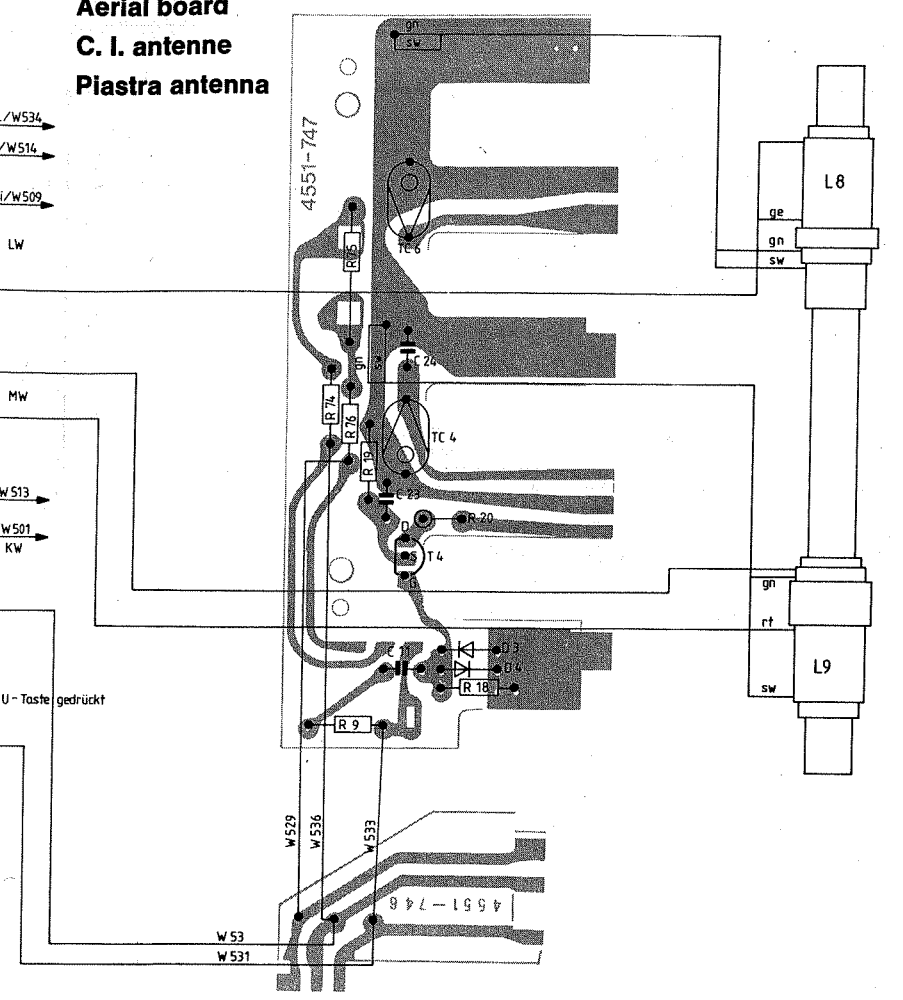
Bestückungsseite
COMPONENT SIDE
COTE DES COMPOSANTS
LATO COMPONENTI



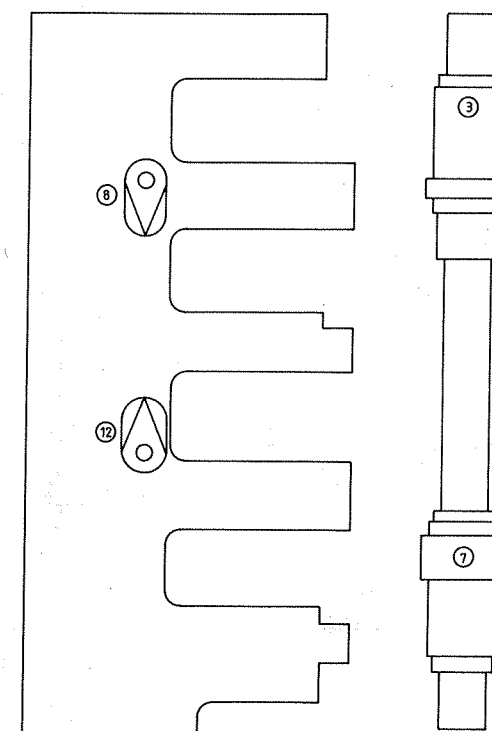
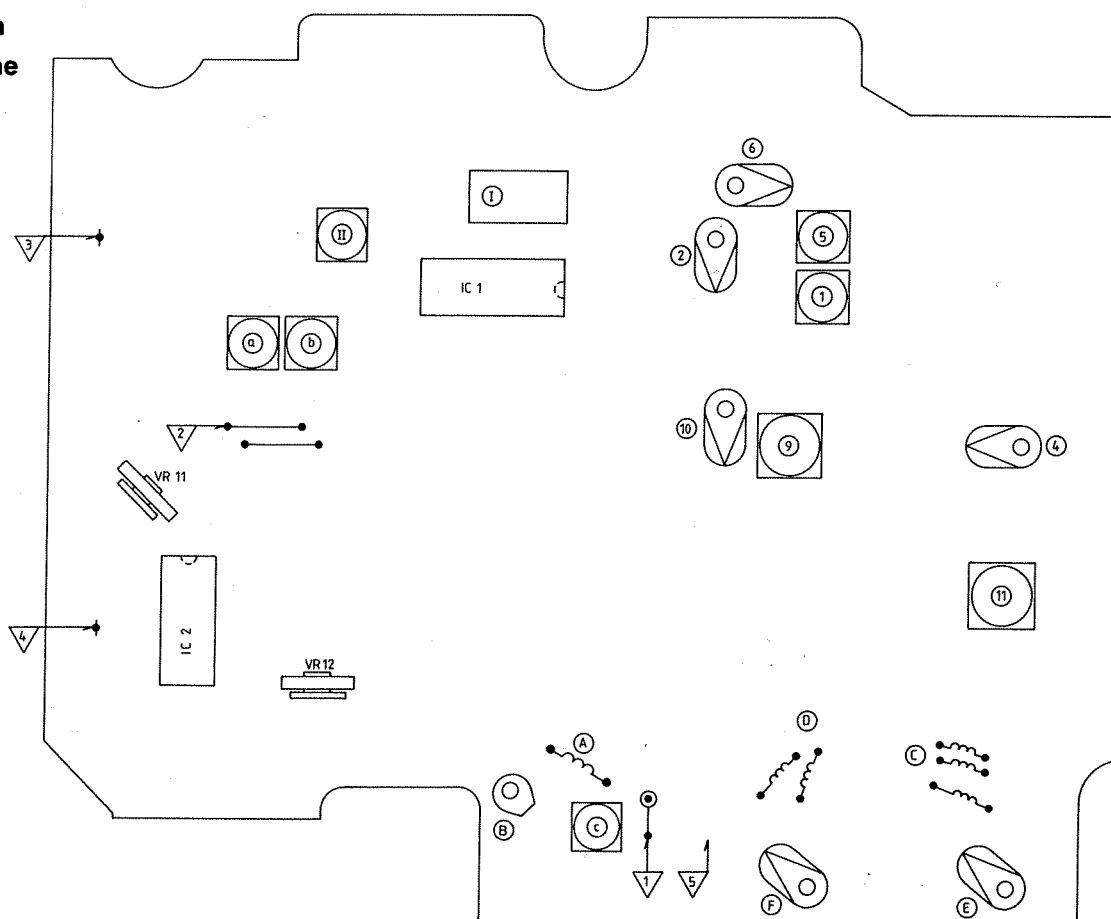
HF-ZF-Platte
HF-IF board
C. I. HF-FI
Piastra AF-FI



Antennenplatte
Aerial board
C. I. antenne
Piastra antenna



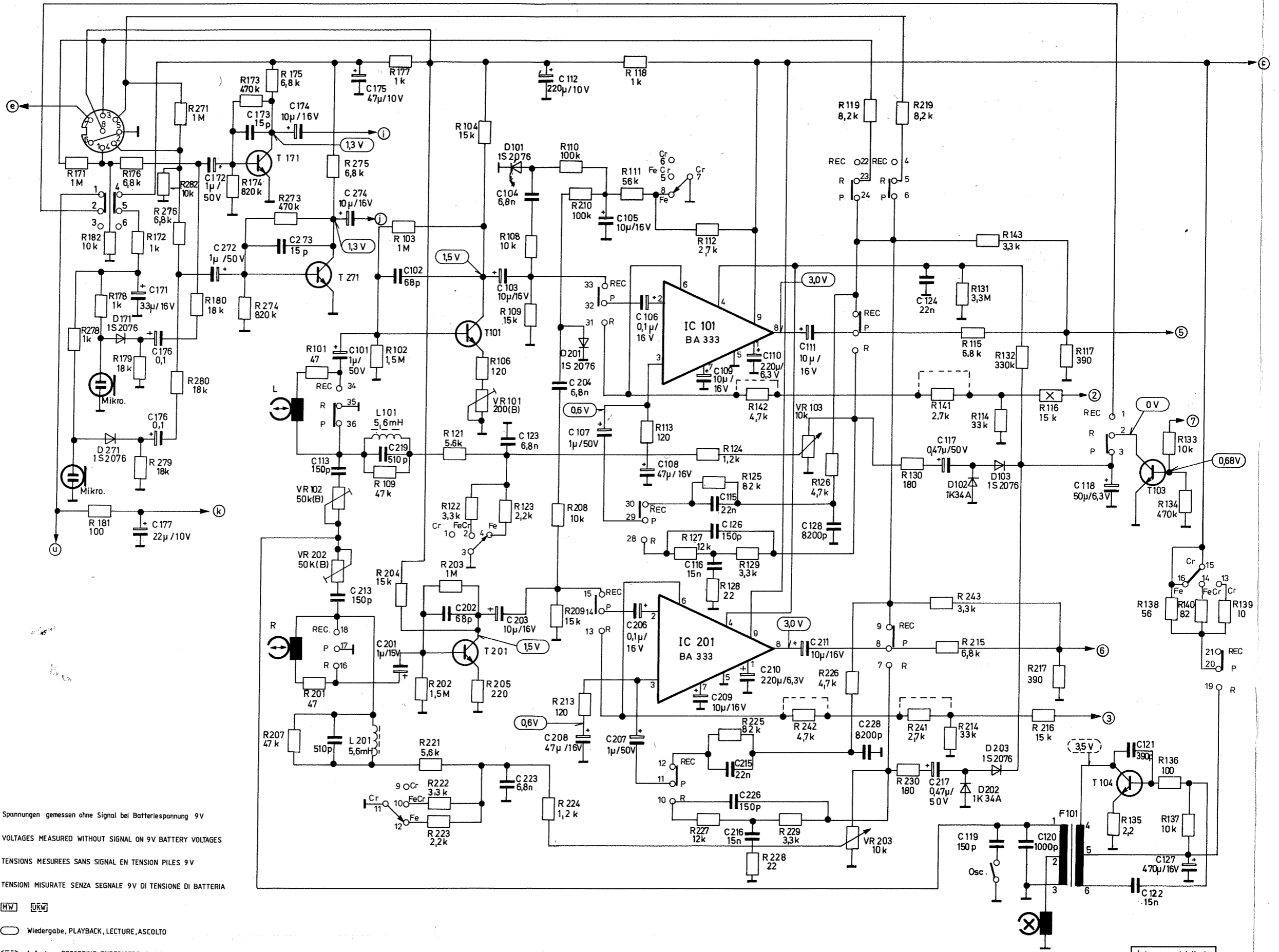
Rundfunk-Abgleichplan
Radio alignment scheme
Plan de réglage radio
Piano taratura radio



Lötseite
SOLDER SIDE
COTE DES SOUDURE
LATO SALDATURA

RR 750

Tonbandteil
Tape recorder unit
Partie magnétophone
Sezione registratore



Spannungen gemessen ohne Signal bei Batteriespannung 9V
VOLTAGES MEASURED WITHOUT SIGNAL ON 9V BATTERY VOLTAGES
TENSIONS MESUREES SANS SIGNAL EN TENSION PILES 9V
TENSIONI MISURATE SENZA SEGNALE 9V DI TENSIONE DI BATTERIA

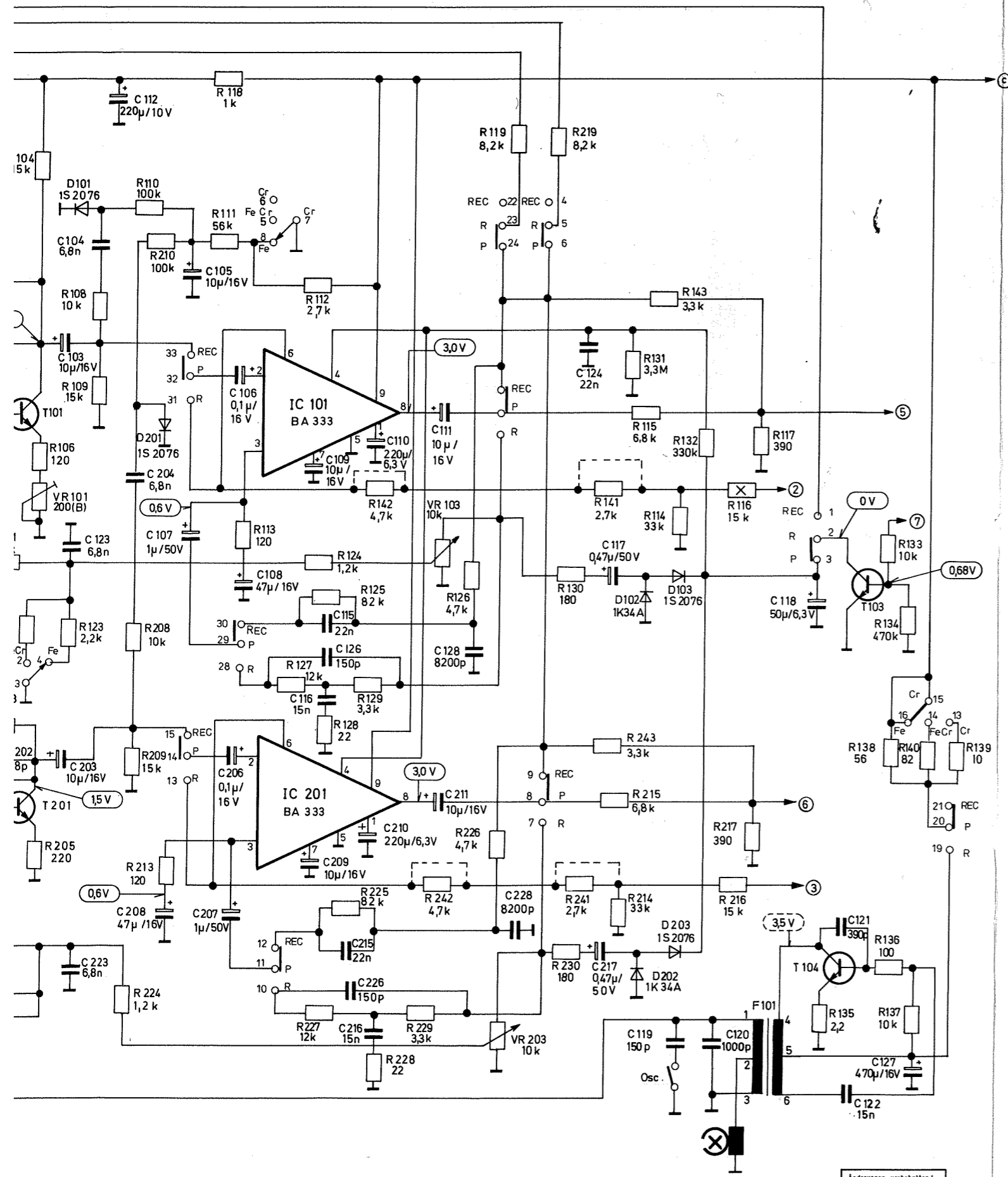
MW UKW

Wiedergabe, PLAYBACK, LECTURE, ASCOLTO

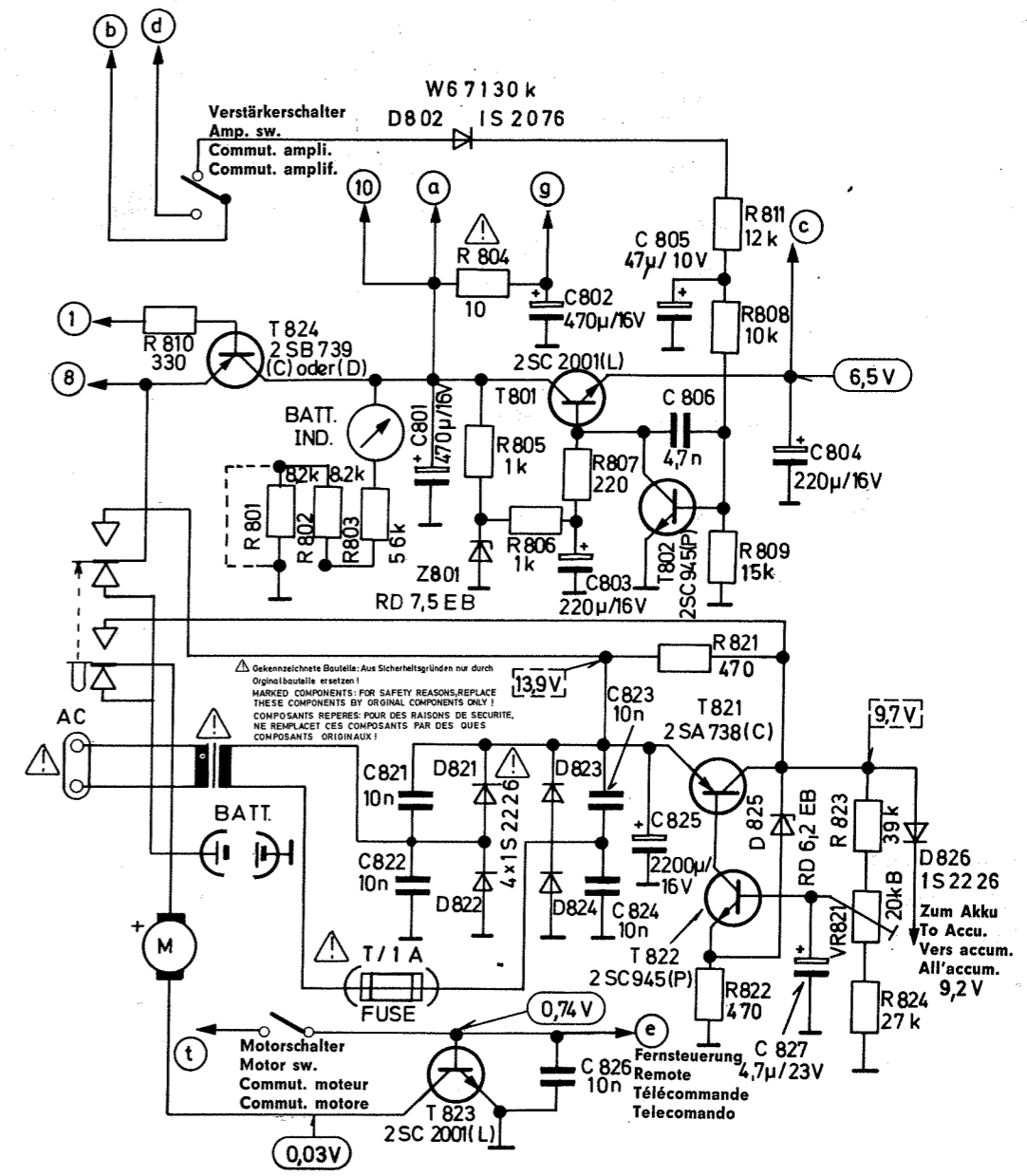
Aufnahme, RECORDING, ENREGISTREMENT, REGISTRAZIONE

Anderungen vorbehalten |
ALTERATIONS RESERVED |
MODIFICAZIONI RISERVATE |
CON RISERVA DI MODIFICA |

R :	171, 178, 176, 172, 279, 217, 280, 174, 173, 273, 207, 101, 275, 102, 177, 202, 221, 222, 223, 104, 123, 108, 110, 224, 209, 213, 118, 113, 111, 112, 128, 227, 225, 129, 228, 229, 242, 126, 119, 219, 230, 130, 241, 243, 215, 214, 131, 143, 132, 216, 217, 135, 115, 133, 136, 137, 134, 140, 139, 278, 181, 182, 179, 282, 276, 180, 274, 201, 109, 103, 204, 203, 122, 205, 106, 109, 210, 127, 124, 125, 142, 141, 114, 116, 117,
C :	171, 176, 177, 172, 272, 173, 174, 273, 274, 101, 175, 113, 213, 102, 201, 202, 103, 123, 103, 203, 223, 123, 104, 112, 204, 208, 105, 106, 206, 207, 107, 108, 209, 226, 215, 216, 210, 111, 211, 128, 228, 124, 217, 117, 119, 112, 122, 122, 15n, 127,



Netzteil
Mains unit
Bloc secteur
Alimentatore



Spannungen gemessen ohne Signal bei Batteriespannung 9V
 VOLTAGES MEASURED WITHOUT SIGNAL ON 9V BATTERY VOLTAGES
 TENSIONS MESUREES SANS SIGNAL EN TENSION PILES 9V
 TENSIONI MISURATE SENZA SEGNALE 9V DI TENSIONE DI BATTERIA

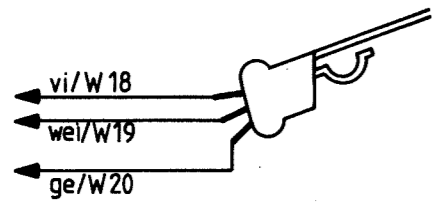
MW **UKW**

○ Wiedergabe, PLAYBACK, LECTURE, ASCOLTO
 ○ Aufnahme, RECORDING, ENREGISTREMENT, REGISTRAZIONE

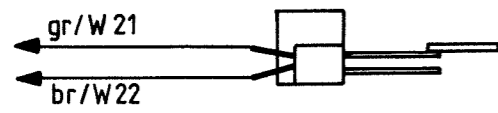
C:	821, 822,	801,	802, 803, 823, 826, 824,	825, 805, 806,	804, 827,
R:	810,	801,	802, 803,	804, 805, 806, 807,	821, 811, 809, 808, 822, 823, 824,

223, 104, 123, 108, 22, 205, 106, 109,	110, 224, 209, 213, 118, 113, 111,	112, 128, 227, 225, 129, 228, 229, 242, 126, 119, 219, 230, 130, 241, 243, 215, 214, 131, 143, 132, 216, 217, 141, 114, 116, 117,	135, 115, 133, 136, 137, 134, 140, 139, 138,
33, 123, 103, 203, 223, 123, 104, 112, 204, 208, 105, 106, 206, 207, 107, 108,	209, 226, 215, 216, 210, 111, 211, 128, 228, 124, 217, 117, 109, 116, 126, 15, 110,	118, 121, 122, 127,	

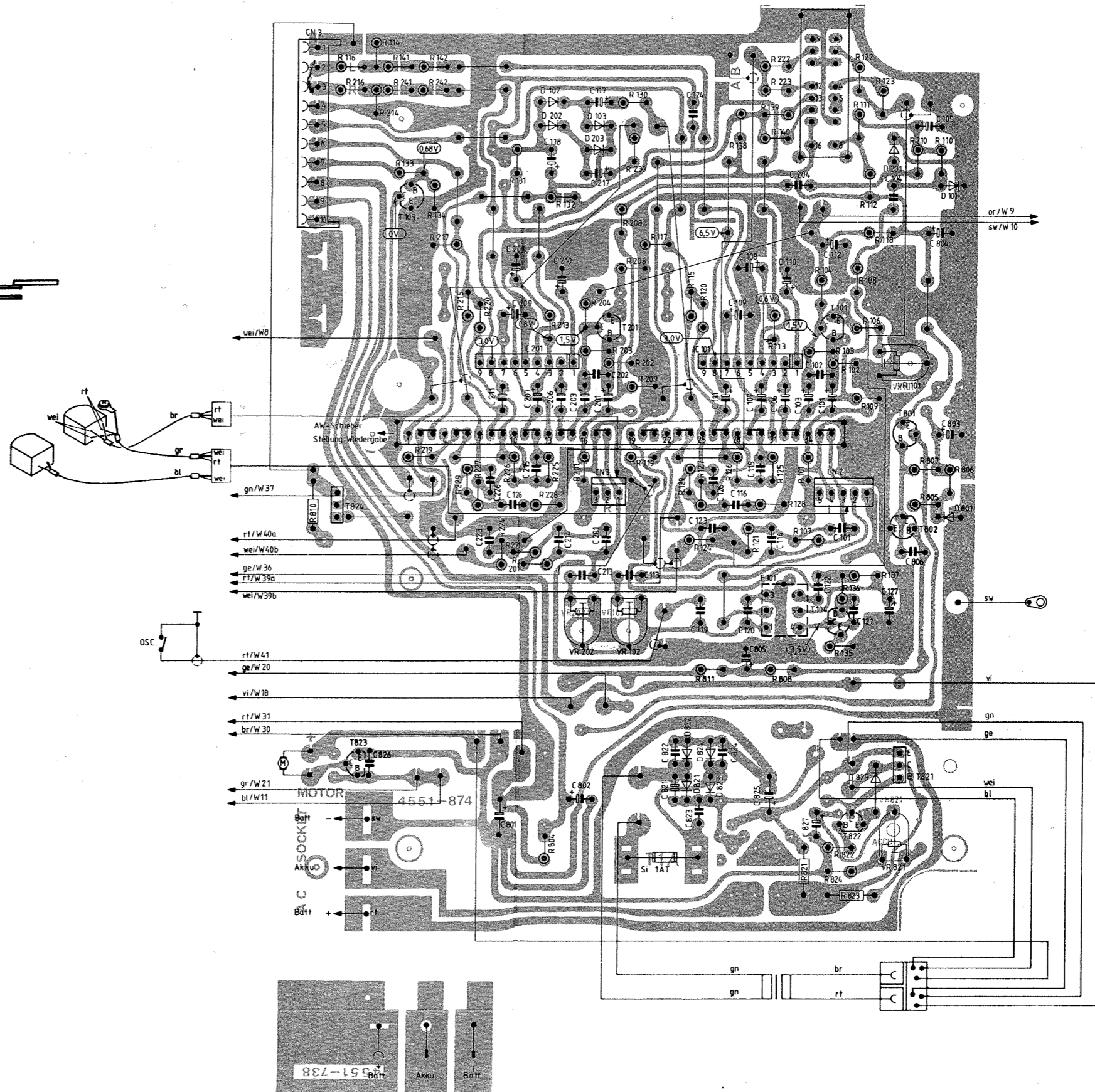
Verstärkerschalter
 Amp. sw.
 Commat. ampli.
 Commat. amplif.



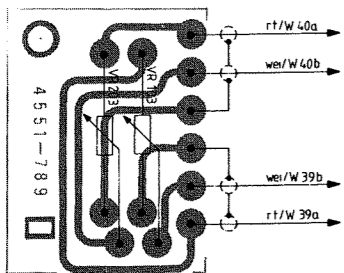
Motorschalter
 Motor sw.
 Commut. moteur
 Commut. motore



Tonbandplatte
 Tape board
 C. I. magnéphone
 Piastra registratore

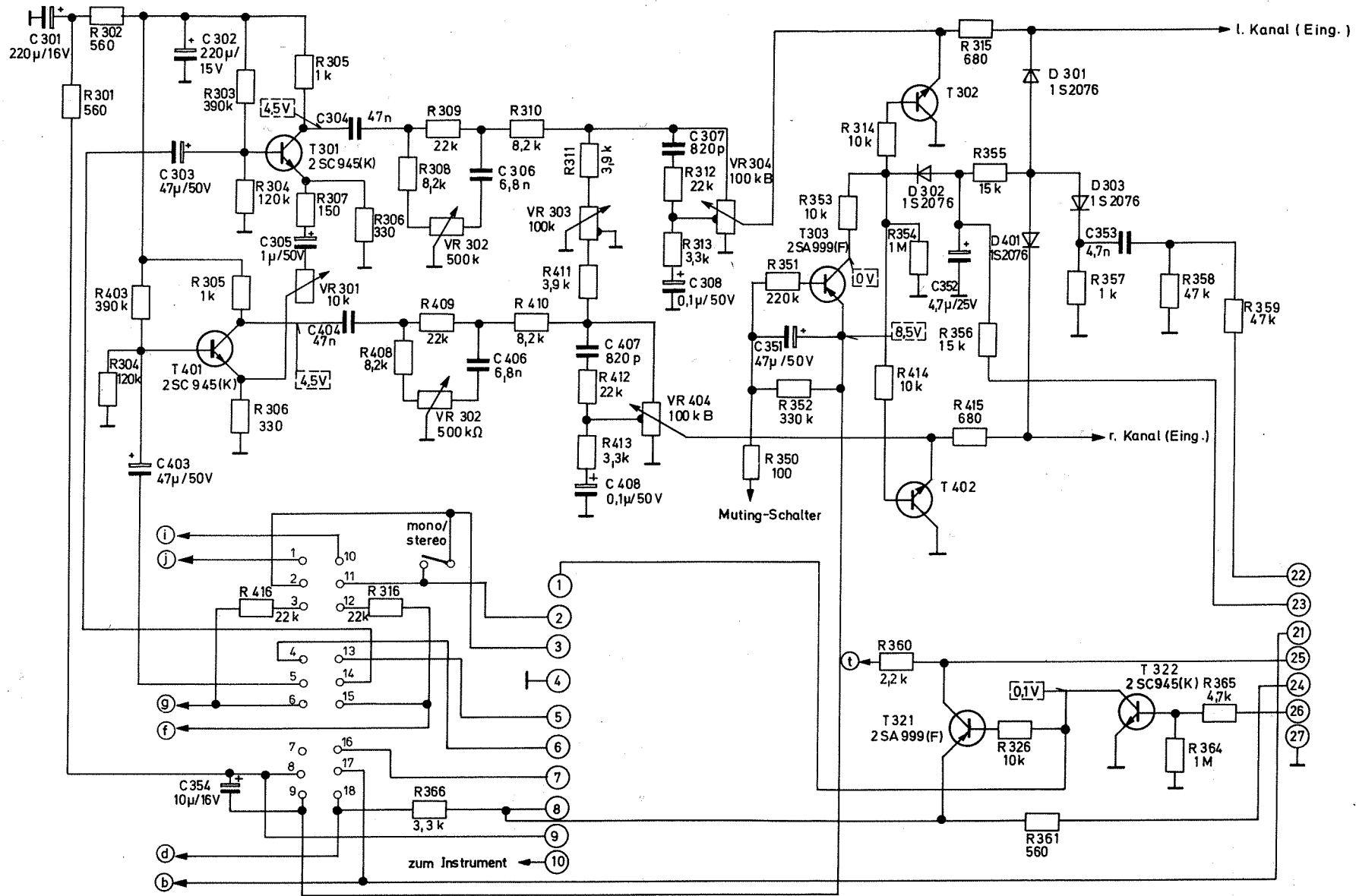


VAT-Platte
 VAT board
 C. I. VAT
 Piastra VAT



RR 750

NF-Vorverstärker
 AF preamplifier
 Préampli BF
 Preamplificatore BF



Spannungen gemessen ohne Signal bei Batteriespannung 9V
 VOLTAGES MEASURED WITHOUT SIGNAL ON 9V BATTERY VOLTAGES
 TENSIONS MESUREES SANS SIGNAL EN TENSION PILES 9V
 TENSIONI MISURATE SENZA SEGNALE 9V DI TENSIONE DI BATTERIA

MW URW

Wiedergabe, PLAYBACK, LECTURE, ASCOLTO
 Aufnahme, RECORDING, ENREGISTREMENT, REGISTRAZIONE

C:	301,	403,	303,302,	354,	305,	404,	304,	306,406,	407,413,	307,308,	351,	352,	353,
R:	301,302,304,403,	306,305,302,304,416,305,	307,306,408,	316,366,409,	310,410,	411,311,	412,413,313,312,	350,352,351,	353,314,354,360,415,315,356,355,	326,361,357,	358,364,	365,359,	

