

**MEASUREMENT CONDITIONS**

Line voltage set at 115V, 60 cps.  
 Frequency dial set at 1 mc.  
 MODULATION SELECTOR set at INT. 1 kc;  
 30% modulation; RF output terminated into 50 ohms load. Voltages shown are for guidance; value may vary from those shown due to tube aging or normal differences between instruments. DC voltages were measured with a voltmeter having an input resistance of 122 megohms and are shown with respect to chassis ground. Waveforms measured with @ Model 150A Oscilloscope, @ Model 152B Dual Trace Pre-amplifier, and AC-21A Probe to obtain 10 megohms input impedance.

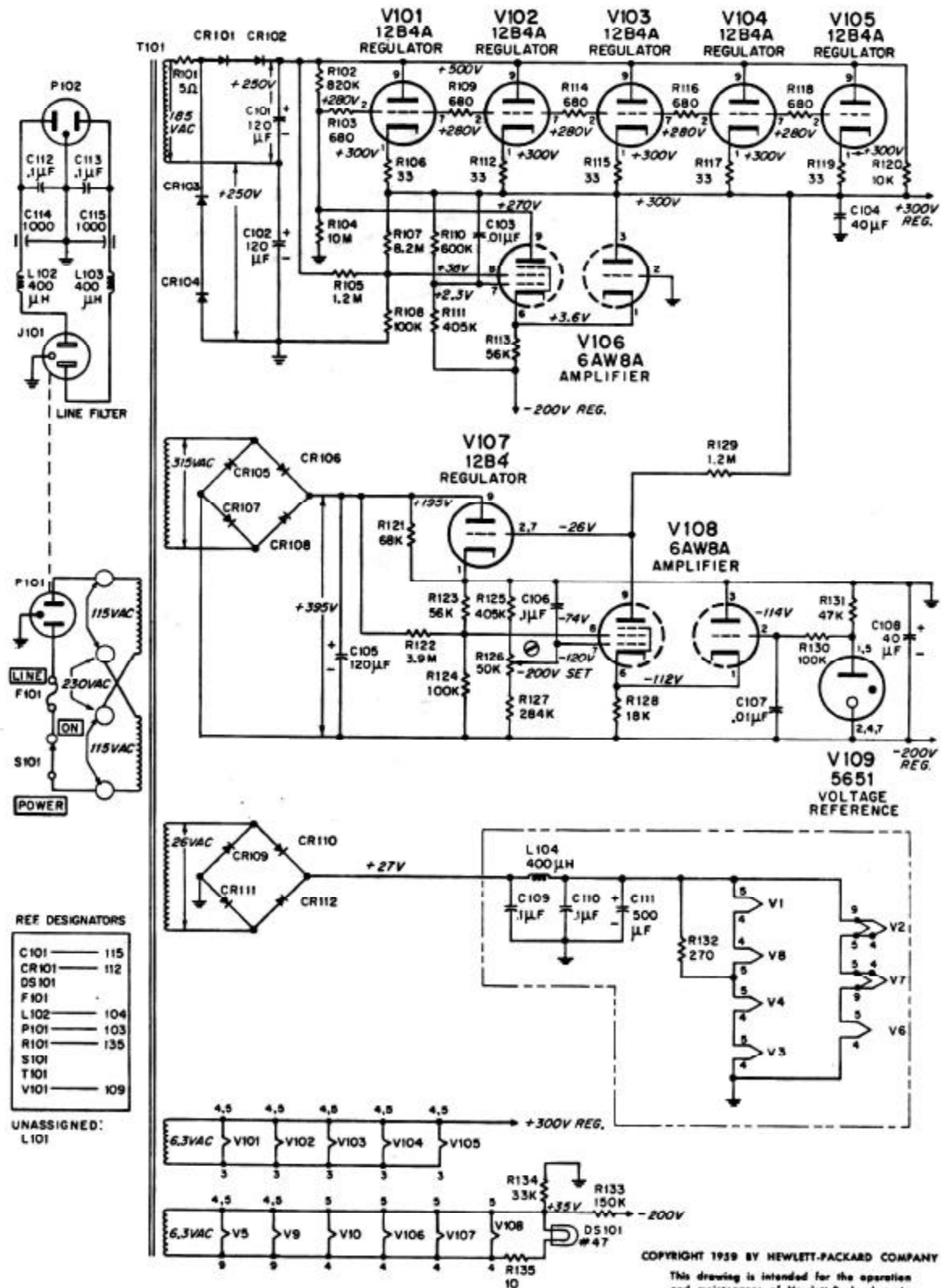
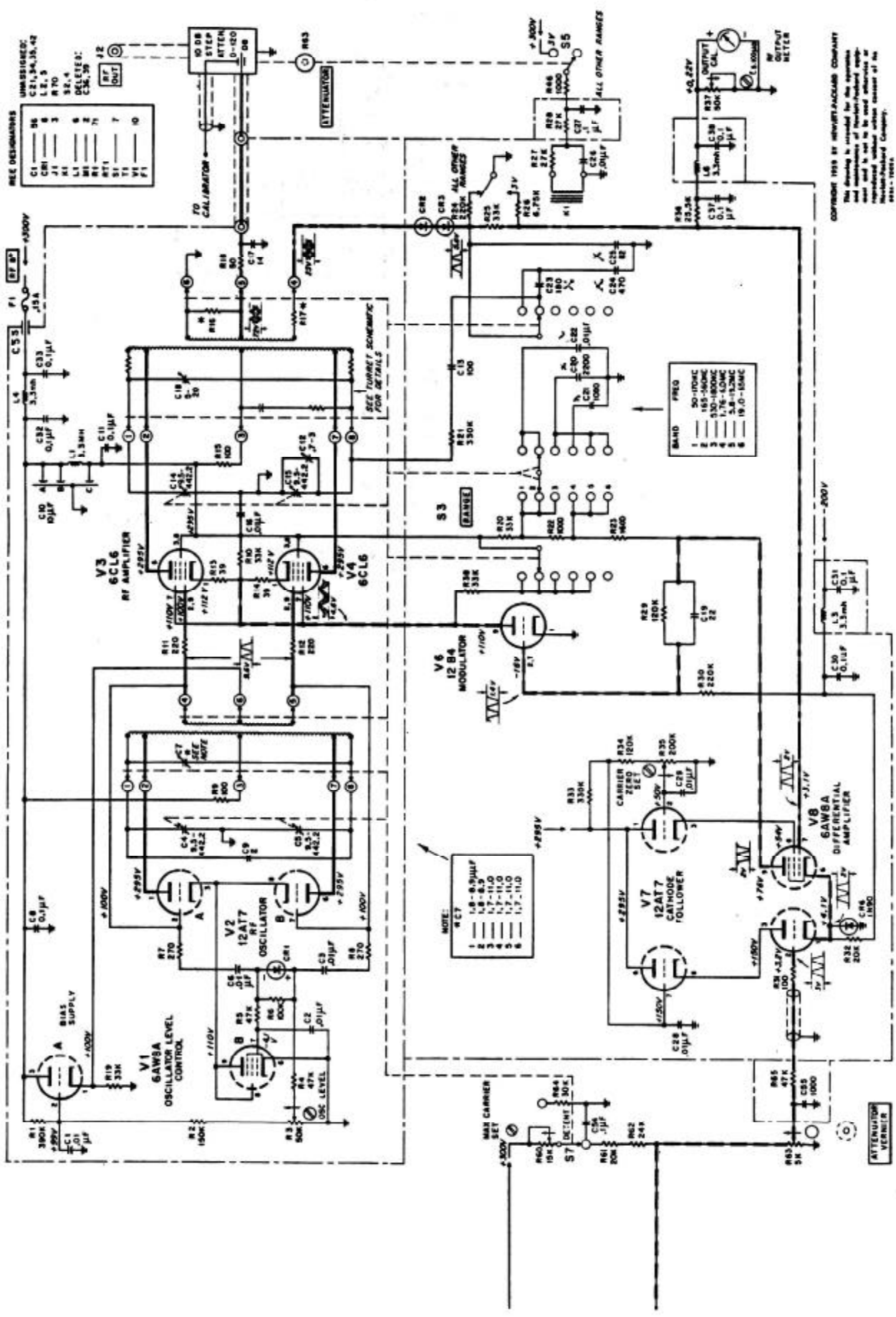


Figure 4-8. Power Supply



REL DESIGNATORS

R6	10
R7	10
R8	10
R9	10
R10	10
R11	10
R12	10
R13	10
R14	10
R15	10
R16	10
R17	10
R18	10
R19	10
R20	10
R21	10
R22	10
R23	10
R24	10
R25	10
R26	10
R27	10
R28	10
R29	10
R30	10
R31	10
R32	10
R33	10
R34	10
R35	10

UNASSIGNED:  
 C1, 34, 35, 42  
 L1, 2, 3  
 R70  
 S1, 4  
 DELETES:  
 S2, 3  
 C36, 38

BAND FREQ

1	50-100KC
2	100-150KC
3	150-200KC
4	1.76-1.83MC
5	5.8-13.2MC
6	19.0-19.6MC

NOTE: WCT

1	1.8-8.5UUF
2	1.8-11.0
3	1.7-11.0
4	1.7-11.0
5	1.7-11.0
6	1.7-11.0

COPYRIGHT 1955 BY HERTZ-FRANKS COMPANY  
 This drawing is intended for the reproduction and construction of Hertz-Franks equipment and is not to be used without the written consent of Hertz-Franks Company.  
 1955-10025