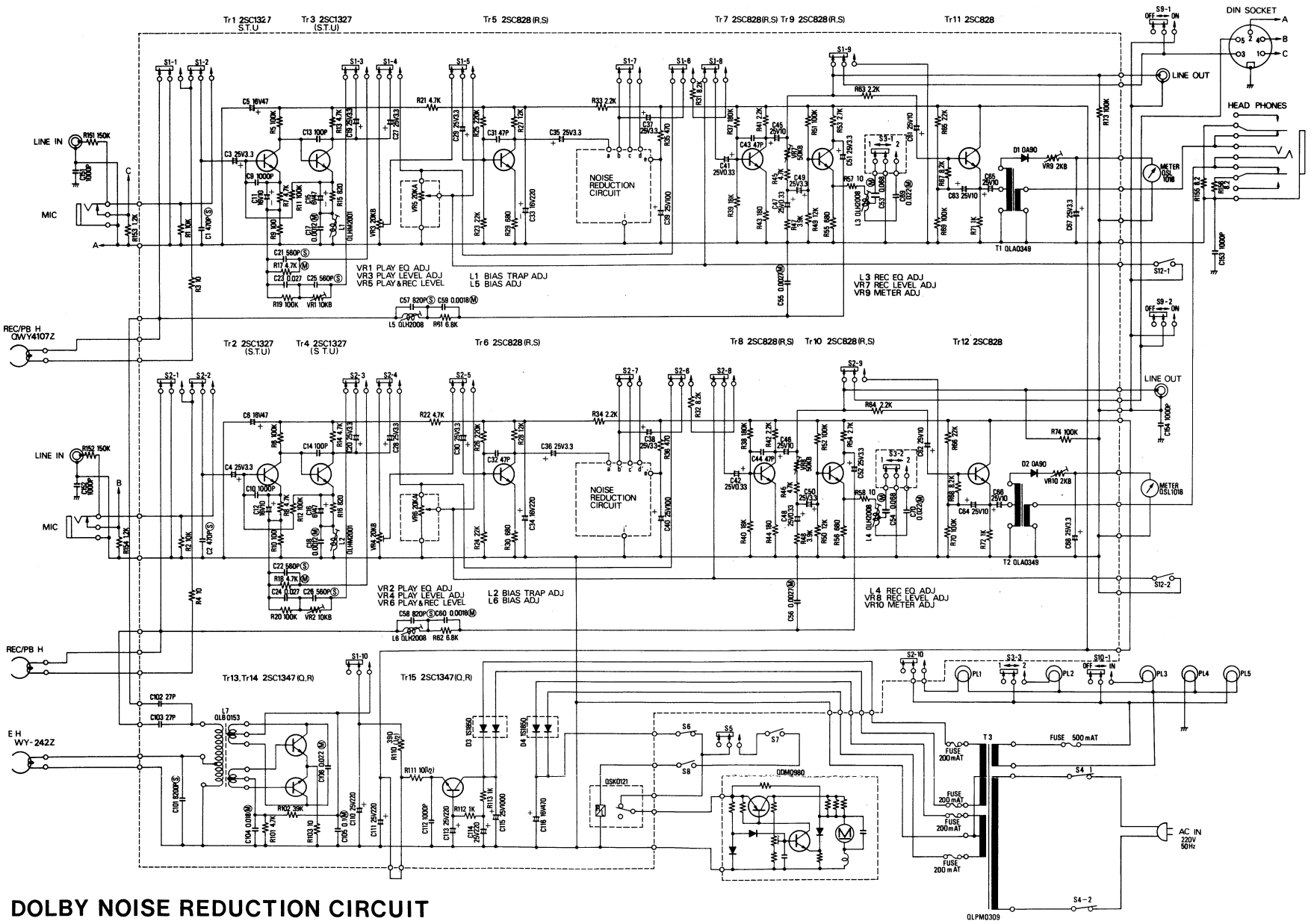
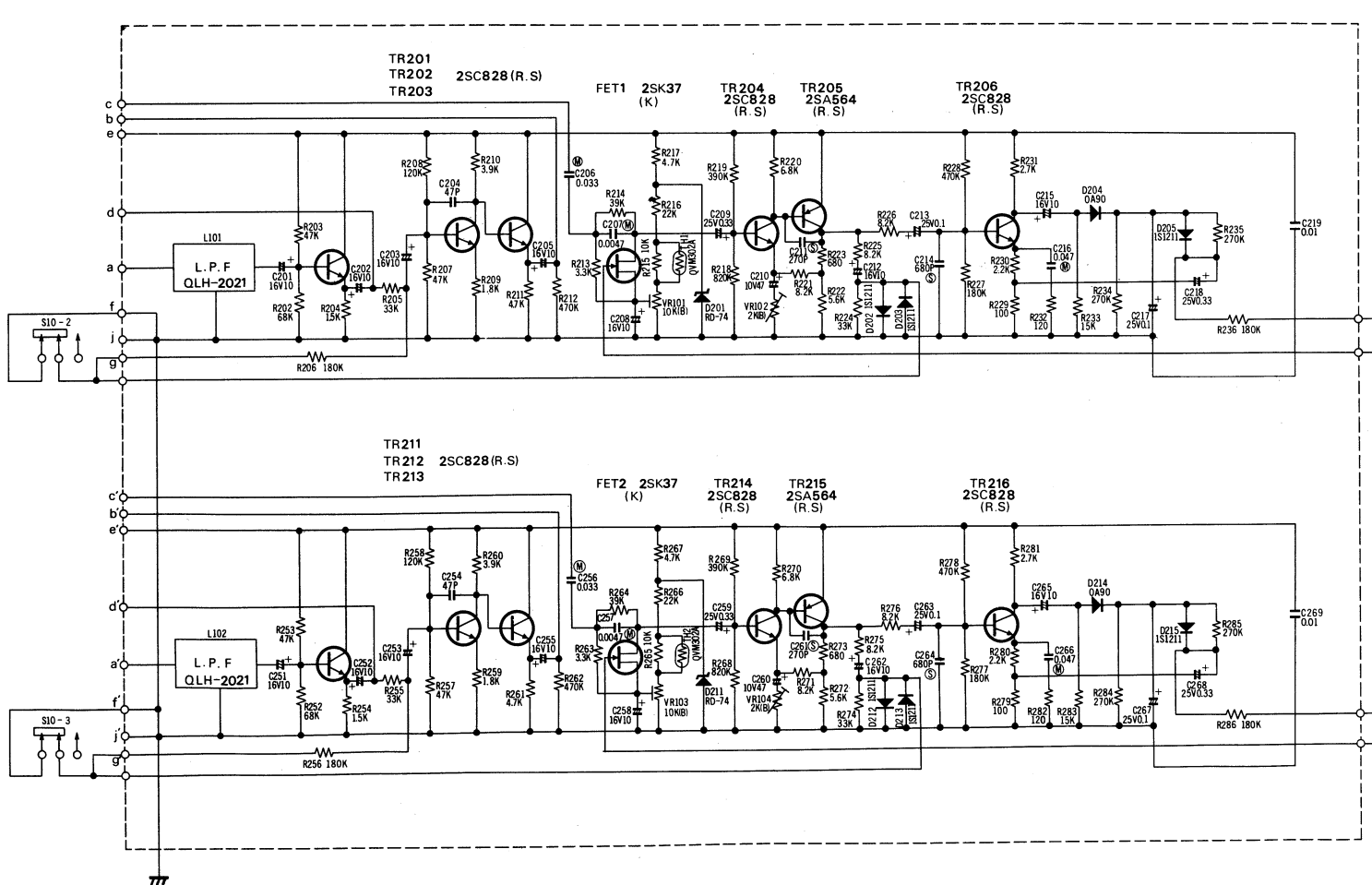


# TAPE DECK MODEL RS-263US Schematic Diagram

## PRE-AMPLIFIER UNIT



## DOLBY NOISE REDUCTION CIRCUIT



- S1-1 ~ S1-10, S2-1 ~ S2-10  
REC/PLAY SW (PLAY, Position)
- S3-1 ~ S3-3  
TAPE SELECTOR SW (NORMAL Position)
- 1. NORMAL 2. CrO2
- S4  
POWER SW (ON, Position)
- S5  
MEMORY REW. ON/OFF SW (OFF Position)
- S6  
MOTOR ON/OFF SW (ON Position)
- S7  
ON/OFF SW (ON in REW Position)
- S8  
COUNTER SW
- S9  
STOP SW (OFF in PLAY Position)
- S10-1, S10-2, S10-3  
NOISE REDUCTION CIRCUIT IN-OUT SW (OUT Position)
- PL1 RECORD LAMP
- PL2 TAPE SELECTOR LAMP
- PL3 NOISE REDUCTION CIRCUIT LAMP
- PL4 ~ PL5 METER LAMP
- S12-1 ~ S12-2 MUTING SW
- S11 Voltage selector switch

\* This schematic diagram is subject to change, to accommodate improvements in design.