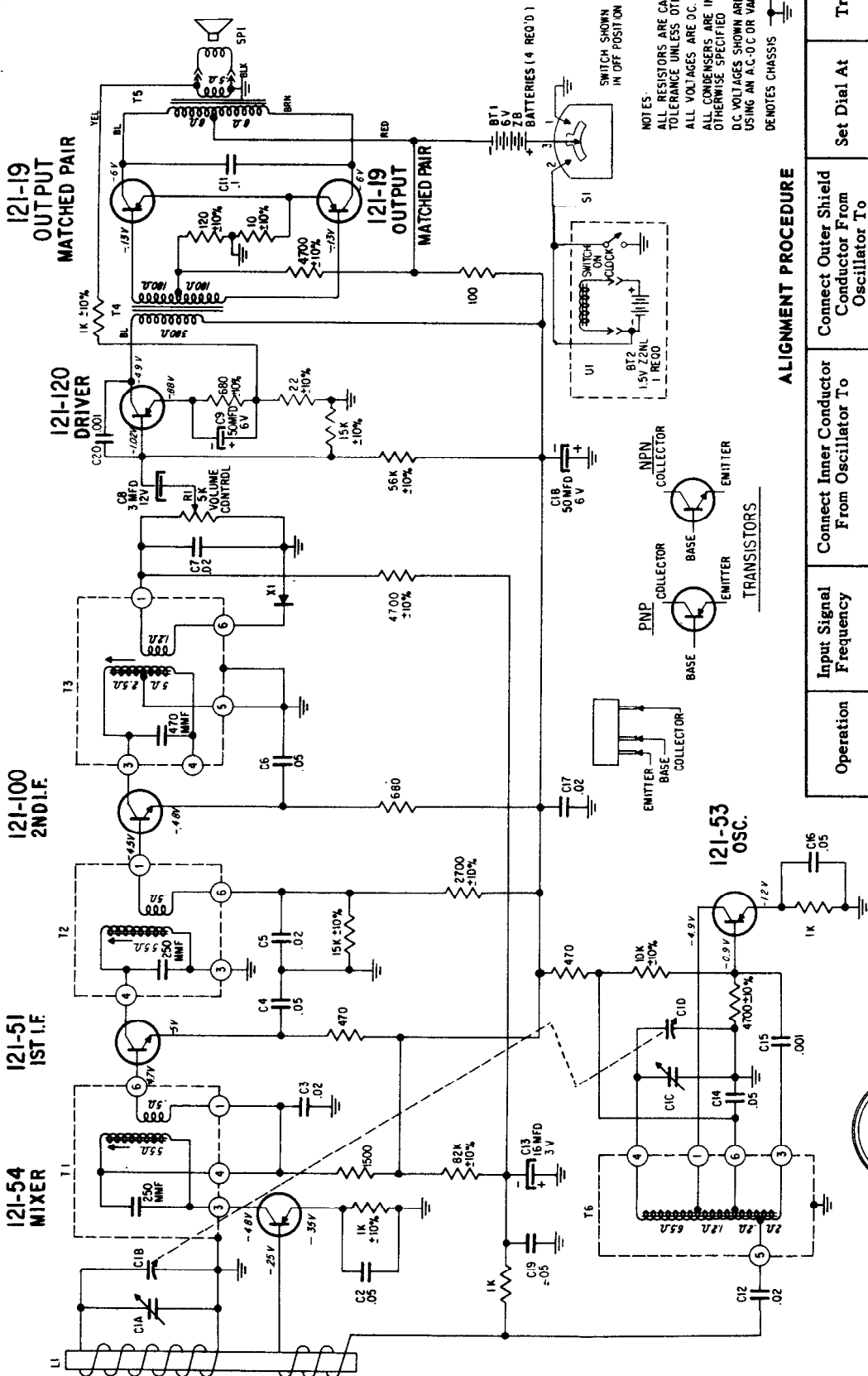


VOLUME R-20, MOST-OFTEN-NEEDED 1960 RADIO

ZENITH RADIO Chassis 7AT46Z1

Model "Royal 950"

(Continued on page 190, over)



NOTES:
 ALL RESISTORS ARE CARBON, 1/2 WATT, ±20% TOLERANCE UNLESS OTHERWISE SPECIFIED.
 ALL VOLTAGES ARE D.C. UNLESS OTHERWISE SPECIFIED.
 ALL CAPACITORS ARE IN MICROFARADS UNLESS OTHERWISE SPECIFIED.
 D.C. VOLTAGES SHOWN ARE MEASURED WITH NO SIGNAL USING AN A.C. OR VACUUM TUBE VOLTMETER.
 ⏏ DENOTES CHASSIS GROUND.

ALIGNMENT PROCEDURE

Operation	Input Signal Frequency	Connect Inner Conductor From Oscillator To	Connect Outer Shield Conductor From Oscillator To	Set Dial At	Trimmers	Purpose	
1	455 KC	ONE TURN LOOSELY COUPLED TO WAVEMAGNET	Chassis	600 KC	Adj. T1, T2, T3 for maximum output.	For I.F. Alignment	
2	1620 KC			Gang wide open.	C1C	Set Oscillator to dial scale.	
3	535 KC			Gang Closed	Adjust slug in T6	Set Oscillator to dial scale.	
4	REPEAT STEPS 2 & 3						
5	1260 KC				1260 KC	C1A	Align loop ant.

DIAL CORD DRIVE

