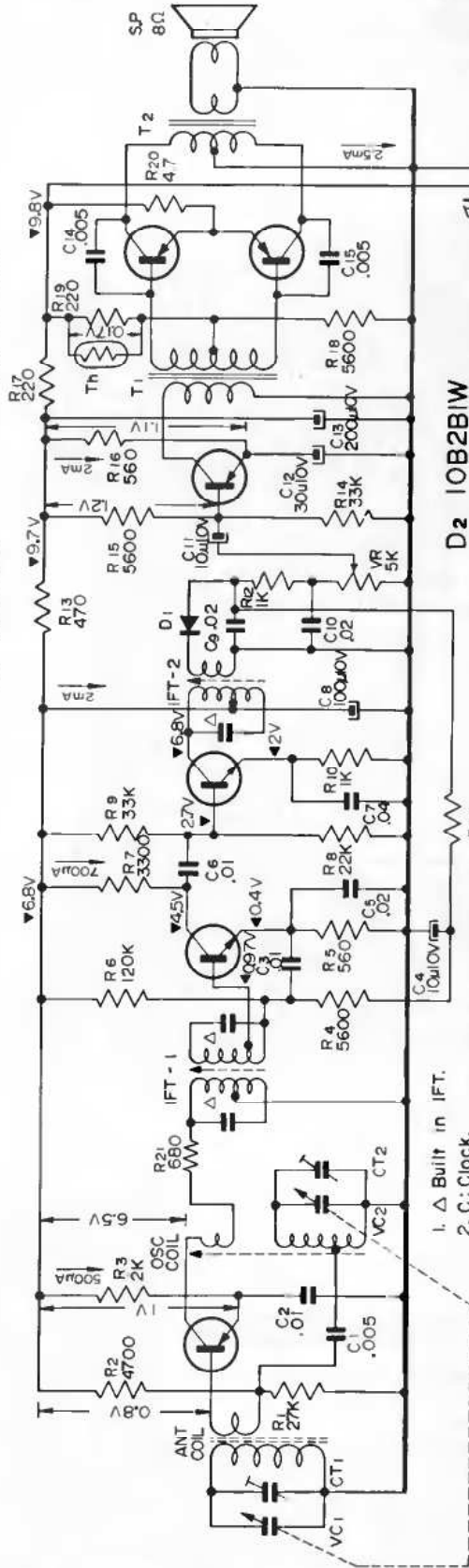


# SONY

# 6RC-23

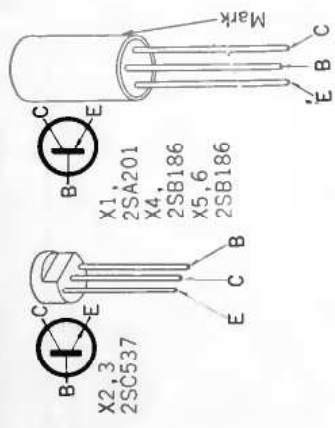
X1 2SA201 X2 2SC537 X3 2SC537 X4 2SB186 X5,6 2SB187

Th 23D27 D1 IS426G



D2 10B2BIW

1. Δ Built in IFT.  
2. C: Clock.



### Mounting Diagram

—Conductor Side—

- Antenna System: Built-in Ferrite Bar Antenna
- Intermediate Frequency: 455 Kc
- Maximum Sensitivity: 100  $\mu$ V/m (at 50mW output)
- Selectivity: 20 dB at 10 Kc off resonance, at 1,400 Kc
- Power Output: 300 mW (undistorted)  
450 mW (maximum)
- Speaker: 2 1/2" (60mm) PM dynamic, impedance 8 $\Omega$
- Power Requirement: AC 110~120V, 60 c/s, 5W