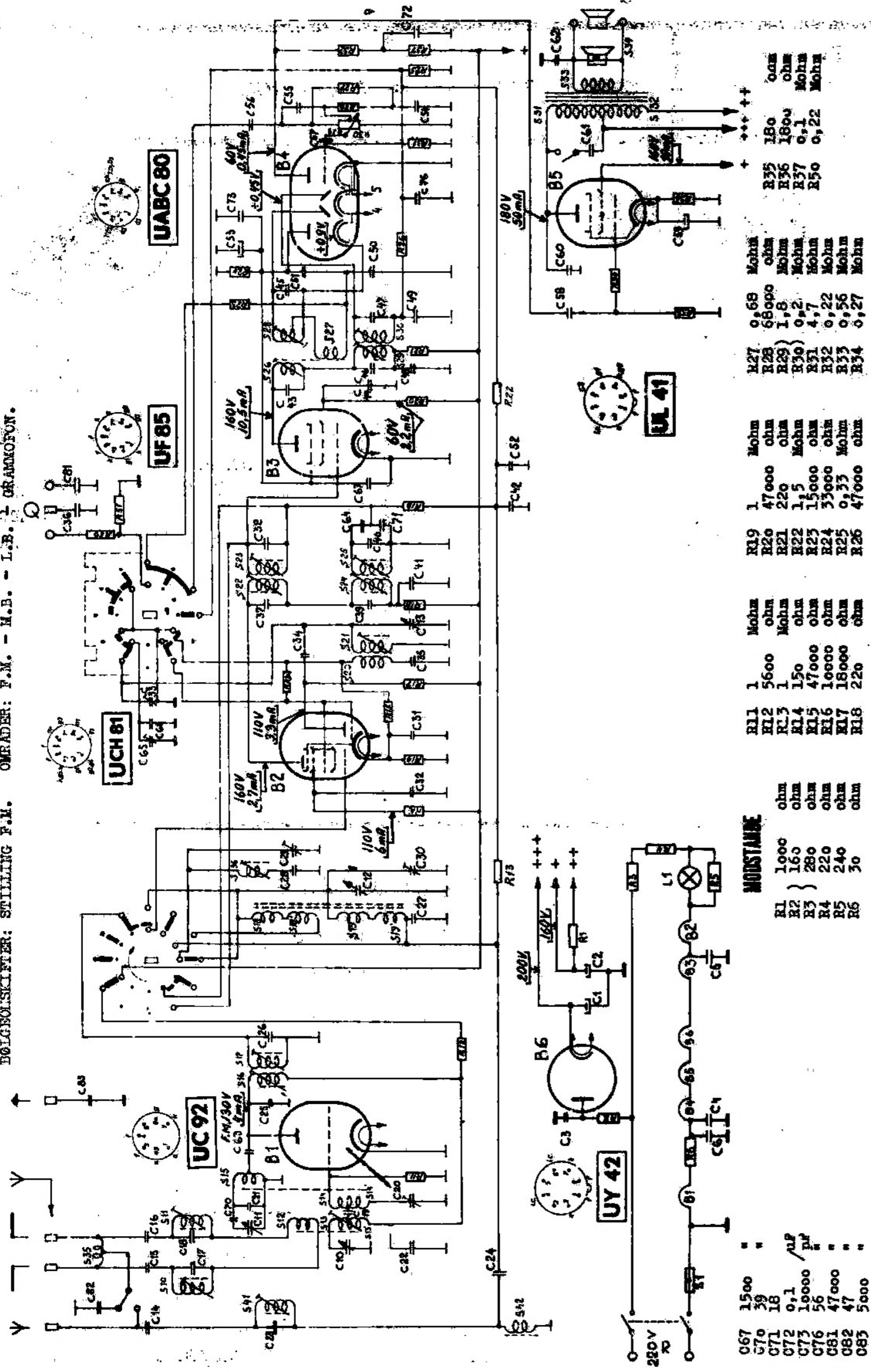


**KONDENSATORER**

C1	50	μF
C2	50	μF
C3	22000	μF
C4	10000	μF
C5	1500	μF
C6	10000	μF
C10	12	μF
C11	12	μF
C12	470	μF
C13	160	μF
C14	5000	μF
C15	47	μF
C16	47	μF
C17	47	μF
C18	47	μF
C19	220	μF
C20	50	μF
C21	6,8	μF
C22	1000	μF
C23	1000	μF
C24	400	μF
C25	18	μF
C26	15	μF
C27	3000	μF
C28	56	μF
C29	100	μF
C30	20	μF
C31	10000	μF
C32	10000	μF
C33	20	μF
C34	470	μF
C35	100	μF
C36	5000	μF
C37	15	μF
C38	15	μF
C39	110	μF
C40	110	μF
C41	1500	μF
C42	47000	μF
C43	5,6	μF
C44	10000	μF
C45	39	μF
C46	110	μF
C47	110	μF
C48	10000	μF
C49	55	μF
C50	330	μF
C51	330	μF
C52	1500	μF
C53	5	μF
C54	5000	μF
C55	33	μF
C56	27000	μF
C57	5000	μF
C58	15000	μF
C59	100	μF
C60	10000	μF
C61	25000	μF
C62	5000	μF
C63	8,2	μF
C64	22	μF
C65	50	μF
C66	300	μF

S	12, 17, 20, 21, 22, 23, 24, 25	26, 27, 28, 29, 30	31, 32, 33, 34	35
C	65, 66, 31, 33, 35, 34, 13, 37, 39, 41, 38, 40, 64, 71, 36, 81, 67, 43, 44, 46, 48, 47, 9, 45, 51, 50, 53, 23, 49, 57, 56, 55, 61, 54			62, 72, C
R	1, 3, 5, 4, 13, 16, 14, 15, 36, 17, 18	19	20, 22, 21	25, 33, 24, 34, 26, 33, 31, 30, 28, 27, 28, 32, 27, R

BOLGEMISKEMTER: STILLING F.M. OMRÅDER: F.M. - M.B. - L.B. 1. ORAMKOFON.



**MODSTÅRNE**

R1	1000	ohm
R2	160	ohm
R3	280	ohm
R4	220	ohm
R5	240	ohm
R6	50	ohm
R7	1500	ohm
R8	39	ohm
R9	18	ohm
R10	0,1	μF
R11	10000	μF
R12	56	μF
R13	47000	μF
R14	8,2	μF
R15	22	μF
R16	50	μF
R17	300	μF
R18	220	ohm
R19	1	Mohm
R20	47000	ohm
R21	220	ohm
R22	1,5	Mohm
R23	15000	ohm
R24	35000	ohm
R25	0,33	Mohm
R26	47000	ohm
R27	0,68	Mohm
R28	68000	ohm
R29	1,8	Mohm
R30	0,2	Mohm
R31	4,7	Mohm
R32	0,22	Mohm
R33	0,56	Mohm
R34	0,27	Mohm
R35	180	ohm
R36	1800	ohm
R37	0,1	Mohm
R38	0,22	Mohm