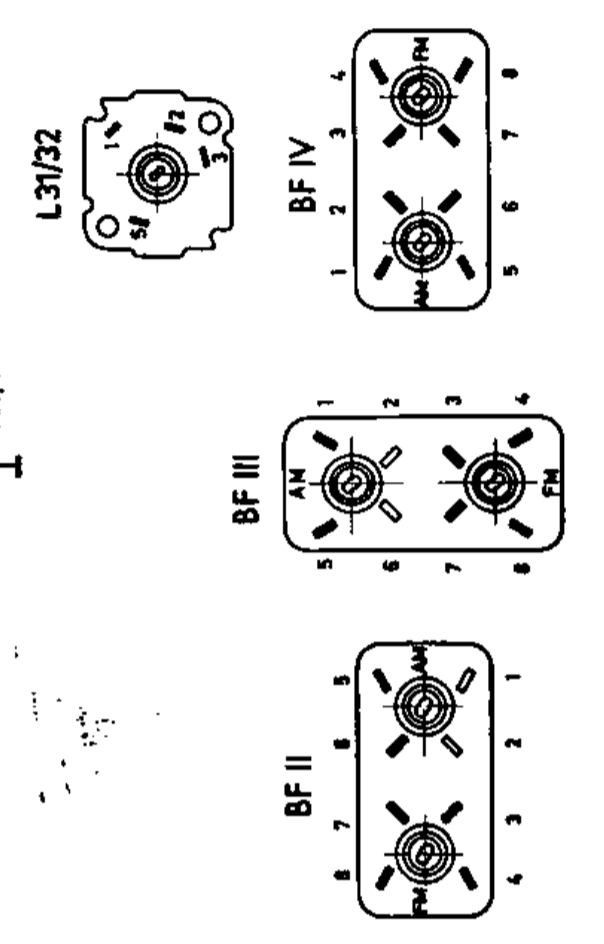
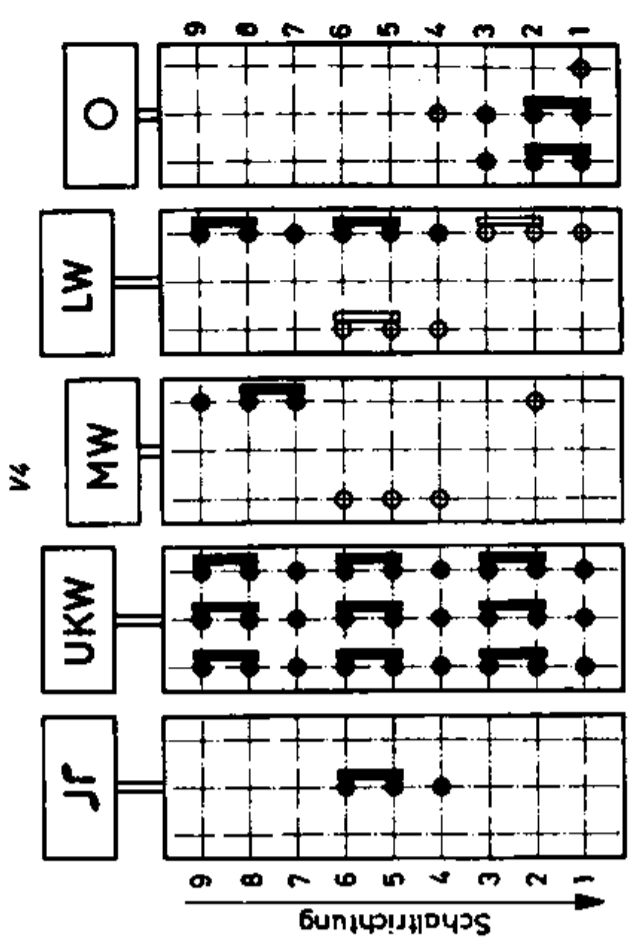
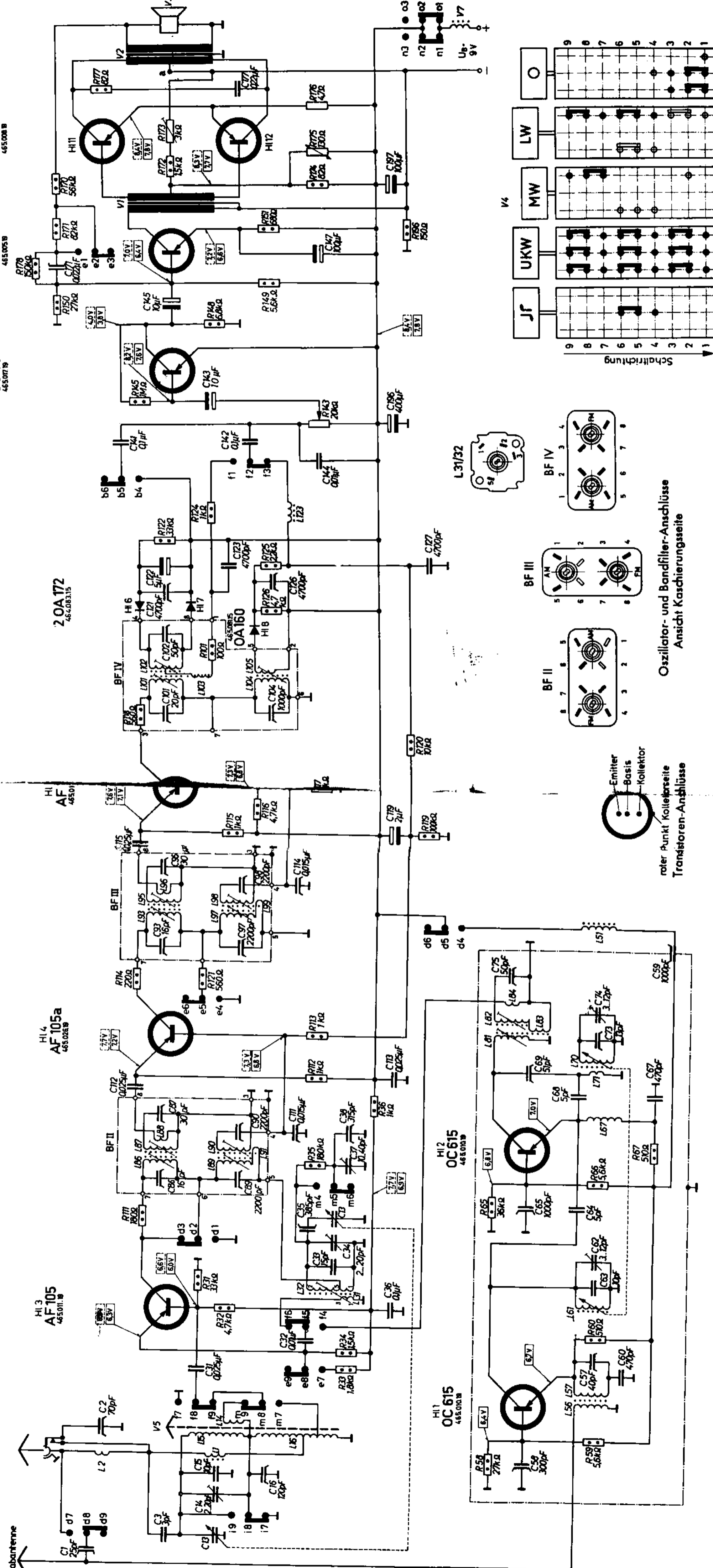
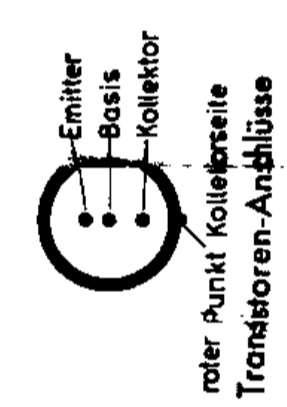


Konstruktionsänderungen vorbehalten!



Oszillator- und Bandfilter-Anschlüsse
Ansicht Kaschierungsseite



roter Punkt Kollektorseite
Transistoren-Anschlüsse

Subantenne

C1 25pF

d7

d8

d9

C2 70pF

L2

C3 3pF

C4 20pF

C5 20pF

C6 20pF

C7 20pF

C8 20pF

C9 20pF

C10 20pF

C11 20pF

C12 20pF

C13 20pF

C14 20pF

C15 20pF

C16 20pF

C17 20pF

C18 20pF

C19 20pF

C20 20pF

C21 20pF

C22 20pF

C23 20pF

C24 20pF

C25 20pF

C26 20pF

C27 20pF

C28 20pF

C29 20pF

C30 20pF

C31 20pF

C32 20pF

C33 20pF

C34 20pF

C35 20pF

C36 20pF

C37 20pF

C38 20pF

C39 20pF

C40 20pF

C41 20pF

C42 20pF

C43 20pF

C44 20pF

C45 20pF

C46 20pF

C47 20pF

C48 20pF

C49 20pF

C50 20pF

C51 20pF

C52 20pF

C53 20pF

C54 20pF

C55 20pF

C56 20pF

C57 20pF

C58 20pF

C59 20pF

C60 20pF

C61 20pF

C62 20pF

C63 20pF

C64 20pF

C65 20pF

C66 20pF

C67 20pF

C68 20pF

C69 20pF

C70 20pF

C71 20pF

C72 20pF

C73 20pF

C74 20pF

C75 20pF

C76 20pF

C77 20pF

C78 20pF

C79 20pF

C80 20pF

C81 20pF

C82 20pF

C83 20pF

C84 20pF

C85 20pF

C86 20pF

C87 20pF

C88 20pF

C89 20pF

C90 20pF

C91 20pF

C92 20pF

C93 20pF

C94 20pF

C95 20pF

C96 20pF

C97 20pF

C98 20pF

C99 20pF

C100 20pF

C101 20pF

C102 20pF

C103 20pF

C104 20pF

C105 20pF

C106 20pF

C107 20pF

C108 20pF

C109 20pF

C110 20pF

C111 20pF

C112 20pF

C113 20pF

C114 20pF

C115 20pF

C116 20pF

C117 20pF

C118 20pF

C119 20pF

C120 20pF

C121 20pF

C122 20pF

C123 20pF

C124 20pF

C125 20pF

C126 20pF

C127 20pF

C128 20pF

C129 20pF

C130 20pF

C131 20pF

C132 20pF

C133 20pF

C134 20pF

C135 20pF

C136 20pF

C137 20pF

C138 20pF

C139 20pF

C140 20pF

C141 20pF

C142 20pF

C143 20pF

C144 20pF

C145 20pF

C146 20pF

C147 20pF

C148 20pF

C149 20pF

C150 20pF

C151 20pF

C152 20pF

C153 20pF

C154 20pF

C155 20pF

C156 20pF

C157 20pF

C158 20pF

C159 20pF

C160 20pF

C161 20pF

C162 20pF

C163 20pF

C164 20pF

C165 20pF

C166 20pF

C167 20pF

C168 20pF

C169 20pF

C170 20pF

C171 20pF

C172 20pF

C173 20pF

C174 20pF

C175 20pF

C176 20pF

C177 20pF

C178 20pF

C179 20pF

C180 20pF

C181 20pF

C182 20pF

C183 20pF

C184 20pF

C185 20pF

C186 20pF

C187 20pF

C188 20pF

C189 20pF

C190 20pF

C191 20pF

C192 20pF

C193 20pF

C194 20pF

C195 20pF

C196 20pF

C197 20pF

C198 20pF

C199 20pF

C200 20pF

C201 20pF

C202 20pF

C203 20pF

C204 20pF

C205 20pF

C206 20pF

C207 20pF

C208 20pF

C209 20pF

C210 20pF

C211 20pF

C212 20pF

C213 20pF

C214 20pF

C215 20pF

C216 20pF

C217 20pF

C218 20pF

C219 20pF

C220 20pF

C221 20pF

C222 20pF

C223 20pF

C224 20pF

C225 20pF

C226 20pF

C227 20pF

C228 20pF

C229 20pF

C230 20pF

C231 20pF

C232 20pF

C233 20pF

C234 20pF

C235 20pF

C236 20pF

C237 20pF

C238 20pF

C239 20pF

C240 20pF

C241 20pF

C242 20pF

C243 20pF

C244 20pF

C245 20pF

C246 20pF

C247 20pF

C248 20pF

C249 20pF

C250 20pF

C2