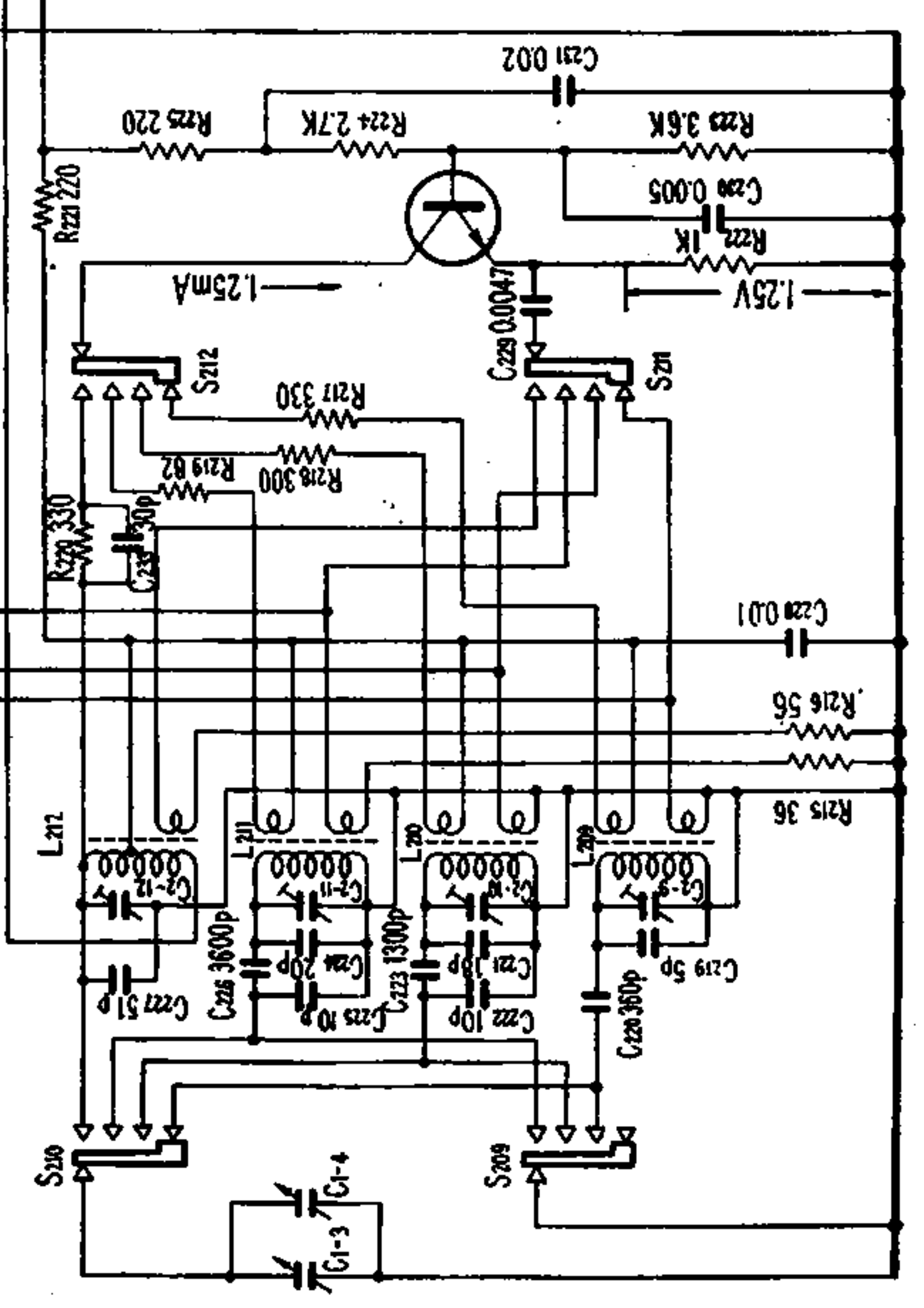
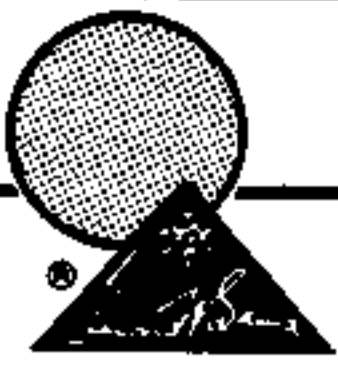


* To be adjusted
 Capacitors marked with Δ are built in relative IF Transformers.



X₂₀₁ 2SC403 X₂₀₂ 2SC403 X₃₀₁ 2SC404 X₃₀₂ 2SC404 X₃₀₃ 2SB378 X₄₀₁ 2SC402 X₄₀₂ 2SC401 X_{403,404} 2SB383 X 2

X₂₀₃ 2SC401



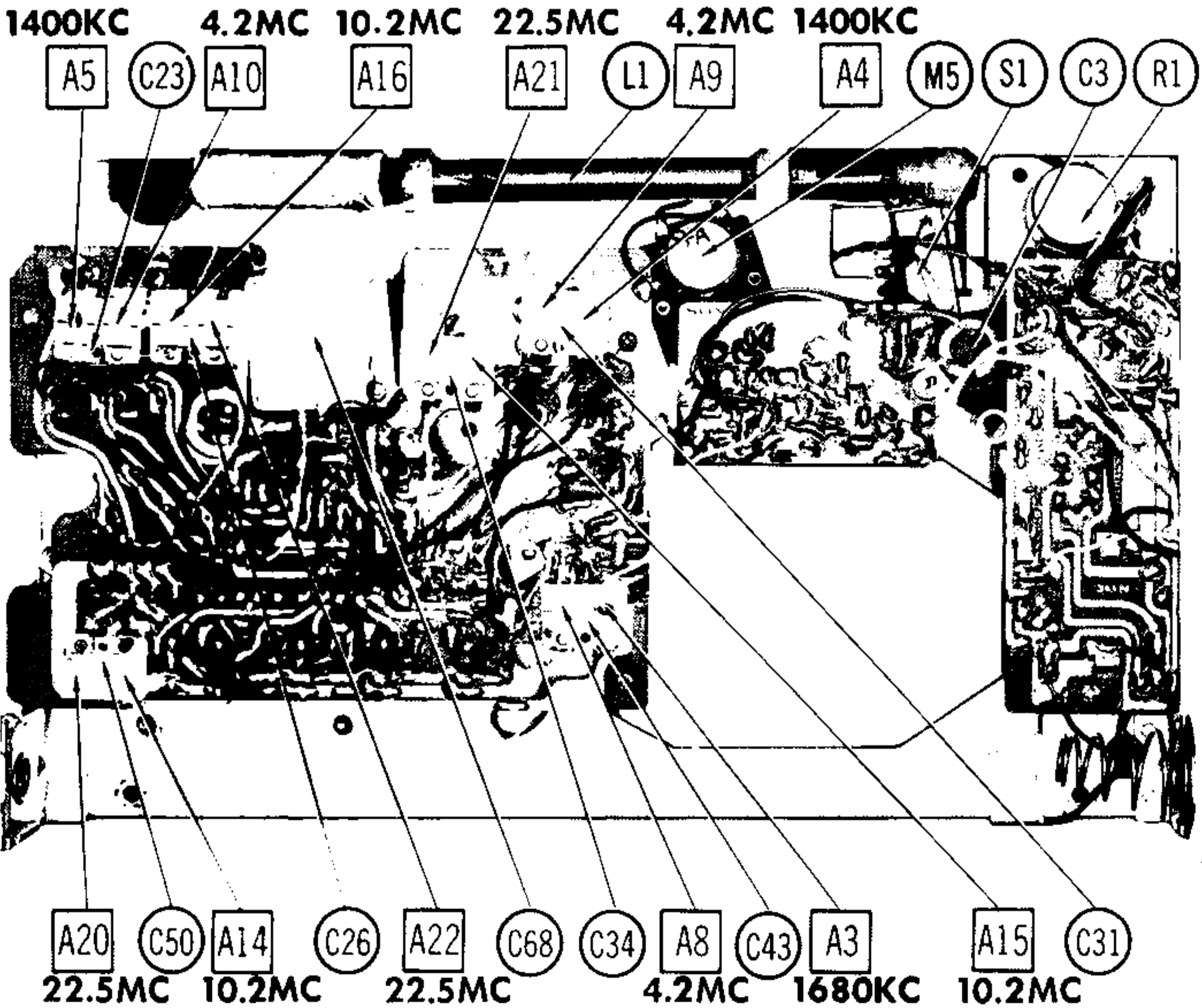
PHOTOFACT[®] with

CIRCUITRACE[®]

For Supplier Address See PHOTOFACT Index



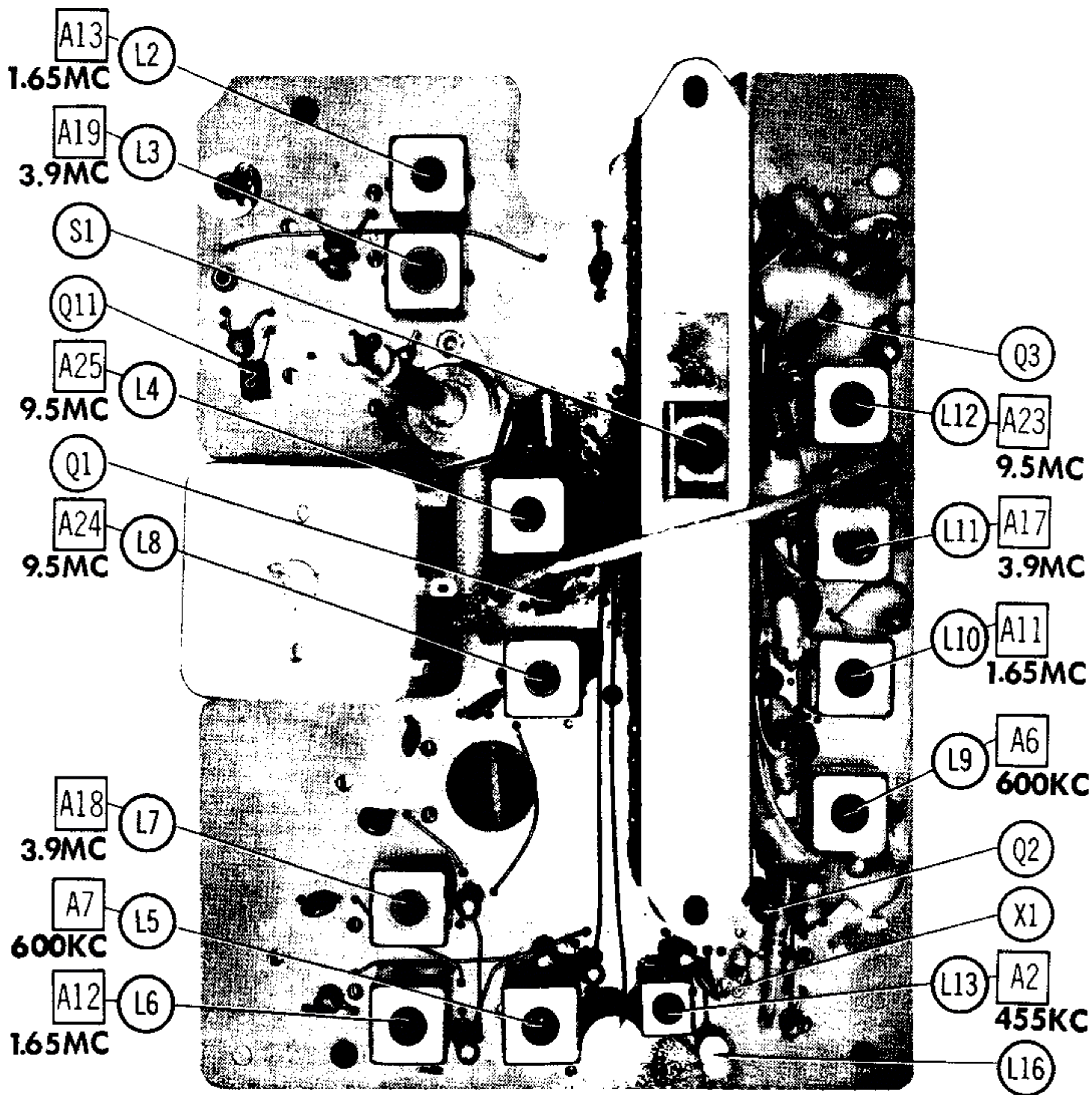
SONY MODEL TR-1000



SONY MODEL TR-1000

HOWARD W. SAMS & CO., INC. Indianapolis, Indiana 46206

© 1969 Howard W. Sams & Co., Inc. Printed in U. S. of America TF393



ALIGNMENT INSTRUCTIONS

Check for specified source voltage. Set volume control at maximum.
 Fashion loop of several turns of wire and connect generator across loop.
 Use only enough generator output to obtain a suitable indication.

Suggested Alignment Tools:

A1,A2,A6,A7,A11,A12,A13,A17,A18,A19,A23,A24,A25...	GENERAL CEMENT #8276,8277,8290 WALSCO #2512, 2515, 2525
A3,A4,A5,A8,A9,A10,A14,A15,A16,A20,A21,A22.....	GENERAL CEMENT #8605 WALSCO #2505

SELECTOR IN MW

#	GENERATOR FREQUENCY	RADIO DIAL SETTING	INDICATOR	ADJUST	REMARKS
1.	455KC 400 cycle modulation	Tuning gang fully open.	Output Meter across voice coil.	A1,A2	Adjust for maximum. Repeat until no further improvement can be made.
2.	1680KC	"	"	A3	Adjust for maximum.
3.	1400KC	Tune to signal	"	A4,A5	"
4.	600KC	"	"	A6,A7	Rock tuning gang and adjust for maximum. Repeat steps 2 thru 4 until no further improvement can be made.

SELECTOR IN SW1

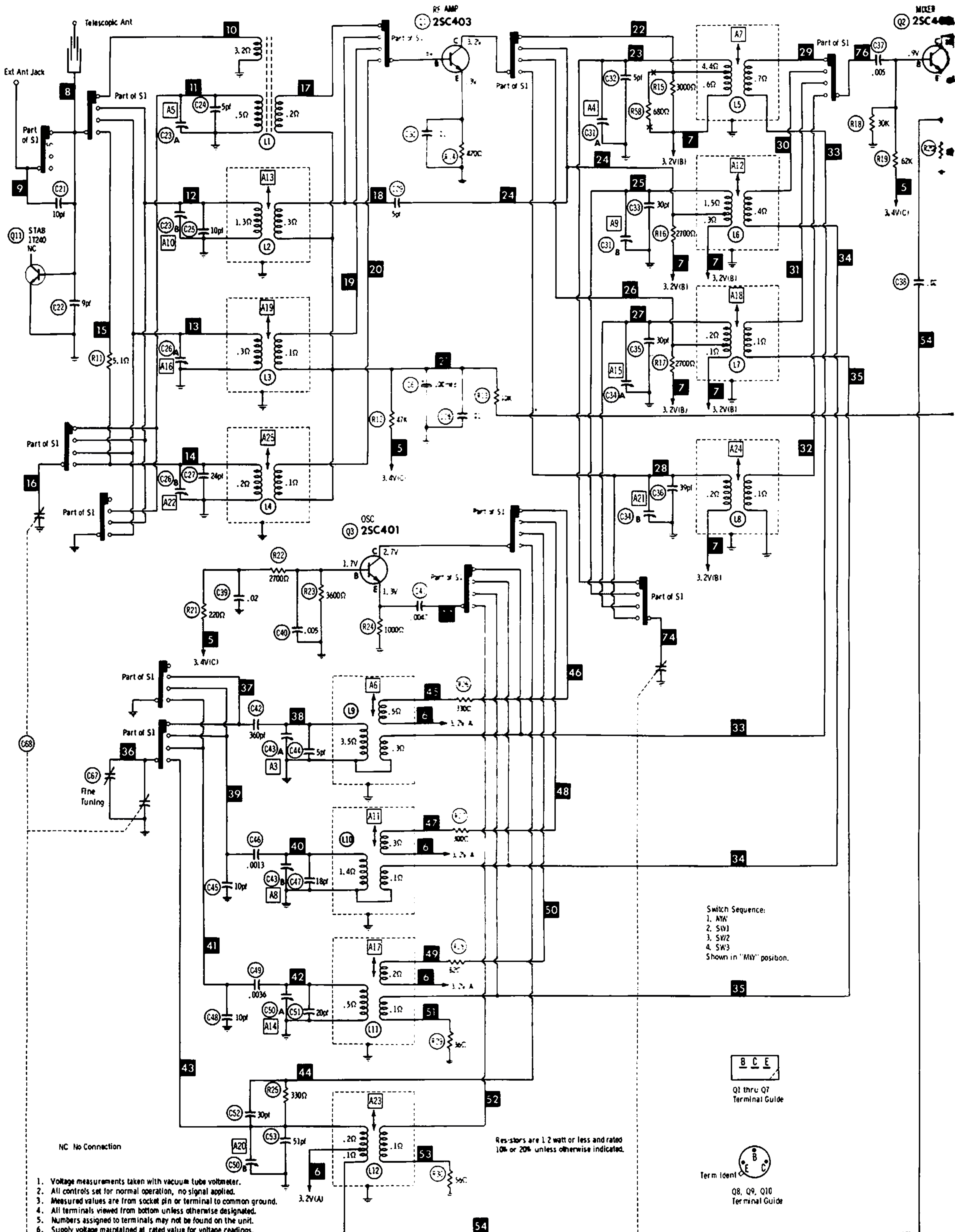
5.	4.2MC	4.2MC	Output Meter across voice coil.	A8,A9, A10	Adjust for maximum.
6.	1.65MC	1.65MC	"	A11,A12, A13	Adjust for maximum. Repeat steps 5 & 6.

SELECTOR IN SW2

7.	10.2MC	10.2MC	"	A14,A15, A16	Adjust for maximum.
8.	3.9MC	3.9MC	"	A17,A18, A19	Adjust for maximum. Repeat steps 7 & 8.

SELECTOR IN SW3

9.	22.5MC	22.5MC	"	A20,A21, A22	Adjust for maximum.
10.	9.5MC	9.5MC	"	A23,A24, A25	Adjust for maximum. Repeat steps 9 & 10.

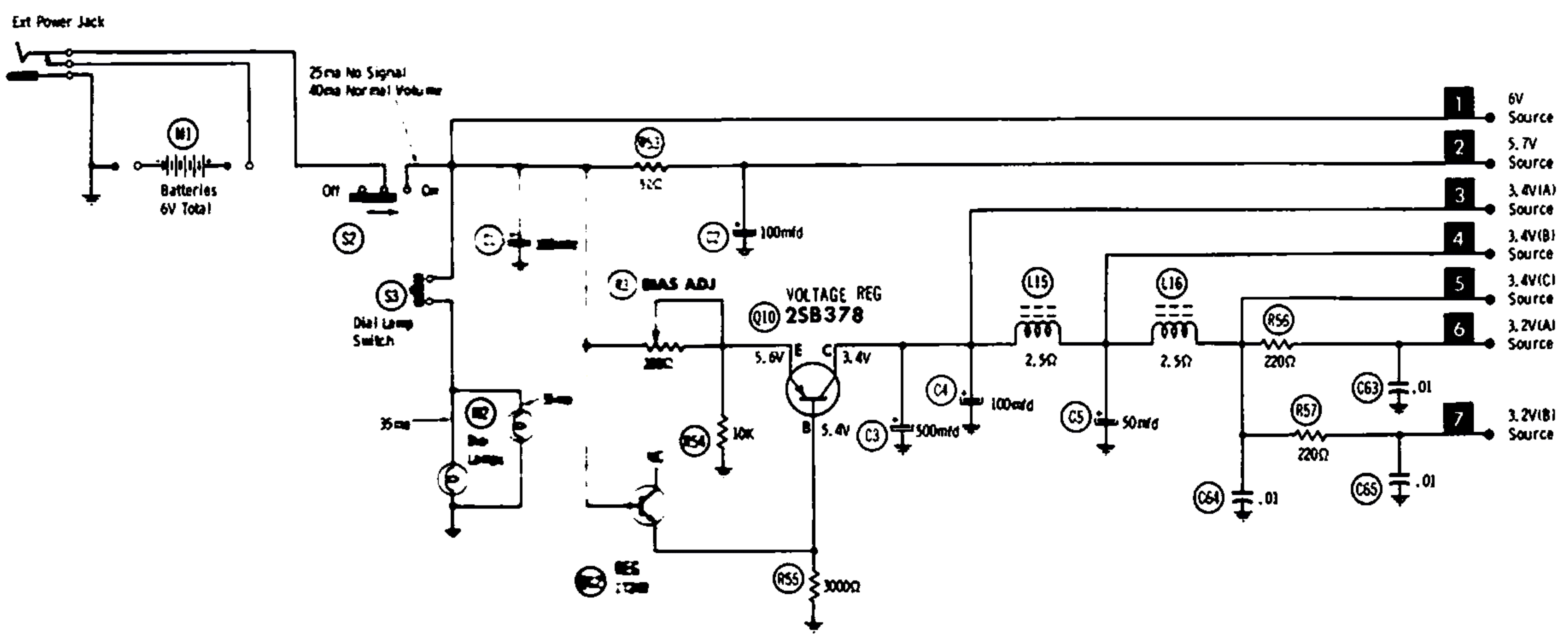
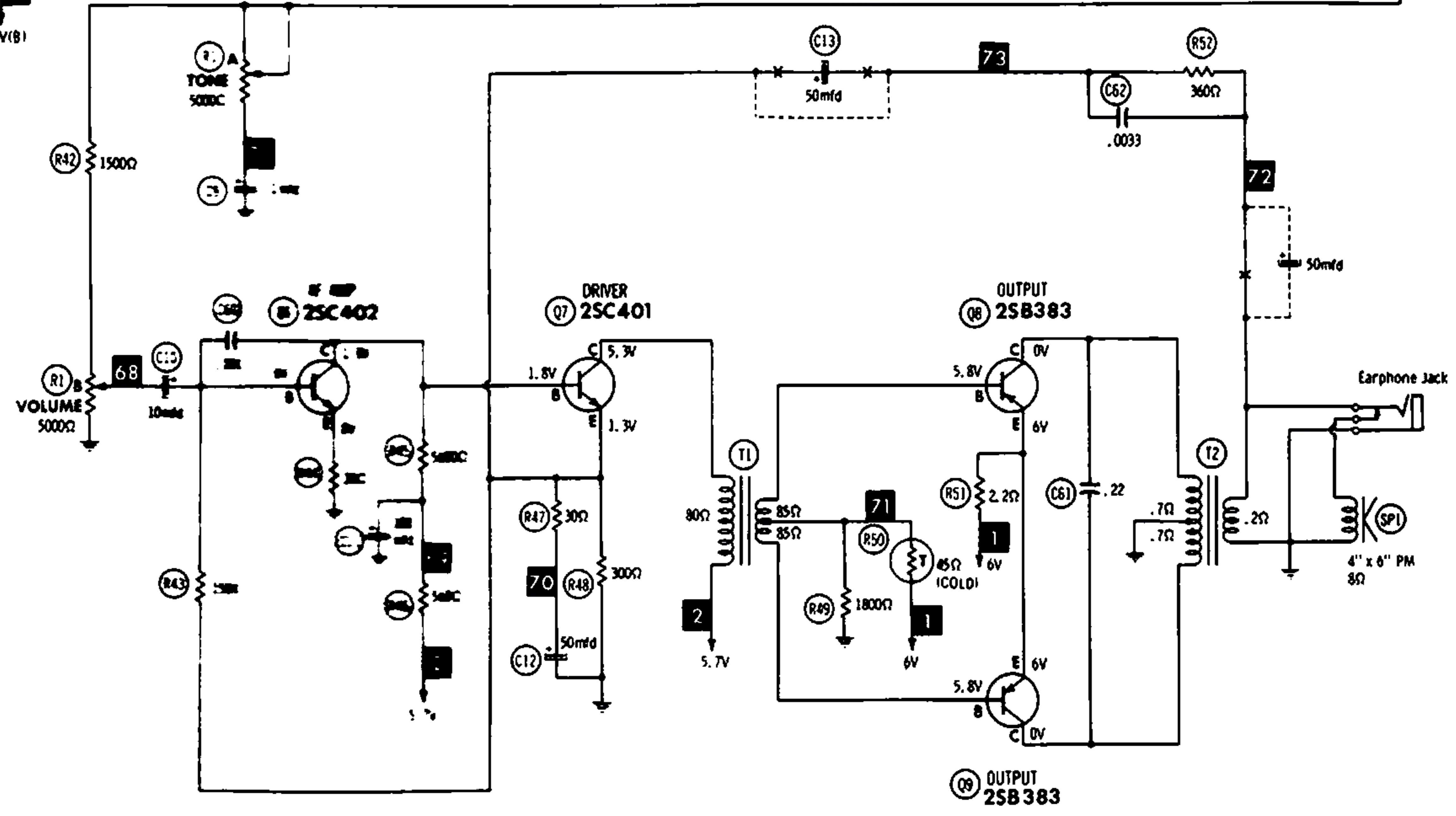
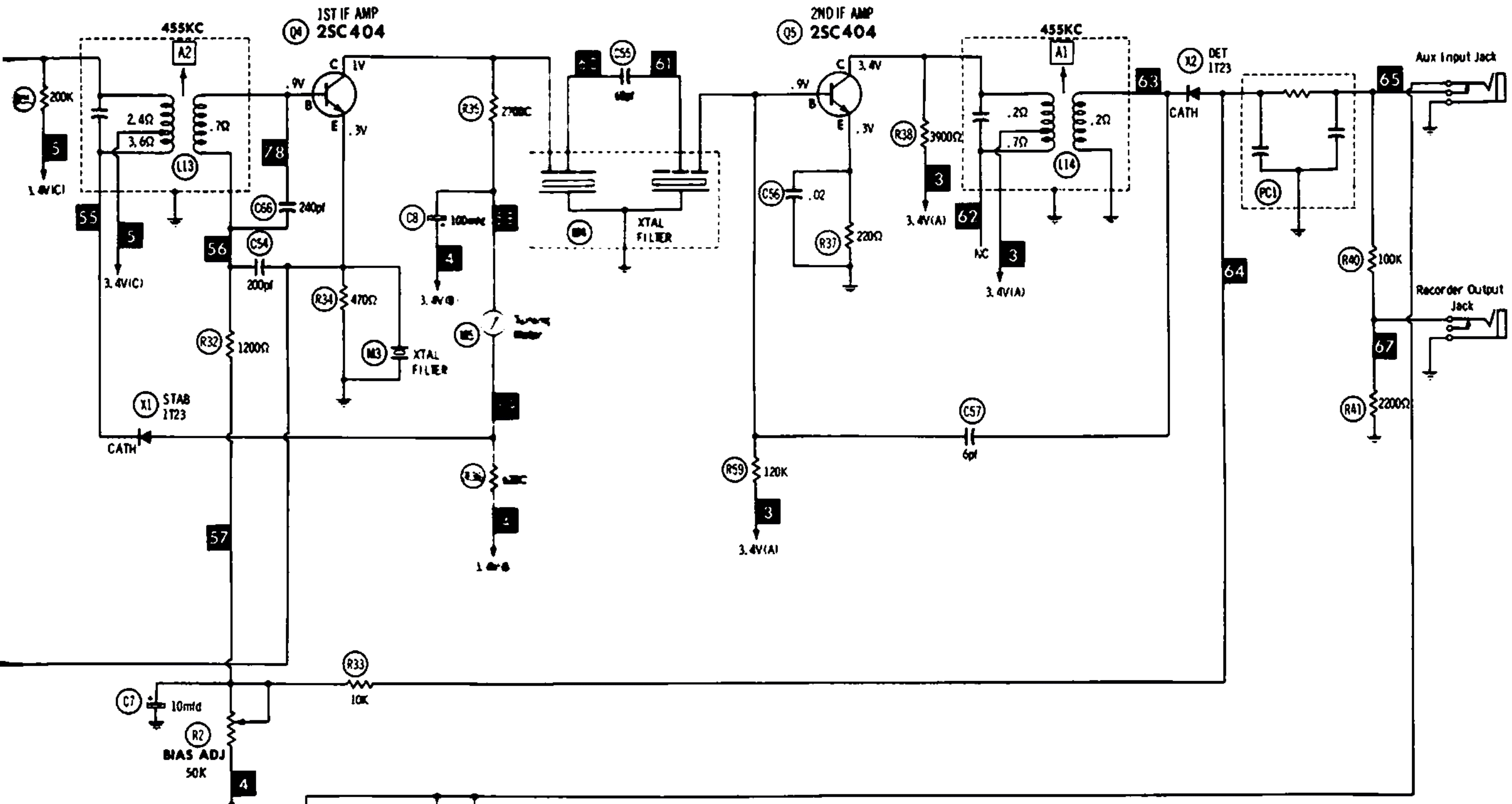


1. Voltage measurements taken with vacuum tube voltmeter.
2. All controls set for normal operation, no signal applied.
3. Measured values are from socket pin or terminal to common ground.
4. All terminals viewed from bottom unless otherwise designated.
5. Numbers assigned to terminals may not be found on the unit.
6. Supply voltage maintained at rated value for voltage readings.
7. Resistance measurements not given because of the wide variation in internal resistance of transistor.

Switch Sequence:
 1. MW
 2. SW1
 3. SW2
 4. SW3
 Shown in "MW" position.

B C E
 Q1 thru Q7
 Terminal Guide

B C E
 Q8, Q9, Q10
 Terminal Guide



SONY MODEL TR-1000