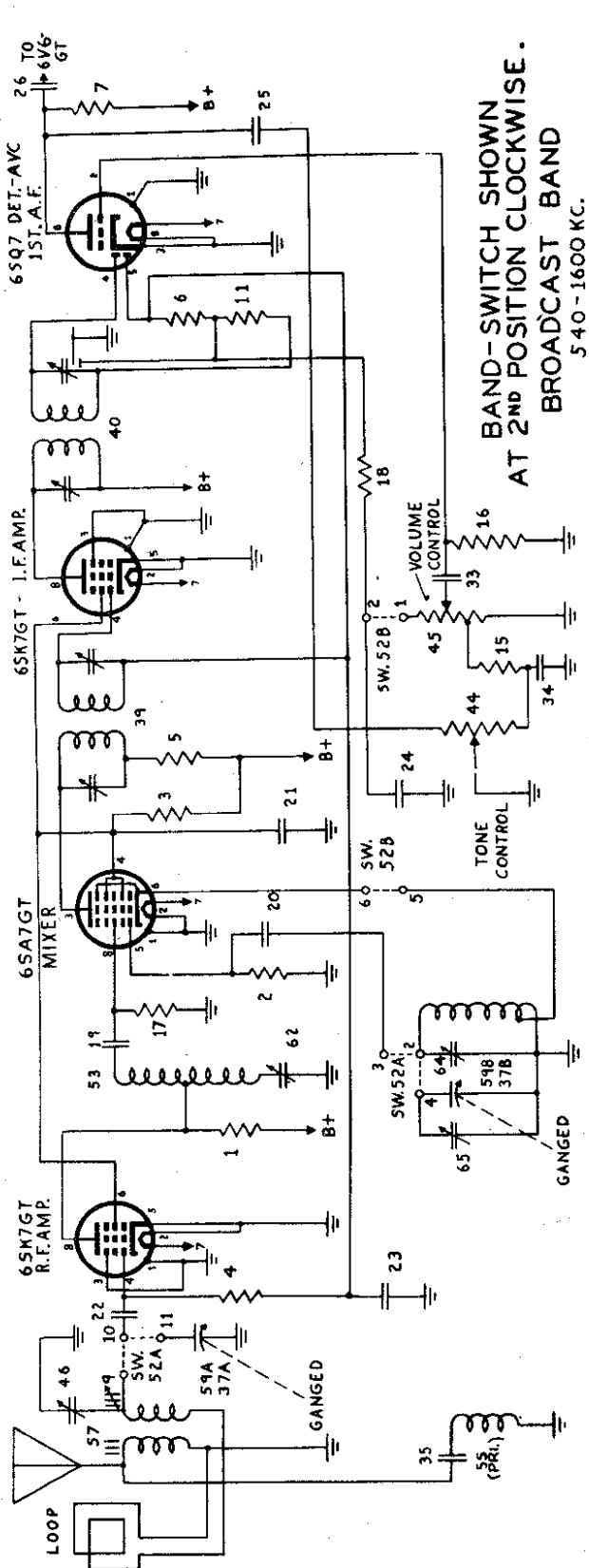


# "clarified schematics"

PAGE 15-18 CROSLLEY

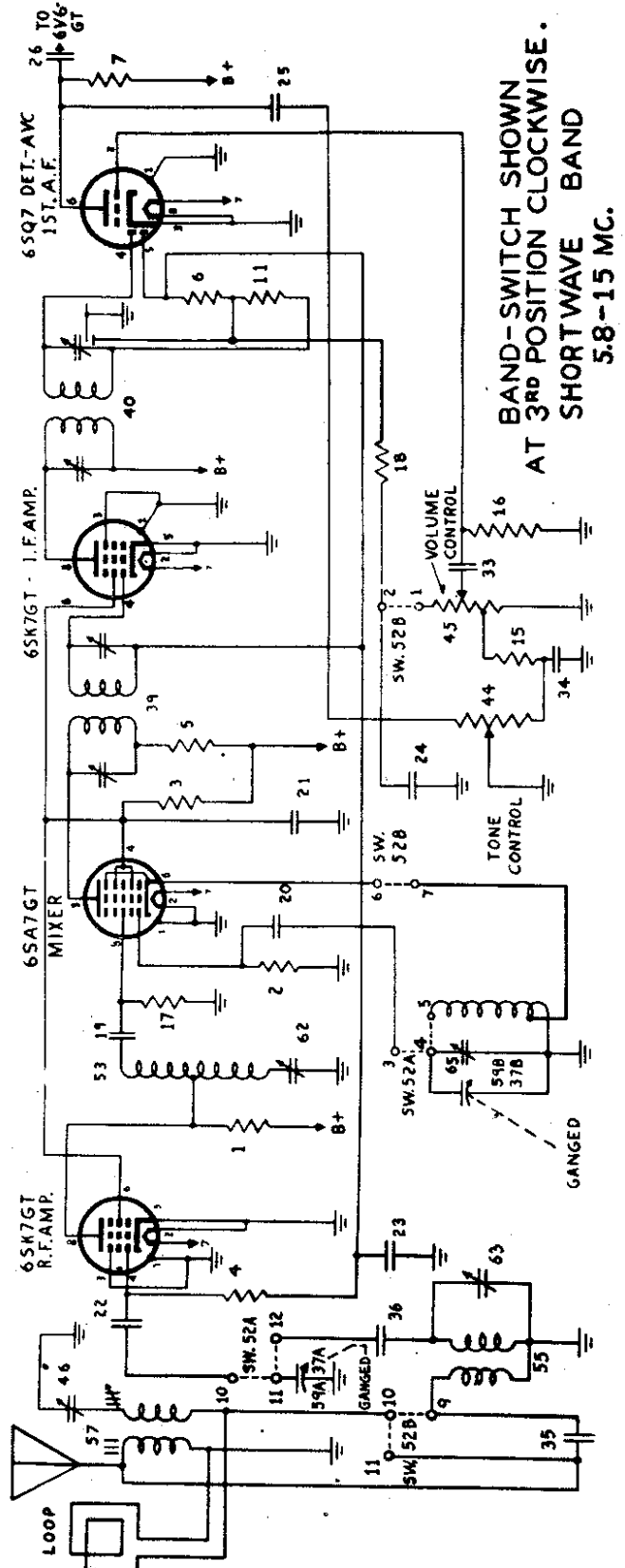
MODELS 66CA, 66CP, 66CQ  
MODELS 66TA, 66TC, 66TW

THE CROSLLEY CORP.



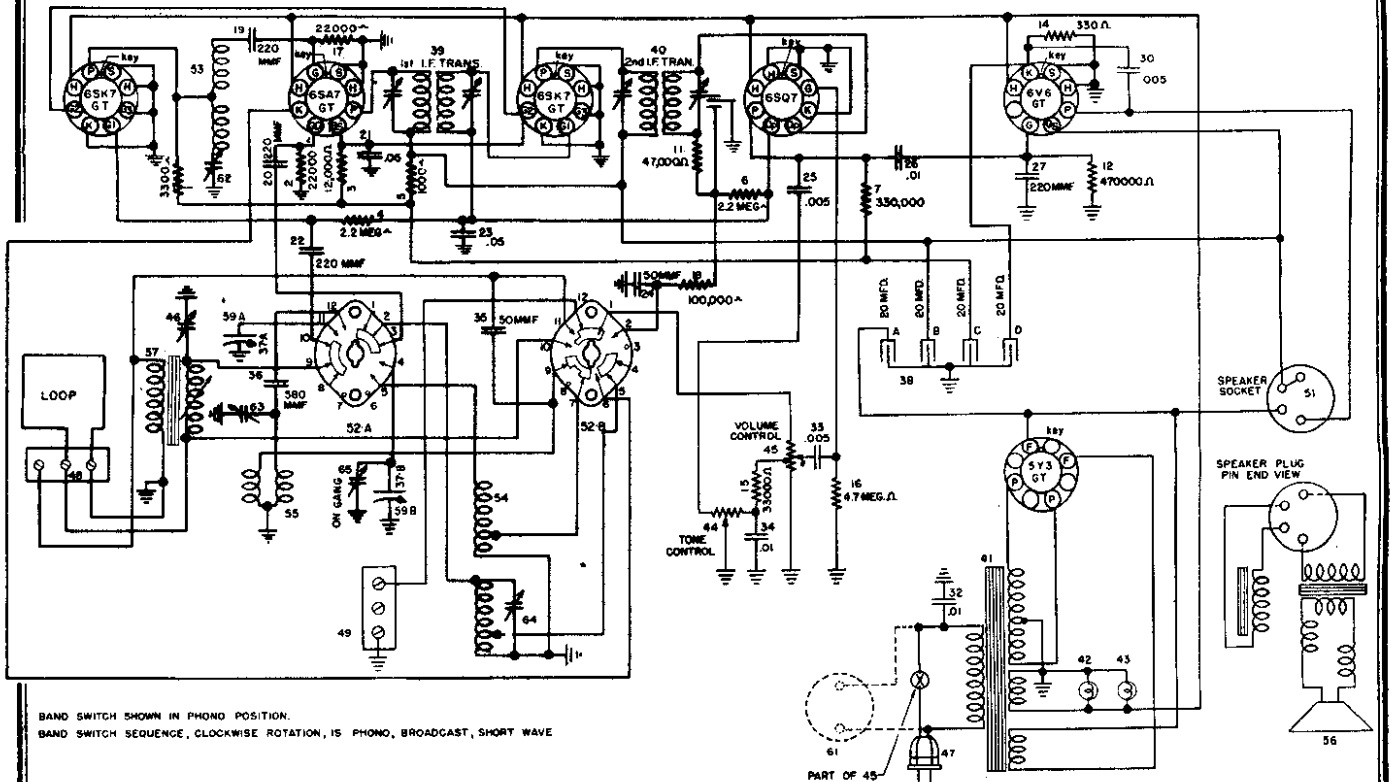
BAND-SWITCH SHOWN  
AT 2<sup>ND</sup> POSITION CLOCKWISE.  
BROADCAST BAND  
540-1600 KC.

NOTE: 1ST. POSITION (PHONO.) DRAWING NOT SHOWN



BAND-SWITCH SHOWN  
AT 3<sup>RD</sup> POSITION CLOCKWISE.  
SHORTWAVE BAND  
5.8-15 MC.

THE CROSLY CORP.

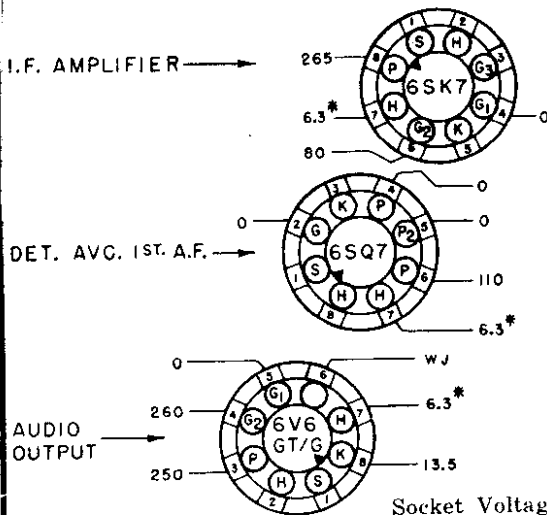


BAND SWITCH SHOWN IN PHONO POSITION.  
BAND SWITCH SEQUENCE, CLOCKWISE ROTATION, IS PHONO, BROADCAST, SHORT WAVE

**FREQUENCY RANGE:** American Broadcast Band: 540 to 1600 kc. (Selector switch at A.)  
Overseas Short-wave Band: 5.8 to 15 mc. (Selector switch at 0.)  
**INTERMEDIATE FREQUENCY:** 455 kc.  
**POWER SUPPLY:** 60 cycle a.c. only.  
**VOLTAGE RATING:** 110-120 volts.

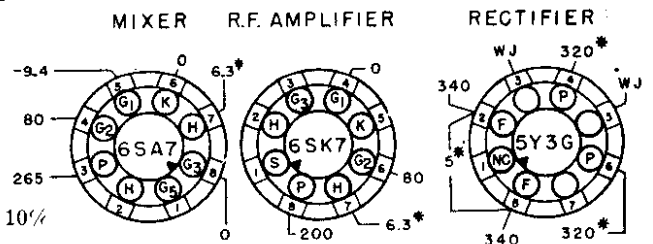
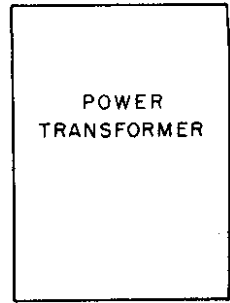
**POWER CONSUMPTION:** 60 watts maximum.  
**POWER OUTPUT:** 4.5 watts minimum.  
**VOLTAGE DROP ACROSS SPEAKER FIELD:** 76 volts.  
**RESISTANCE OF SPEAKER FIELD:** 900 ohms.  
**DIAL BULB:** Type 51, 7.5 volts, 0.2 amp.

September, 1945



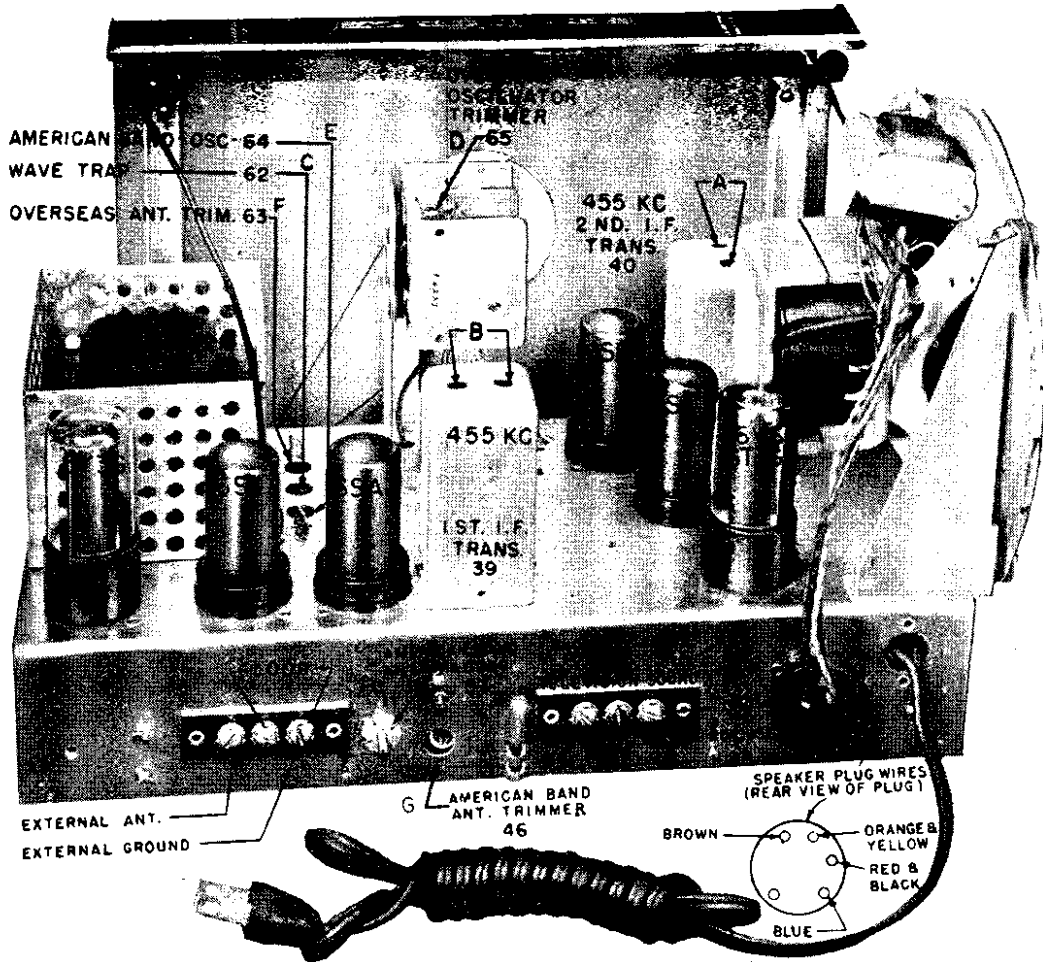
Socket Voltage Tolerance: 10%

- NOTES :-
1. THESE ARE BOTTOM VIEWS OF SOCKETS.
  2. MEASURE VOLTAGES FROM SOCKET LUG TO CHASSIS.
  3. THESE VOLTAGES MEASURED USING AN ELECTRONIC VOLTMETER.
  4. WJ - WIRING JUNCTION.
  5. NC - NO CONNECTION.
  6. \* - 60 CYCLE AC VOLTAGE.



MODELS 66TA, 66TC, 66TW

THE CROSLLEY CORP.



CHASSIS, REAR VIEW - MODELS 66TA, 66TW, 66TC

Alignment Sequence	Signal Generator Output			Position of		Adjust for Maximum Output
	Frequency in kc.	In Series with	To	Band Switch	Tuning Dial	
1	455	200 mmf	Ant.	A	1620	A & B
2	455	200 mmf.	Ant.	A	1620	C*
3	15,300	400 ohms	Ant.	O	15,300	D
4	15,000	400 ohms	Ant.	O	15,000	E
5	1620	200 mmf	Ant.	A	1620	F
6	1400	200 mmf	Ant.	A	1400	G
7	600	200 mmf	Ant.	A	600	H

\*Adjust for minimum output (wavetrap).

**NOTE:** When aligning the short-wave oscillator trimmer (D), be sure that the circuit is aligned at the correct frequency and not at the image frequency which is 910 kilocycles lower as indicated by the receiver dial. To check: Tune in the generator frequency, then increase the generator output and tune in the image frequency. The image frequency should be weaker than the fundamental and audible 910 kilocycles lower on the receiver dial. If the image cannot be tuned in, the oscillator trimmer is adjusted to the wrong peak; i.e., the oscillator trimmer may be adjusted to the image or one of the harmonics instead of the fundamental frequency. The correct peak is the second one heard as the trimmer adjustment screw is opened from the completely closed position.

