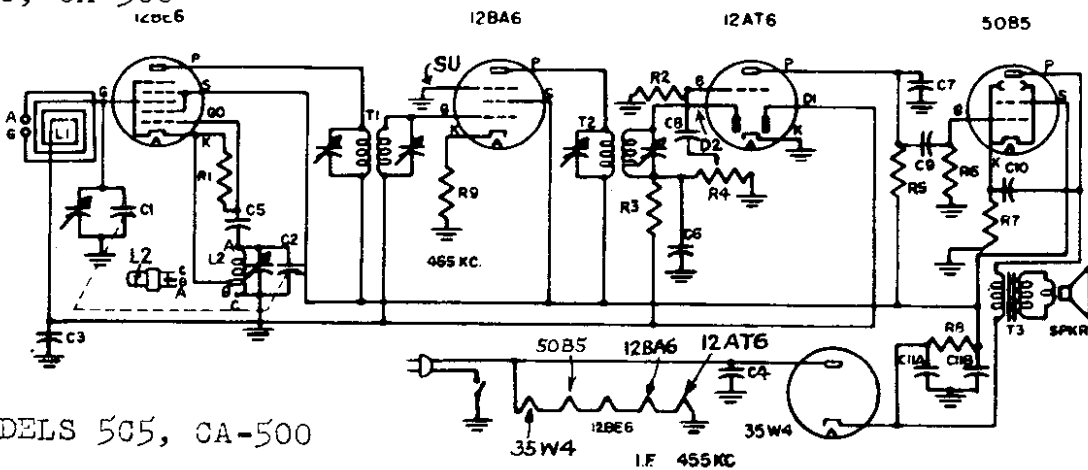


MODELS 505,
5D7-W18, CA-500
12OC6

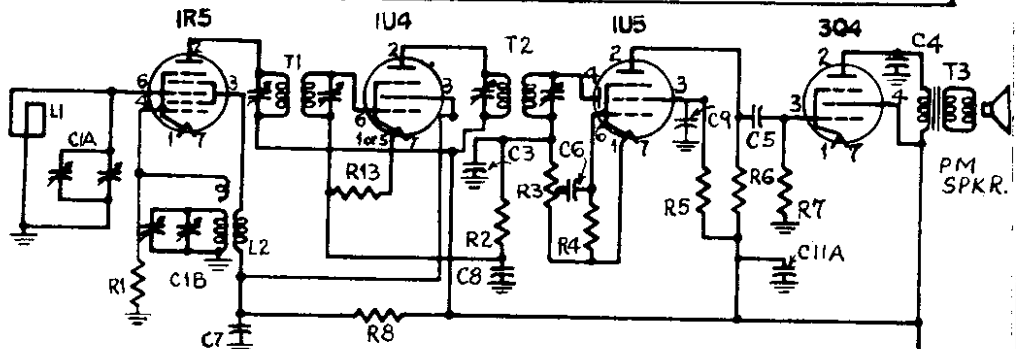
JOHN MECK IND., INC.



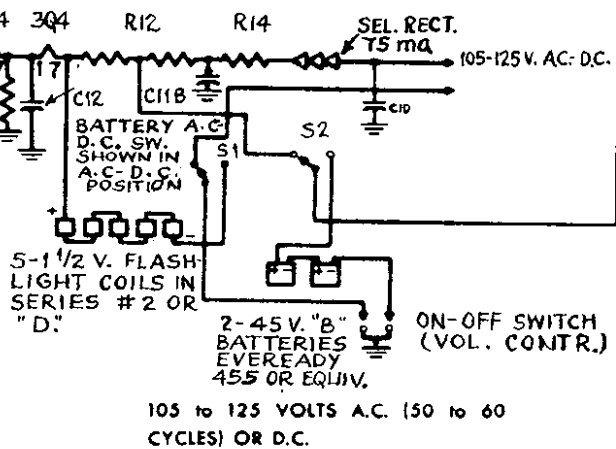
MODELS 505, CA-500

PART NO.	CIRC. SYM.	DESCRIPTION	PART NO.	CIRC. SYM.	DESCRIPTION
CV-10002-E	C1, C2	Condenser - Variable Tuning with Drum	RC-32503	R5	Resistor-Carbon 250,000 Ohms 1/2 watt
CP-14503	C3, C4	Condenser - .05 Mfd. 400 Volt	RC-35003	R6	Resistor-Carbon 500,000 Ohms 1/2 watt
CM-15500	C5	Condenser - .00005 Mfd. Mica	RC-31500	R7	Resistor-Carbon 150 Ohms 1/2 watt
CM-15251	C6, C7	Condenser - .00025 Mfd. Mica	RC-32000	R8	Resistor-Carbon 200 Ohms 1/2 watt
CP-14103	C8, C9	Condenser - .01 Mfd. 400 Volt	RC-31500	R9	Resistor-Carbon 150 Ohms 1/2 watt
CP-14503	C10	Condenser - .05 Mfd. 400 Volt	AL-10004	L1	Loop Antenna
CL-10001	C11A, C11B	Condenser - 20/20 Mfd. 150 Volt Elect.	TRC-10000-D	L2	Coil Oscillator
RC-32002	R1	Resistor-Carbon 20,000 ohms 1/2 watt	TS-10000	T1	Transformer 1st. I.F.
RC-31005	R2	Resistor-Carbon 10 Meg. 1/2 watt	TS-10001	T2	Transformer 2nd. I.F.
RC-32004	R3	Resistor-Carbon 2 Meg. 1/2 watt	TO-10000	T3	Transformer-Output for speaker
VC-10105	R4	Volume Control - 1 Meg. (with switch)	SR-10000	SPKR	Speaker, 4" P.M.

MODEL 5D7-W18



Circuit Sym	Part No.	Description
R1	RC-11003	RESISTOR CARBON 100,000 OHM 1/4 W
R2, 7, 13	RC-32204	" " 2.2 MEG. 1/4 W
R3	VC-21105	VOLUME CONTROL & SWITCH 1 MEG. D.P.S.Y.
R4	RC-11005	RESISTOR CARBON 10 MEG. 1/4 W
R5	RC-13304	" " 3.3 MEG. 1/4 W
R6	RC-11004	" " 1 MEG. 1/4 W
R8	RC-11002	" " 10,000 OHM 1/4 W
R9	RC-14700	" " 470 OHM 1/4 W
R12	RX-10004	" WW. 700-1800 10 W
R14	RC-30220	" CARBON 22 OHM 1/2 W
C1	CV-10008	CONDENSER VARIABLE
C3	CM-15251	" MICA 250 MFP 500 V
C4	CP-14502	" PAPER .025 MF 400 V
C5	CP-12502	" .005 MF 200 V
C7, 9	CP-12103	" .01 MF 200 V
C8	CP-12203	" .02 MF 200 V
C10	CP-14503	" .05 MF 400 V
C11	CL-10010	" ELECT. A-90 B-20 150 V
C12	CL-10009	" " 100 MF 25 V
L1	AL-10015	LOOP ANTENNA
L2	TRC-10015	OSCILLATOR COIL
S1, 2	VS-10005	SWITCH AC-DC BATTERY
T1	TS-10018A	I.F. TRANSFORMER INPUT
T2	TS-10019A	I.F. TRANSFORMER OUTPUT
T3	TO-10007	OUTPUT TRANSFORMER
SPKR.	SR-10000	SPEAKER 4" PM - ROUND
C6	CP-12202	CONDENSER PAPER .002 MF 200 V



Power Consumption 15 Watts

I.F. 455 KC