

GRUNDIG R

Repair Manual

3048 W/3D
3048 WE/3D
3048 WFE/3D
3050 WE/3D/Ph-TB
3050 WFE/3D-Ph

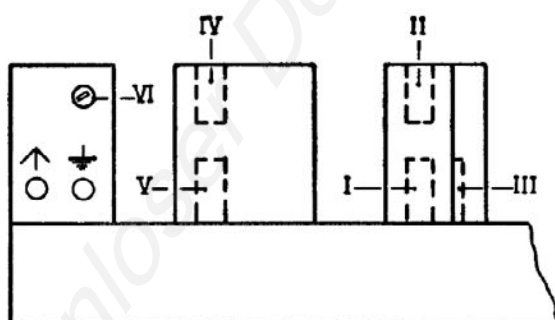
IF-Alignment 468 kc/s

Wave Range, Tuning Condenser setting	Coupling of Signal Generator	Alignment	Sensitivity	Remarks
SW I, turned in	G ₁ EF 89	I and II Maximum (F 7206 - 100) III Maximum (F 7206 - 101)	1 mV 900 μV	I + II are to be damped during alignment alternately with 10 k Ω + 1 nF in series. Damp I+II during alignment of III. IF-Selectivity: small : 1:320 Band-width, small: 2.5 kc large: 7...8 kc
	G ₁ ECH 81	IV and V Maximum (F 7207 - 100)	10 μV	
MW, turned in	to aerial	VI Minimum		Trap range: 1:40
MW 1 Mc/s	G ₁ ECH 81		12...16 μV	Mixing sensitivity

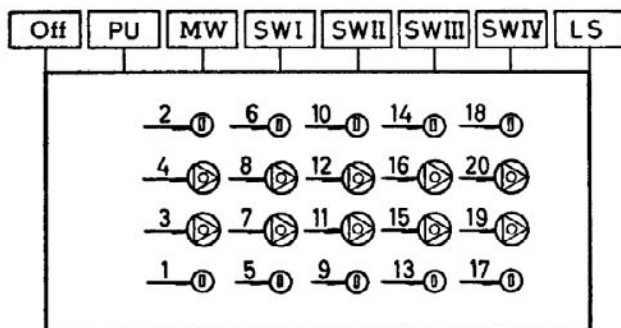
Oscillator and Precircuit Alignment.

Wave range, Frequency, Pointer setting	Oscillator	Precircuit	Oscillating current μA	Sensitivity μV	Image Suppression	Remarks	
MW	350 kc/s	1 Maximum	2 Maximum	310... 490	6...8	1:500... 1:800	fo > fe The aligning is to be done in such sequence that the aligning frequencies appear at the given positions on the dial. Repeat aligning a few times and end with trimmer.
	1500 kc/s	3 "	4 "				
SW I	2.5 Mc/s	5 "	6 "	310... 340	7...10	1:10... 1:30	
	5.5 Mc/s	7 "	8 "				
SW II	6.5 Mc/s	9 "	10 "	270... 350	8...10	1:8... 1:16	
	11 Mc/s	11 "	12 "				
SW III	12 Mc/s	13 "	14 inner Maximum	220... 230	11...12	1:6... 1:8	
	17 Mc/s	15 "	16 Maximum				
SW IV	18 Mc/s	17 "	18 inner Maximum	200... 280	15...17	1:4... 1:6	
	25 Mc/s	19 "	20 Maximum				

Hum: ca. 1.5 mV



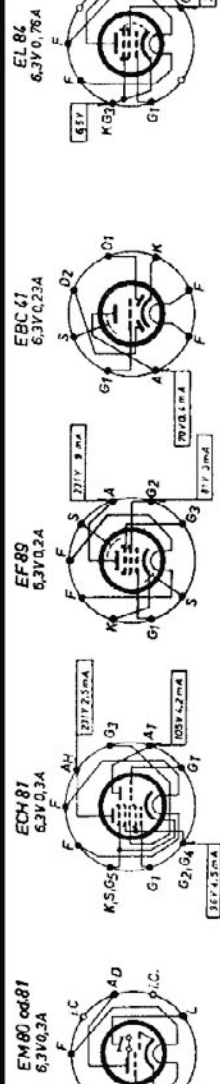
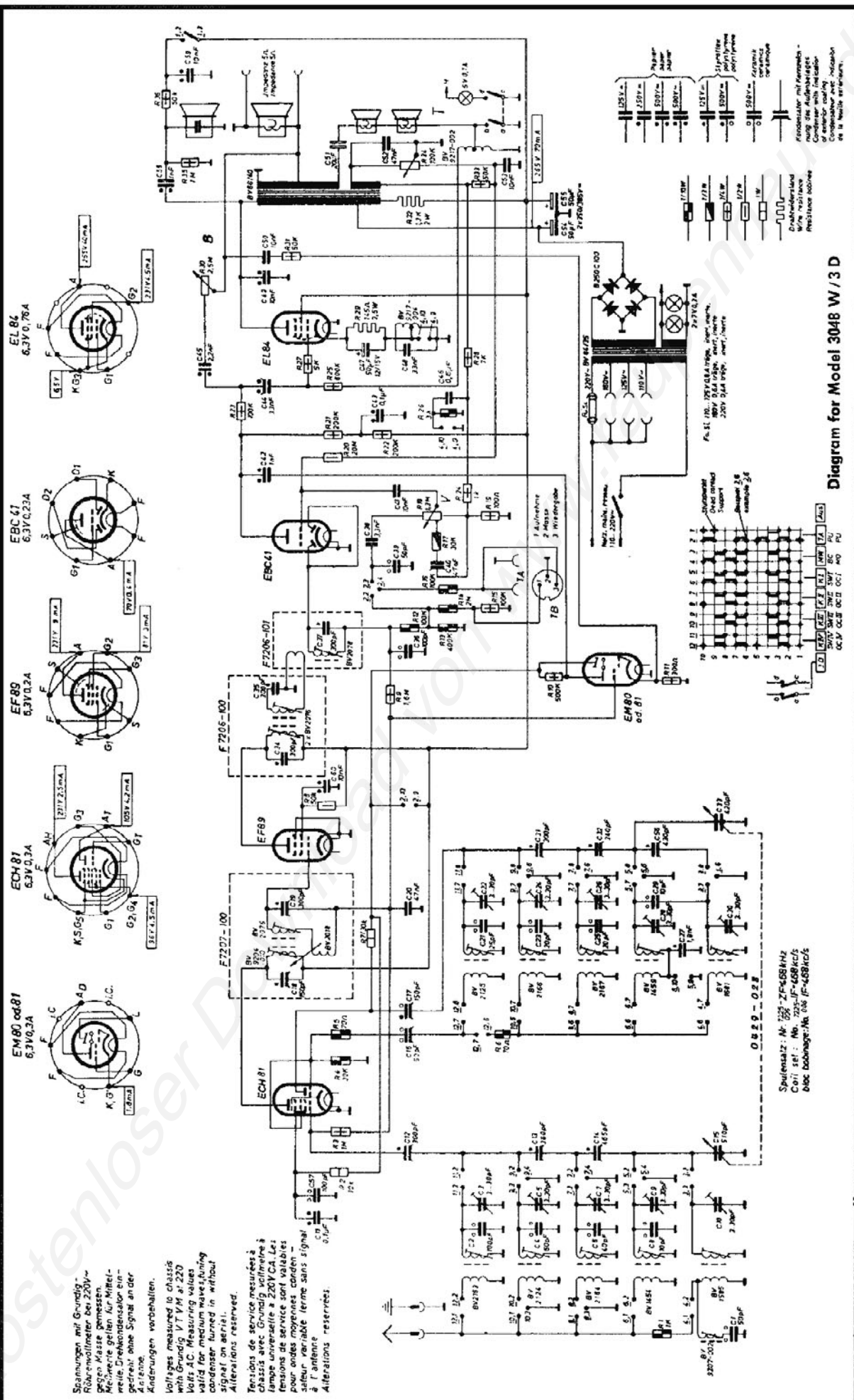
Chassis, back view



Coil Block, view from below

Variations:

- 3048 WE/3D : 6 press buttons, Diode connection socket 0810—054 for tape recorder
- 3048 W/3D : 8 press buttons, Diode connection socket 0810—054 for tape recorder
- 3048 WFE/3D : 8 press buttons, 3-pole socket 5784 for tape recorder and connection socket for Grundig "Baton"
- 3050 WE/3D Ph-TB : use Diagram of Radio set 3048 W/3D
- 3050 WFE/3D-Ph : use Diagram of Radio set 3048 WFE/3D



Spannungen mit Grundig-
Röhrevoltmeter bei 220V-
Gegen Masse gemessen.
Messwerte gelten nur Mittel-
werts Drehkondensator ein-
gestellt. Ohne Signal an der
Antenne vorbehalten.
Voltages measured to chassis
with Grundig V.T.V.M. at 220
Volts AC. Measuring values
valid for medium waves, tuning
condenser turned in without
signal on aerial.
Alterations reserved.

Tensions de service mesurées à
chassis avec Grundig voltmètre à
lampe universelle à 220V CA. Les
tensions de service sont valables
pour ondes moyennes, condensé
à l'antenne réglé sans signal
à l'antenne réservés.

Spezialatz: Nr. 225 ZF-K68kHz
Cath set: No. 225 ZF-K68kHz
Bloc bobinage: No. 006 IF-K68kHz

Diagram for Model 3048 W/3 D

1	2	3	4	5	6	7	8	9	10	11	12	13	14	15	16	17	18	19	20	21	22	23	24	25	26	27	28	29	30	31	32	33	34	35	36	37	38	39	40	41	42	43	44	45	46	47	48	49	50	51	52	53	54	55	56	57	58	59	60	61	62	63	64	65	66	67	68	69	70	71	72	73	74	75	76	77	78	79	80	81	82	83	84	85	86	87	88	89	90	91	92	93	94	95	96	97	98	99	100
---	---	---	---	---	---	---	---	---	----	----	----	----	----	----	----	----	----	----	----	----	----	----	----	----	----	----	----	----	----	----	----	----	----	----	----	----	----	----	----	----	----	----	----	----	----	----	----	----	----	----	----	----	----	----	----	----	----	----	----	----	----	----	----	----	----	----	----	----	----	----	----	----	----	----	----	----	----	----	----	----	----	----	----	----	----	----	----	----	----	----	----	----	----	----	----	----	----	----	-----