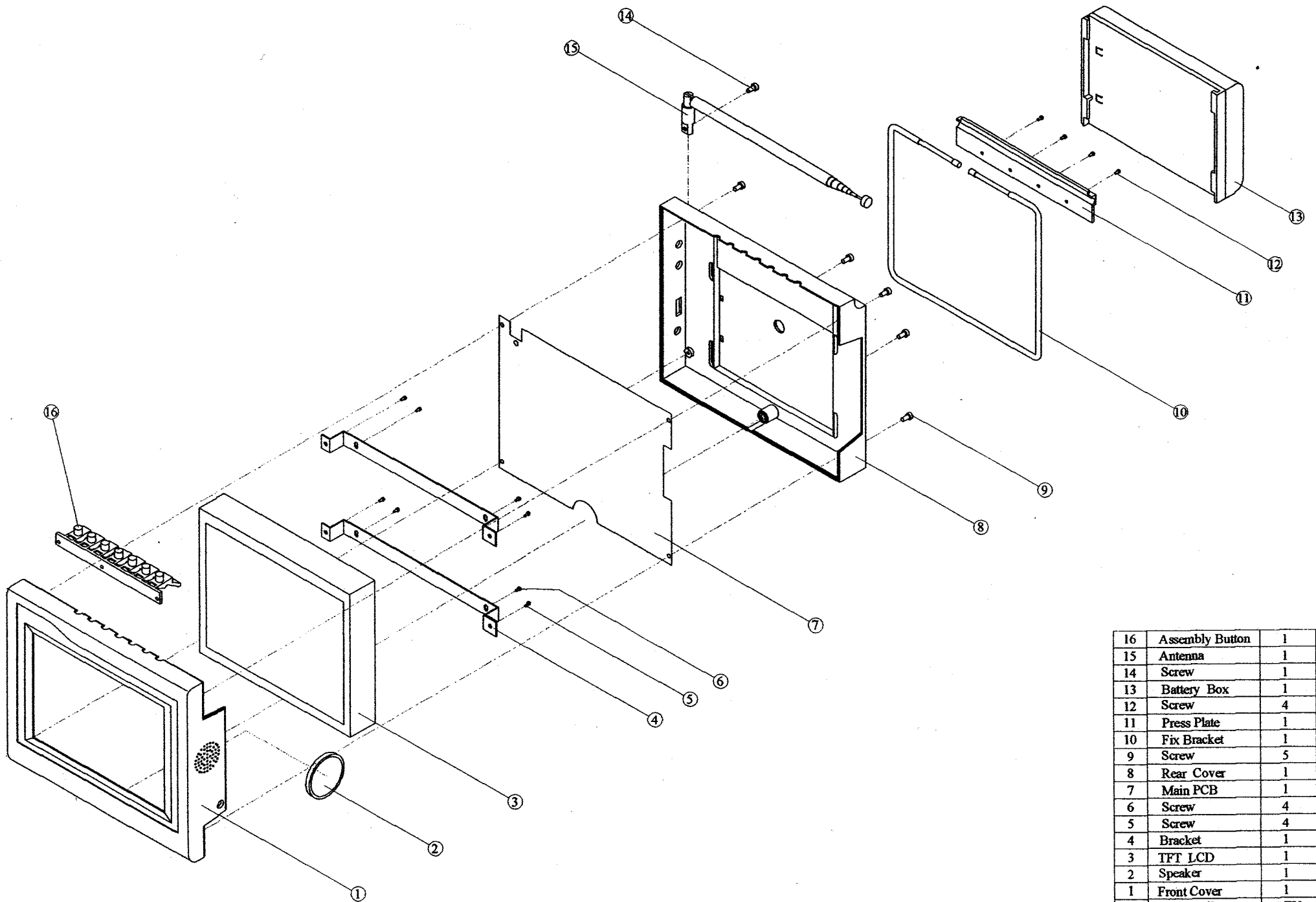


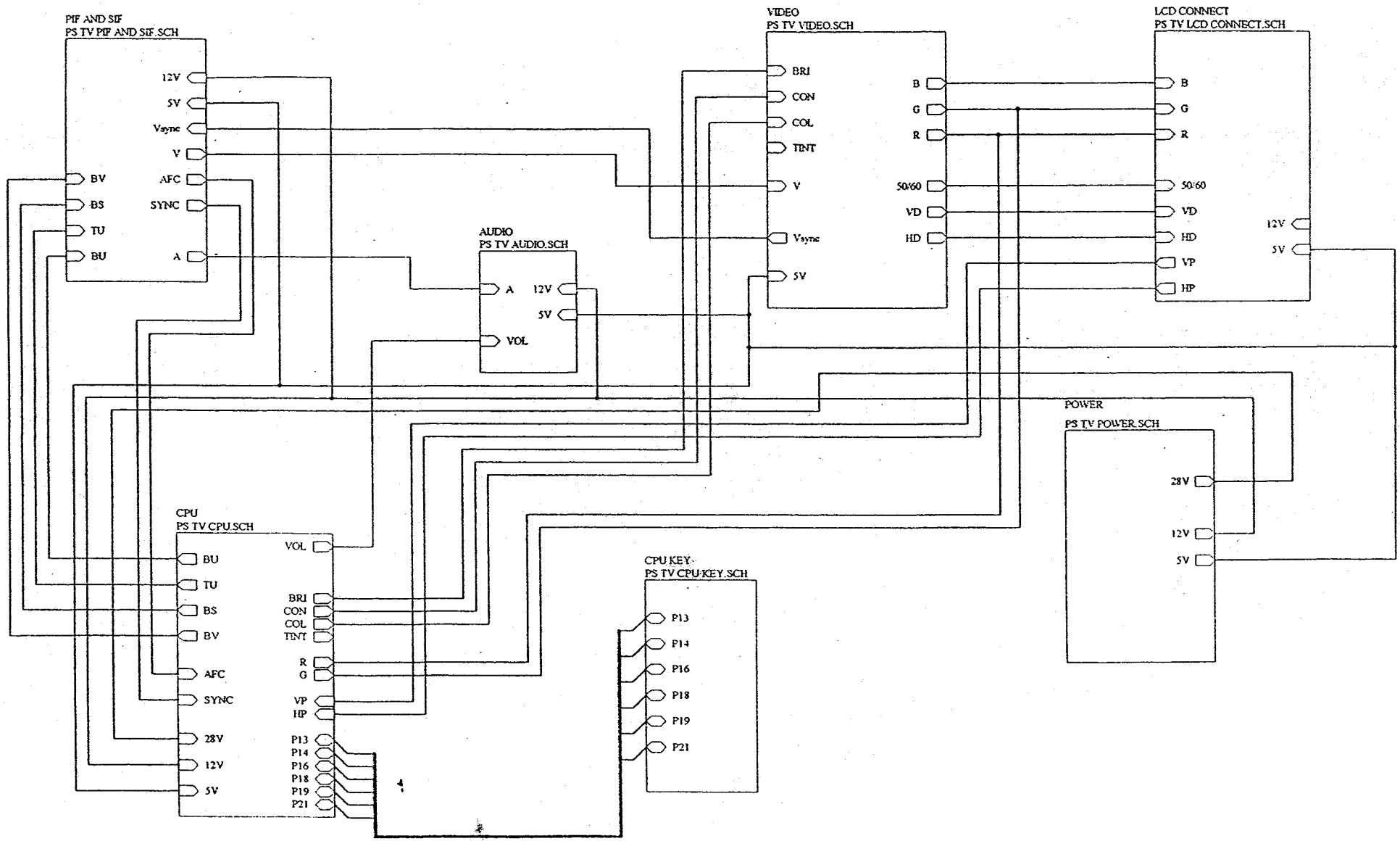


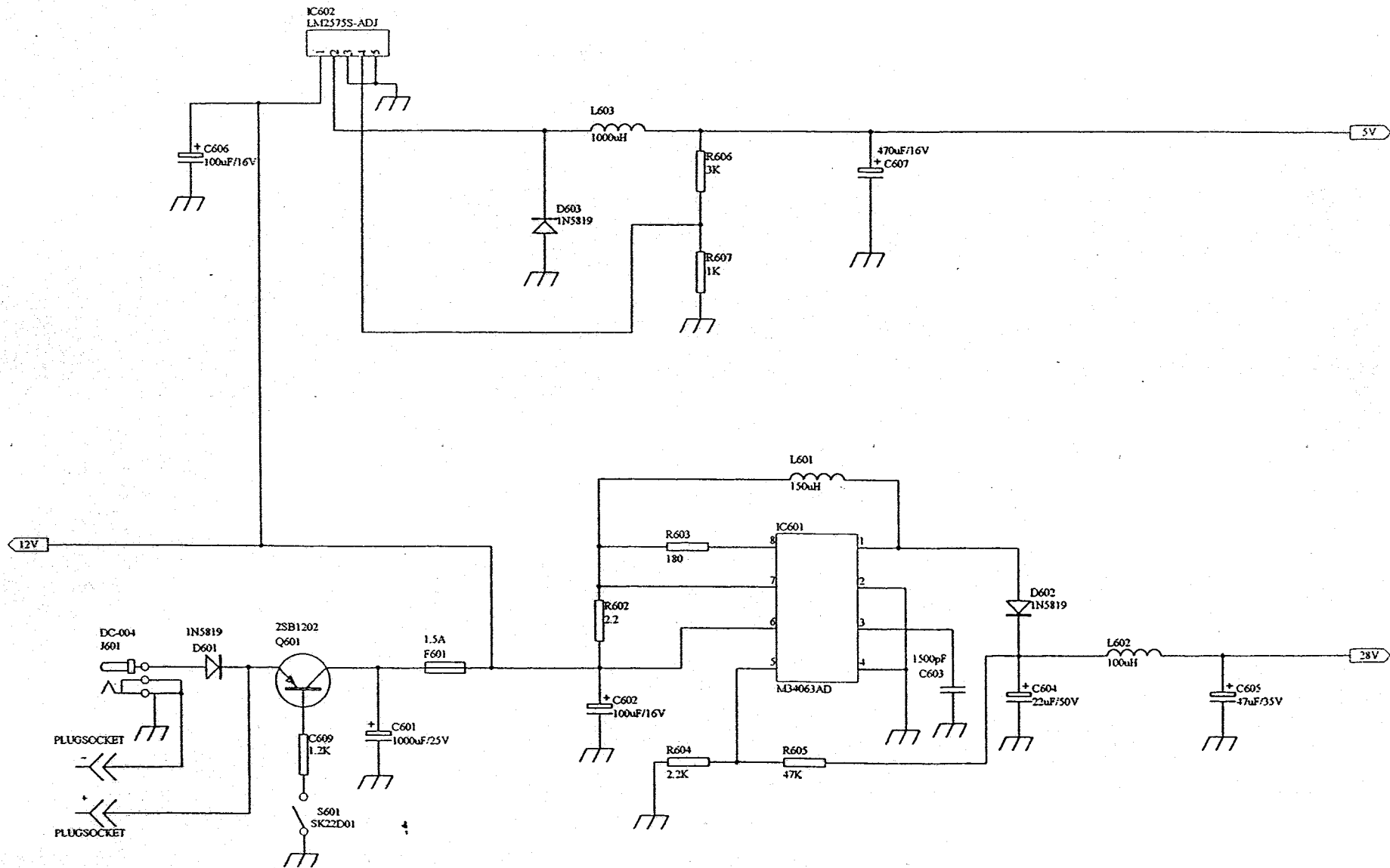
**LCD-5604TFT**

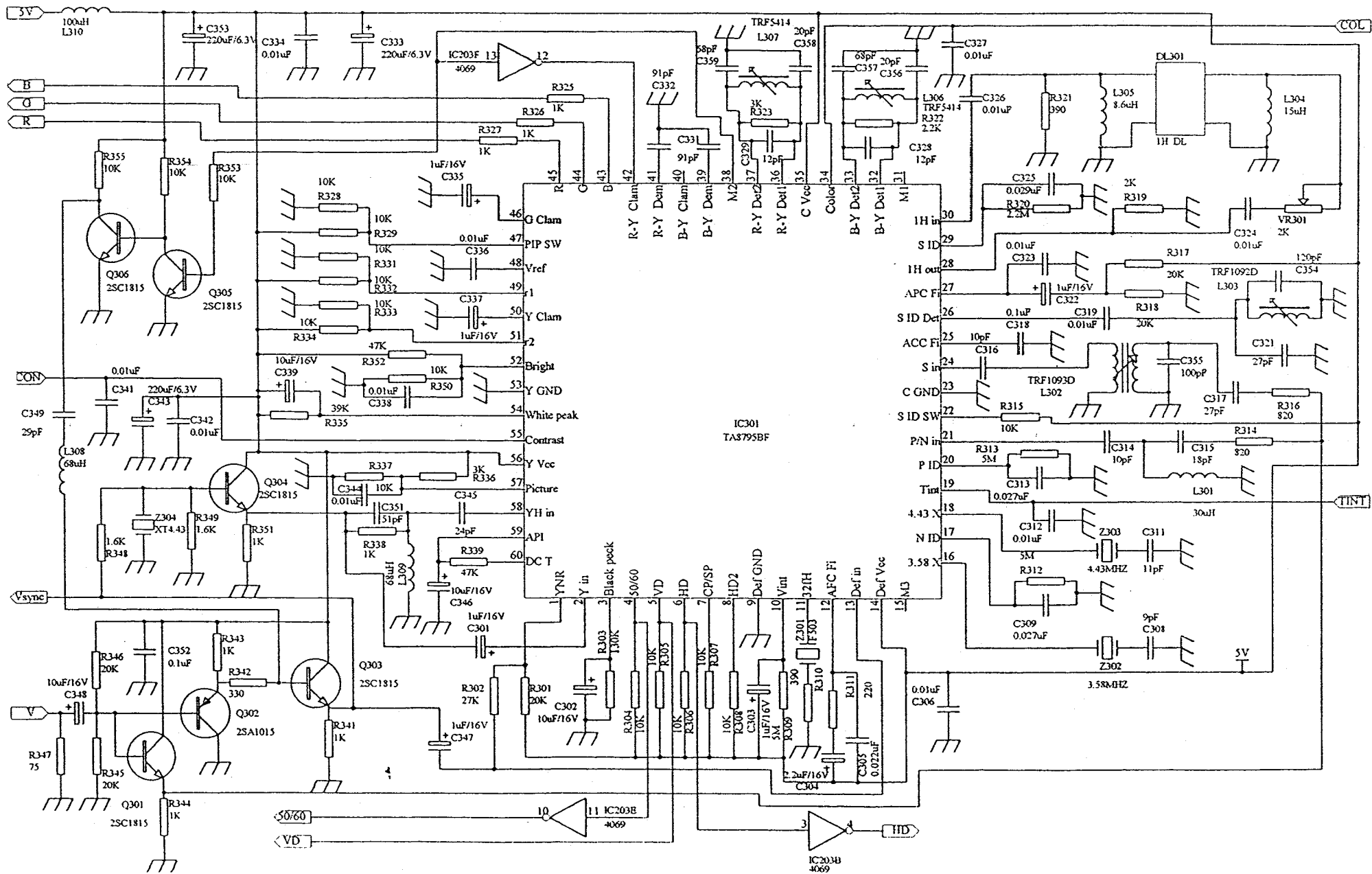
**Service Manual - LCD-5604TFT**

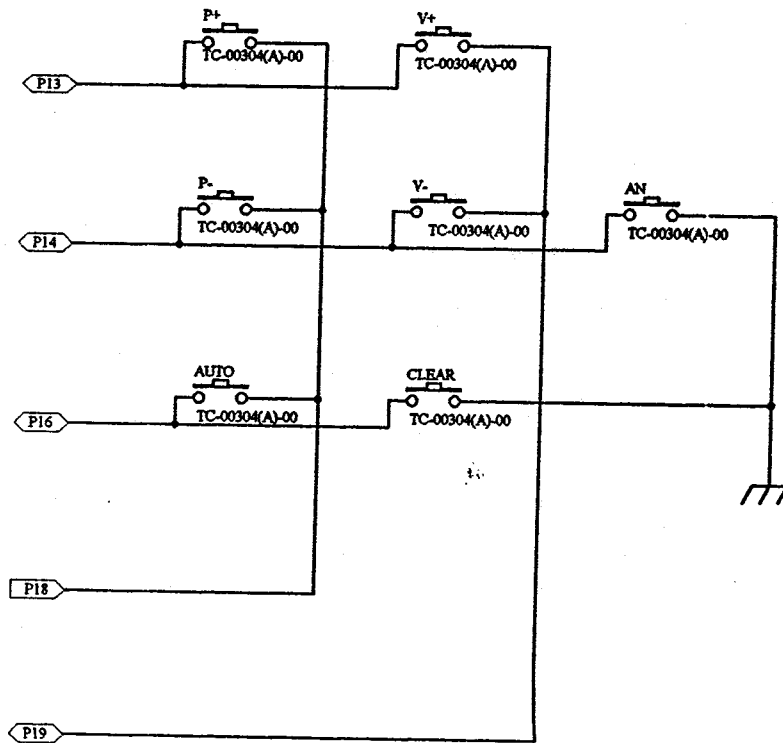


16	Assembly Button	1
15	Antenna	1
14	Screw	1
13	Battery Box	1
12	Screw	4
11	Press Plate	1
10	Fix Bracket	1
9	Screw	5
8	Rear Cover	1
7	Main PCB	1
6	Screw	4
5	Screw	4
4	Bracket	1
3	TFT LCD	1
2	Speaker	1
1	Front Cover	1
	Name/Spec	QTY

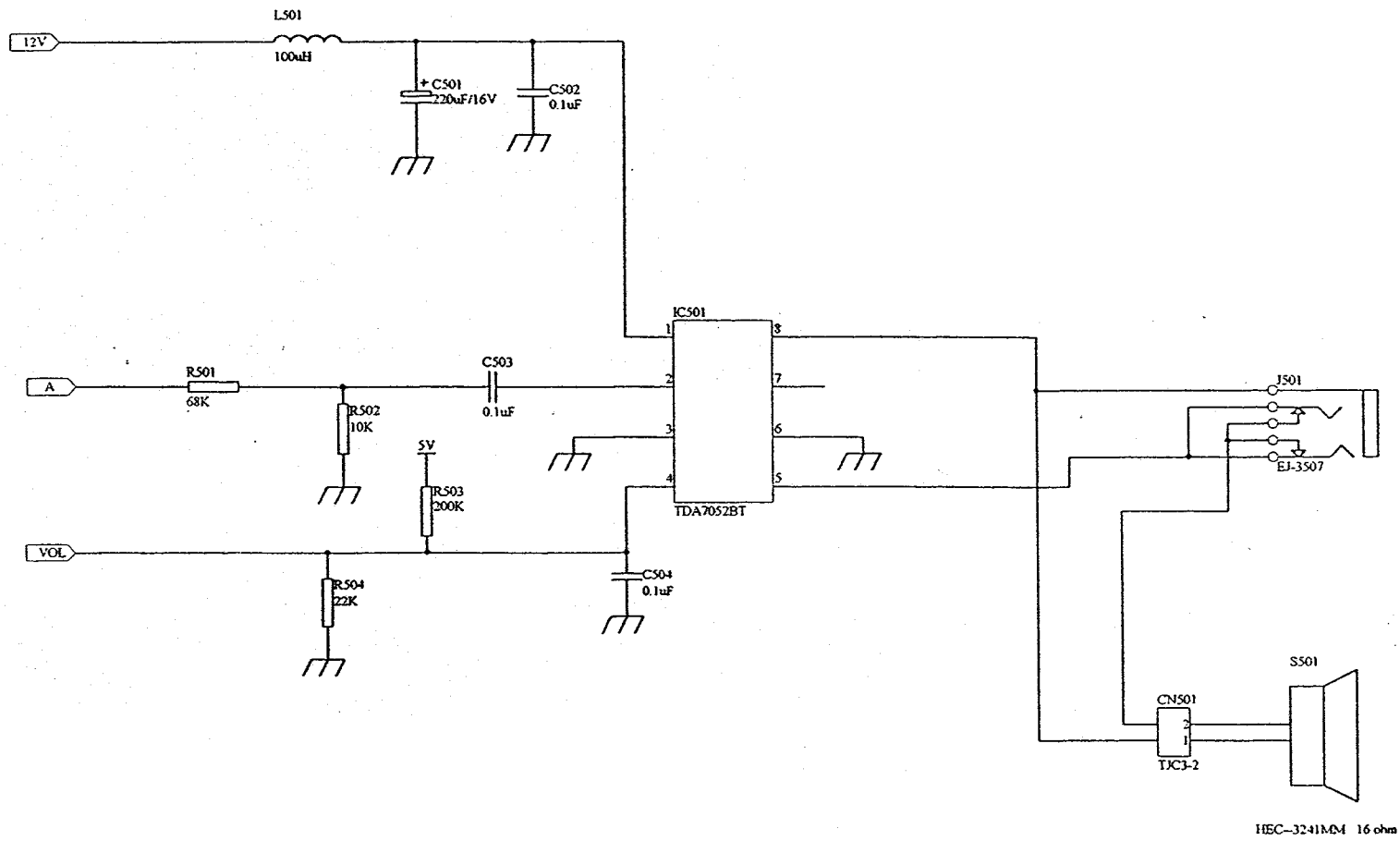




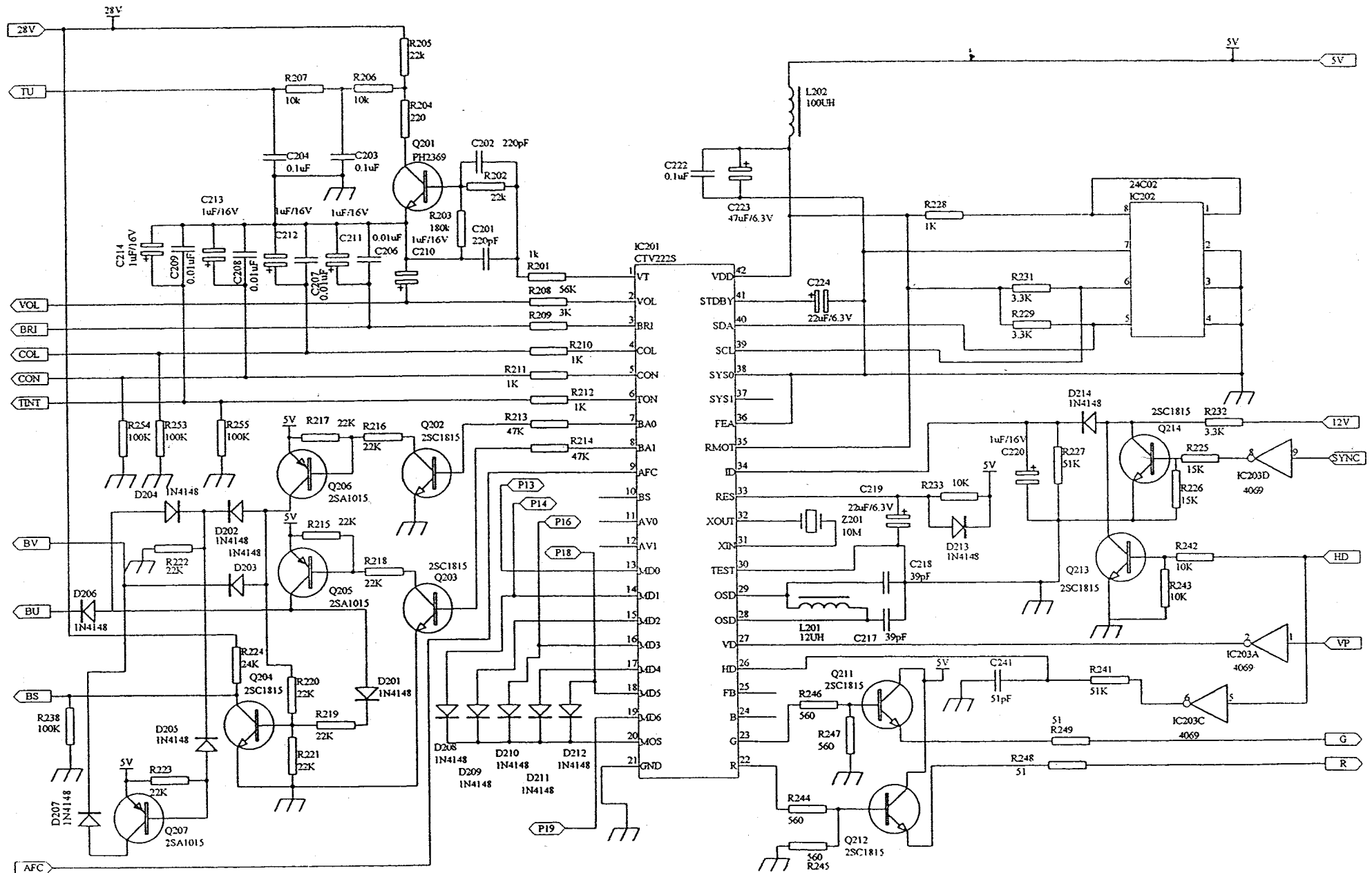




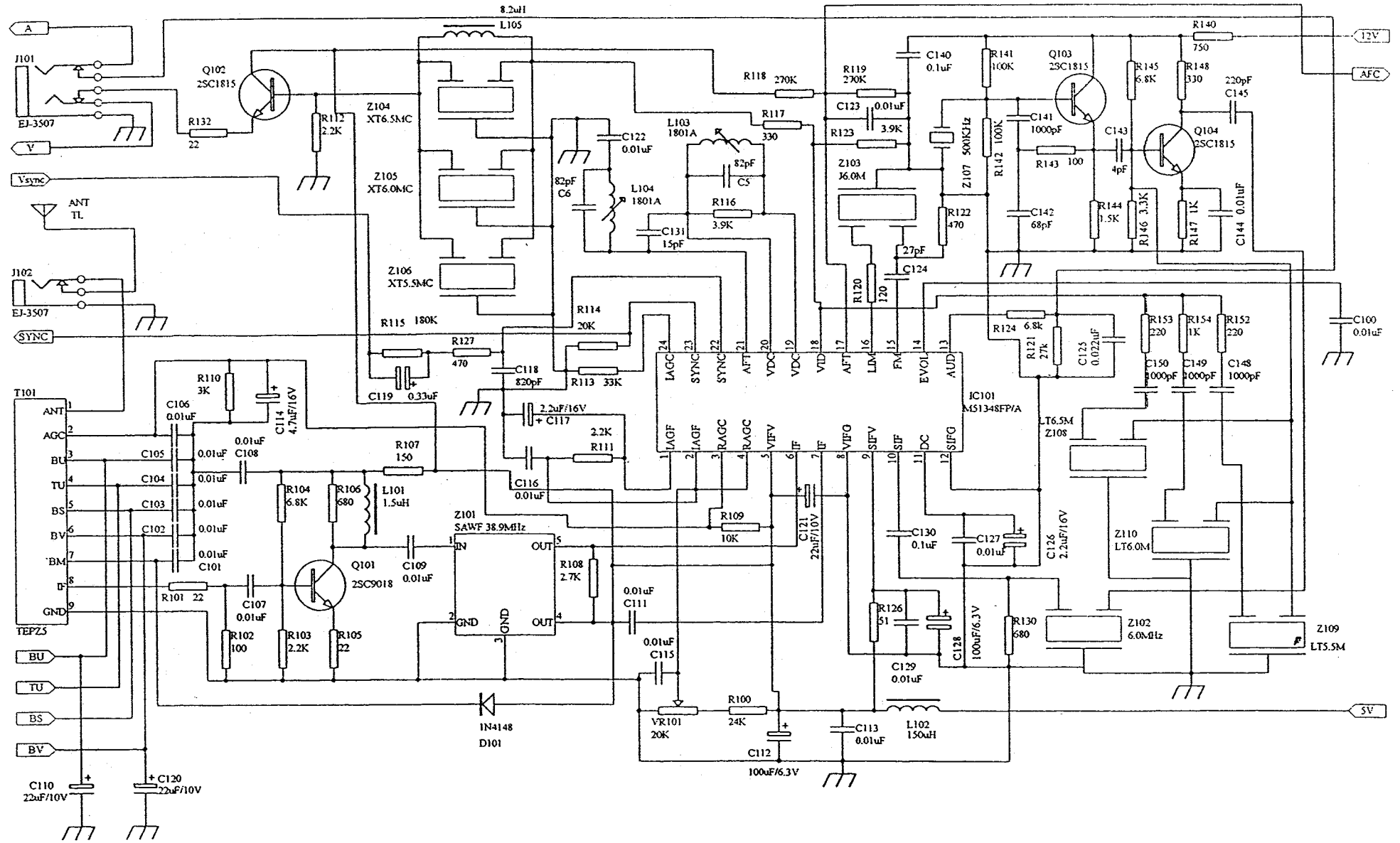
15—GND STORE  
13—GND PP

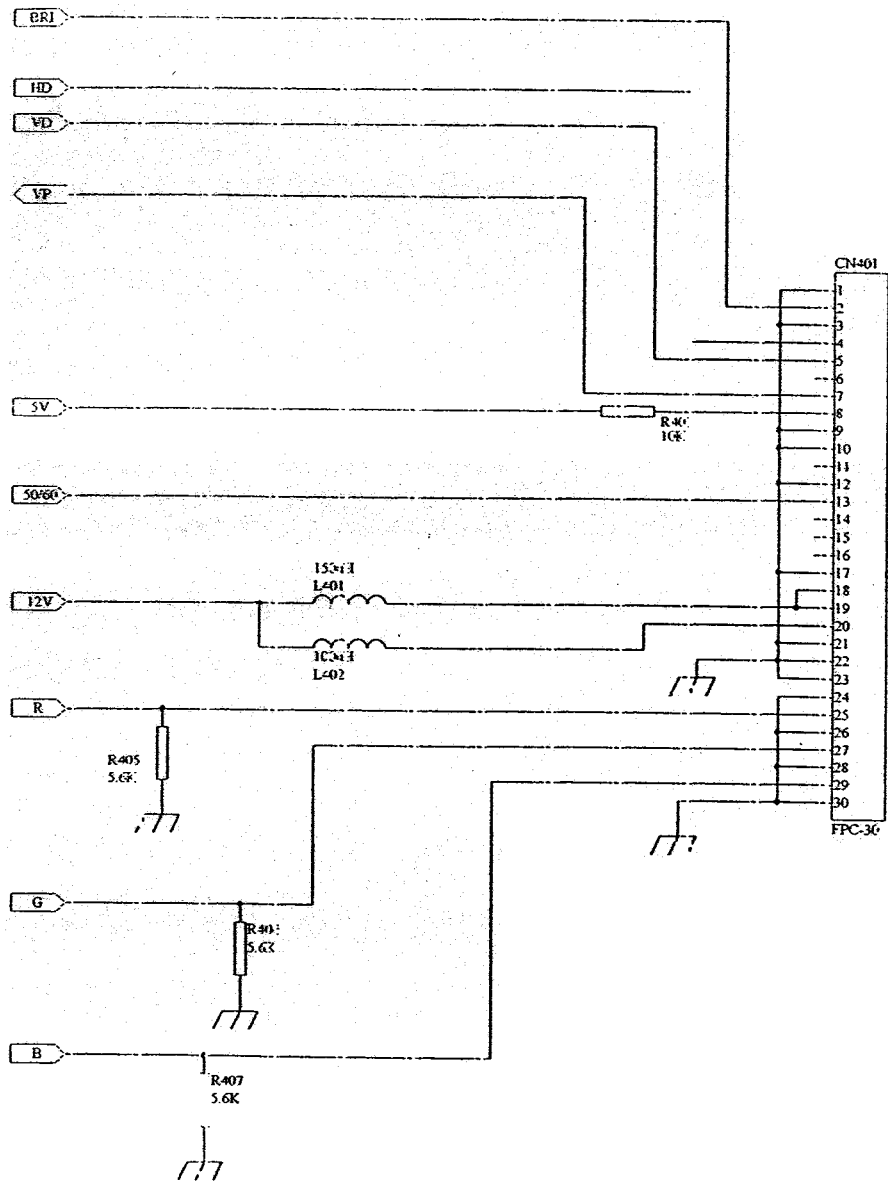


HEC-3241MM 16 ohm









NL3224\*035-09  
LCD

