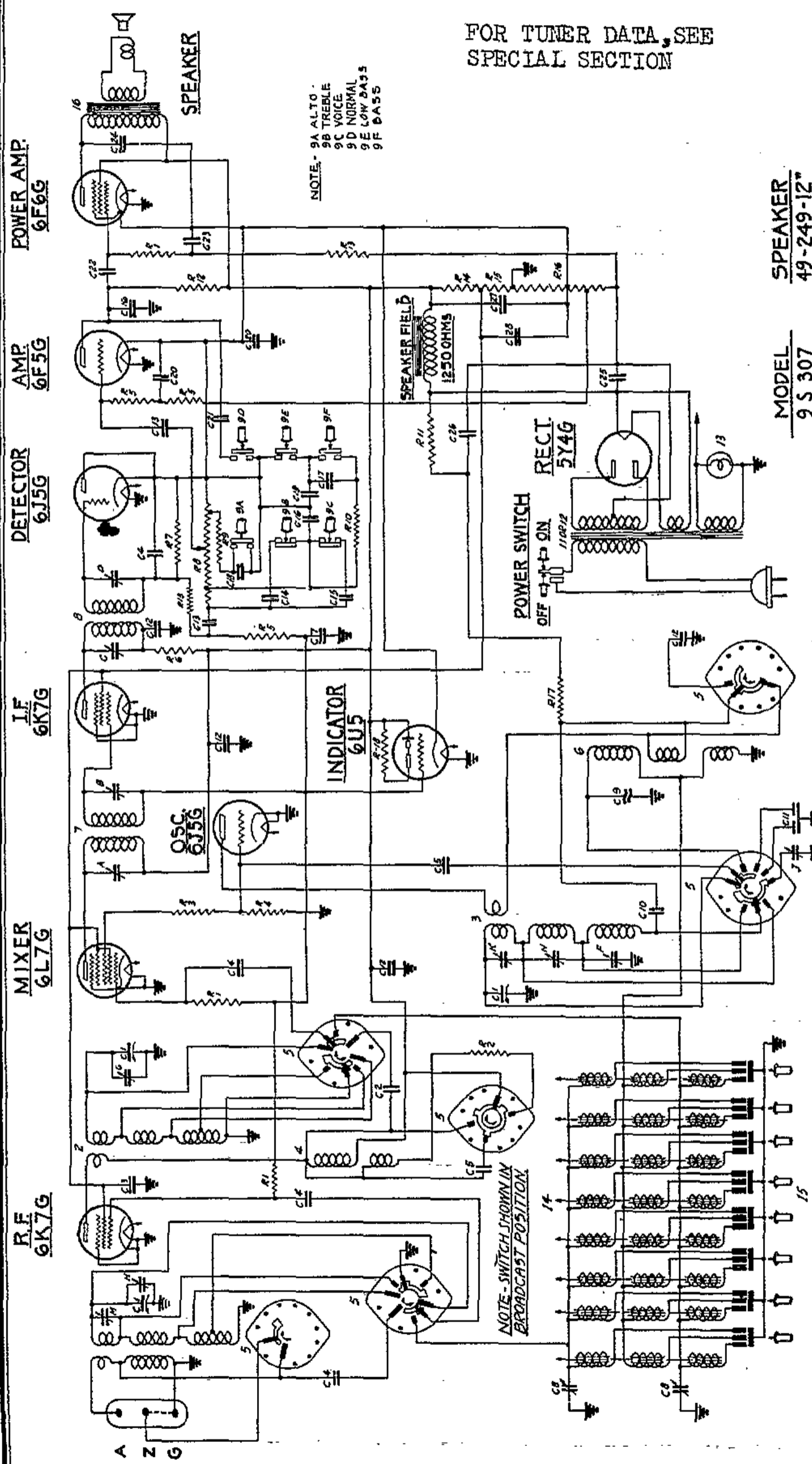


ZENITH RADIO CORP.

MODELS 9S307, 9S324
9S344, 9S367, 9S369
Chassis 5907
Schematic, Parts

FOR TUNER DATA, SEE
SPECIAL SECTION



NOTE - 9A ALTO.
9B TREBLE
9C VOICE
9D NORMAL
9E LOW BASS
9F BASS

MODEL	SPEAKER
9 S 307	49-249-12"
9 S 324	49-179-8"
9 S 344	49-251-10"
9 S 367	49-249-12"
9 S 369	49-249-12"

I.F. FREQUENCY 455 K.C.
9-TUBE SUPERHETERODYNE
CHASSIS NO. 5907 A.C. 3-BAND
ZENITH RADIO CORPORATION
CHICAGO, ILL.

PART NO.	DESCRIPTION	PART NO.	DESCRIPTION	PART NO.	DESCRIPTION
C-1	32-746	3 SECTION CHOKING	10-10	10-10	10-10
C-2	32-288	10 MFD ELECTROLYTIC	10-10	10-10	10-10
C-3	32-170	5 MFD ELECTROLYTIC	10-10	10-10	10-10
C-4	32-162	10 MFD ELECTROLYTIC	10-10	10-10	10-10
C-5	32-162	10 MFD ELECTROLYTIC	10-10	10-10	10-10
C-6	32-162	10 MFD ELECTROLYTIC	10-10	10-10	10-10
C-7	32-162	10 MFD ELECTROLYTIC	10-10	10-10	10-10
C-8	32-162	10 MFD ELECTROLYTIC	10-10	10-10	10-10
C-9	32-162	10 MFD ELECTROLYTIC	10-10	10-10	10-10
C-10	32-162	10 MFD ELECTROLYTIC	10-10	10-10	10-10
C-11	32-162	10 MFD ELECTROLYTIC	10-10	10-10	10-10
C-12	32-162	10 MFD ELECTROLYTIC	10-10	10-10	10-10
C-13	32-162	10 MFD ELECTROLYTIC	10-10	10-10	10-10
C-14	32-162	10 MFD ELECTROLYTIC	10-10	10-10	10-10
C-15	32-162	10 MFD ELECTROLYTIC	10-10	10-10	10-10
C-16	32-162	10 MFD ELECTROLYTIC	10-10	10-10	10-10
C-17	32-162	10 MFD ELECTROLYTIC	10-10	10-10	10-10
C-18	32-162	10 MFD ELECTROLYTIC	10-10	10-10	10-10
C-19	32-162	10 MFD ELECTROLYTIC	10-10	10-10	10-10
C-20	32-162	10 MFD ELECTROLYTIC	10-10	10-10	10-10
C-21	32-162	10 MFD ELECTROLYTIC	10-10	10-10	10-10
C-22	32-162	10 MFD ELECTROLYTIC	10-10	10-10	10-10
C-23	32-162	10 MFD ELECTROLYTIC	10-10	10-10	10-10

Courtesy Nostalgia Air

MODELS 9S307, 9S324, 9S344
 9S367, 9S369. Chassis 5907
 Voltage, Socket, Trimmers
 Alignment

ZENITH RADIO CORP.

5Y4G
 RECT.

6F6G
 OUTPUT

NOTE

Voltages measured with a 1000 ohm per volt meter from chassis to socket contacts. Antenna disconnected — volume control on full.

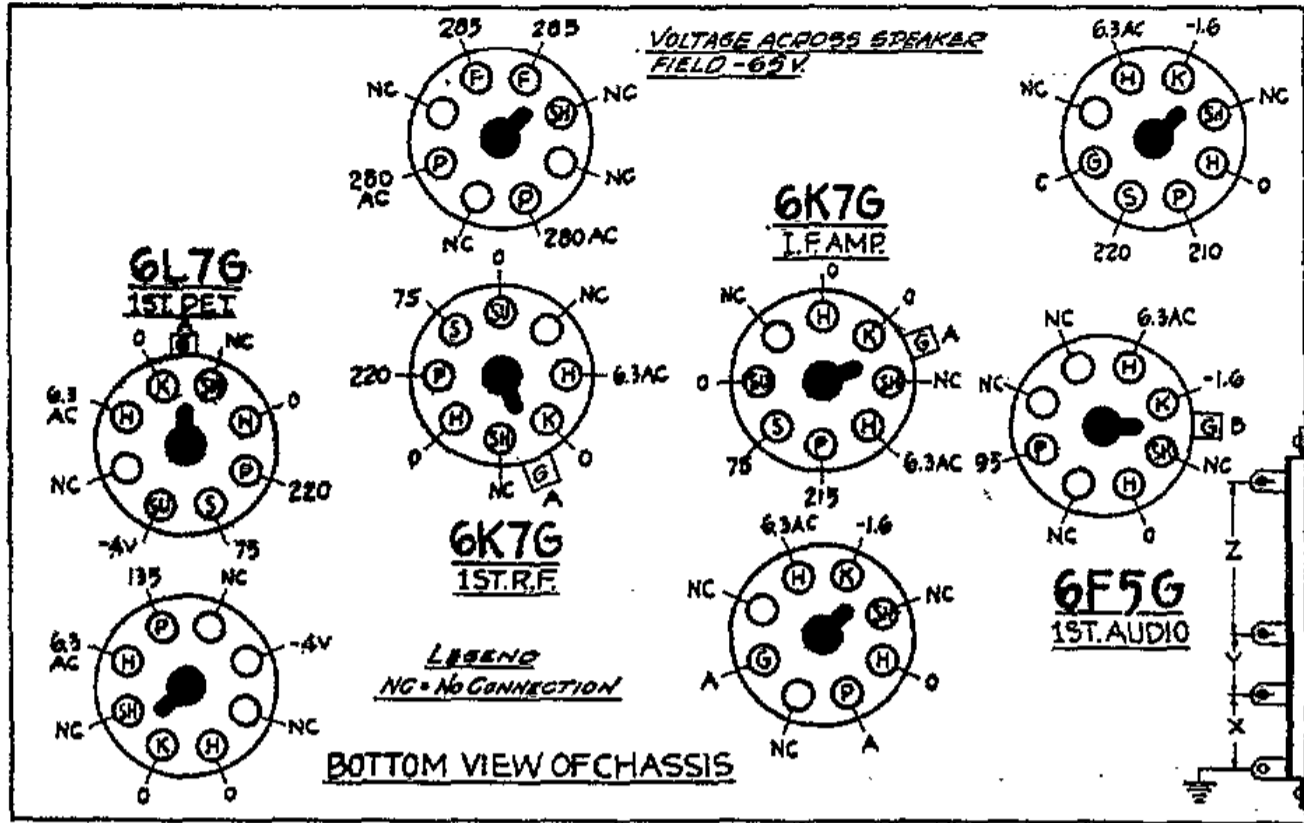
Line voltage 115 v. Consumption 75 watts

Power Output 4.5 watts.

(A) Bias for 6K7 R. F. and I.F. — 6L7 — 6U5 and 6J5 second det. measured across X and is — 1.6 volt.

(B) Bias for 6F5 measured across X and Y and is — 3 volts.

(C) Bias for 6F6 measured across XY and Z and is — 16 volts.



6J5G
 OSC.

FRONT OF CHASSIS

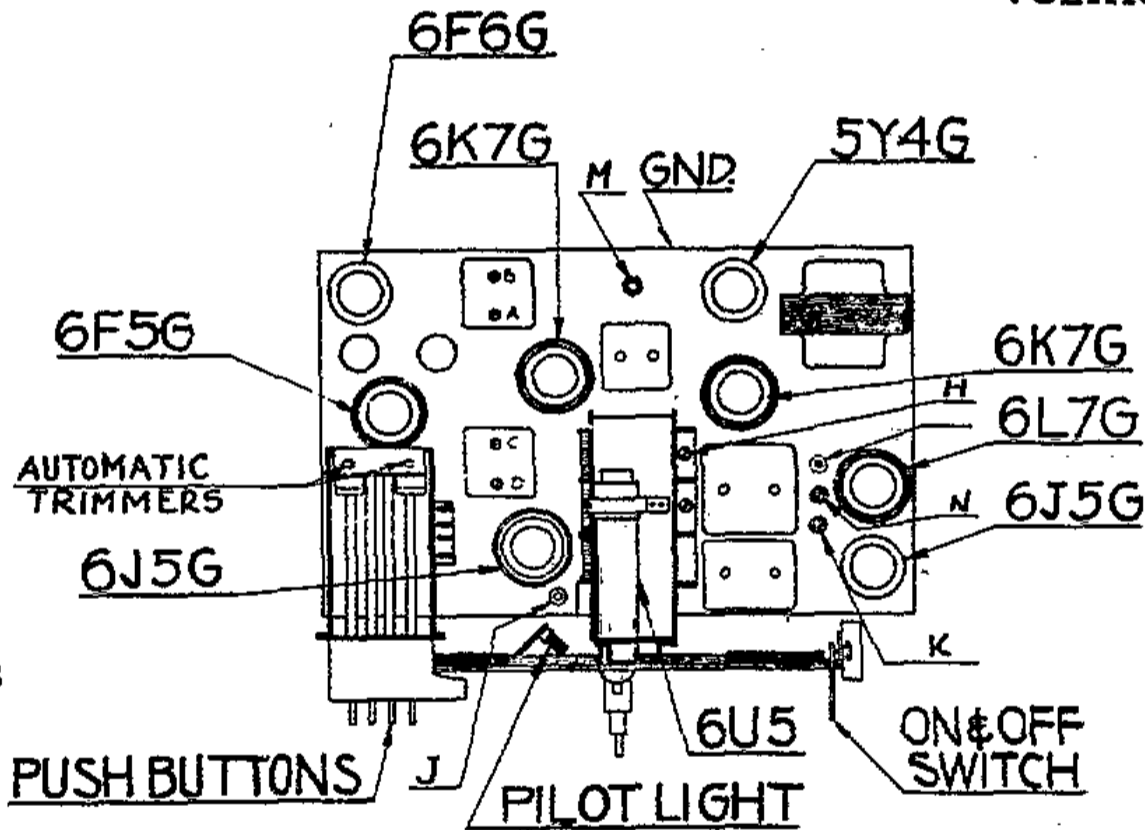
6J5G
 2ND DET.

SOCKET VOLTAGES

LEGEND

- SH — Shield
- H — Heater
- P — Plate
- S — Screen
- G — Grid
- SU — Suppressor
- D — Diode
- K — Cathode
- NC — No Connection
- F — Filament

Location of Tubes and Trimmers



Models 9S307, 9S324, 9S344, 9S367, 9S369

ALIGNMENT PROCEDURE

Operation	Connect Test Oscillator to	Dummy Antenna	Set Test Osc. to	Band	Set Dial At	Adjust Trimmers	Purpose
1	1st Det. Grid	1/2 Mfd.	455	Br'dc't	600	ABCD	I. F. Alignment
2	Rec. Ant. Post	200 Mmfd.	1500	"	1500	F	Set Osc. to Scale
3	" " "	200 Mmfd.	1500	"	1500	GH	Al'gment of Ant. and Det.
4	" " "	200 Mmfd.	600	"	600	J	Rock gang & adj. for max. output
5	" " "	200 Mmfd.		"		FGH	Repeat 2 & 3
6	" " "	400 Ohms	18000	S.W.	18000	K	Set Osc. to scale
7	" " "	400 Ohms	18000	S.W.	18000	M	Rock gang & adj. for max. output
8	" " "	400 Ohms	6000	Police	6000	N	Rock gang & adj. for max. output