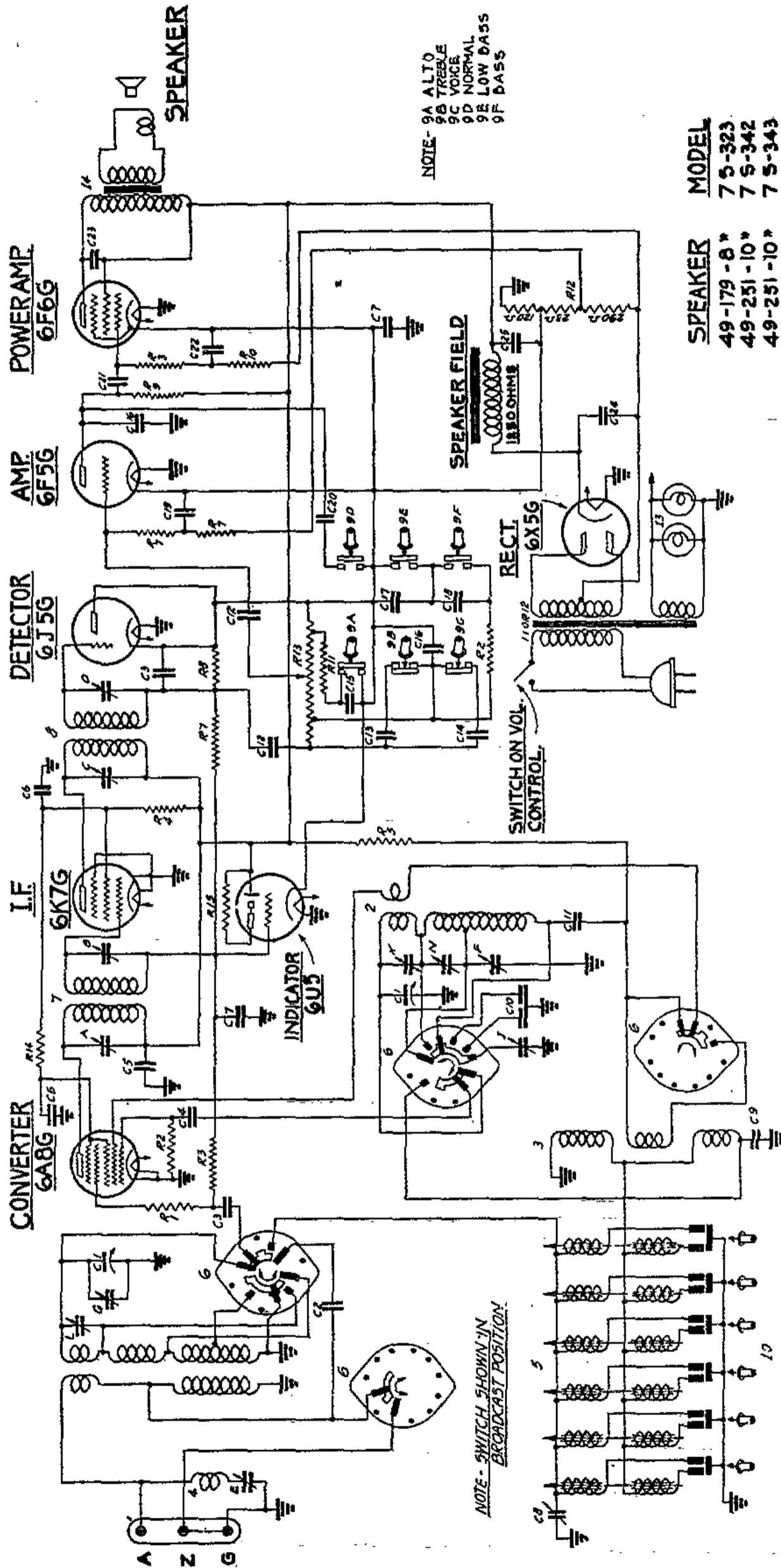


ZENITH RADIO CORP.

MODELS 7S323, 7S342, 7S343
7S363, 7S366, 7S364
Chassis 5714
Schematic, Parts



NOTE- 9A ALTO
9B TREBLE
9C VOICE
9D NORMAL
9E LOW BASS
9F

SPEAKER	MODEL
49-179-8*	7 S-323
49-251-10*	7 S-342
49-251-10*	7 S-343
49-208-10*	7 S-363
49-249-12*	7 S-366
49-266-12*	7 S-364

I.F. FREQUENCY 455 K.C.
7 TUBE SUPERHETERODYNE
CHASSIS NO 5714-A.C. 3-BAND
ZENITH RADIO CORPORATION
CHICAGO, ILL.

PART NO.	DESCRIPTION	QTY	DESCRIPTION	QTY	DESCRIPTION	QTY	DESCRIPTION
C-1	22-717 TRAPING MERCURY	1	600V	1	600V	1	600V
C-2	22-289 STRAINER	1	600V	1	600V	1	600V
C-3	22-182 0001MFD	1	600V	1	600V	1	600V
C-4	22-127 25 MFD	1	600V	1	600V	1	600V
C-5	22-170 .1 MFD	1	600V	1	600V	1	600V
C-6	22-212 .05 MFD	1	600V	1	600V	1	600V
C-7	22-250 .05 MFD	1	600V	1	600V	1	600V
C-8	22-518 TRIMMER COND	1	600V	1	600V	1	600V
C-9	22-740 COMPENSATING COND	1	600V	1	600V	1	600V
C-10	22-708 DUAL FILM PAPER	1	600V	1	600V	1	600V
C-11	22-358 .02 MFD	1	600V	1	600V	1	600V
C-12	22-327 .02 MFD	1	600V	1	600V	1	600V
C-13	22-102 .00025 MFD	1	600V	1	600V	1	600V
C-14	22-470 .00015 MFD	1	600V	1	600V	1	600V
C-15	22-185 .01 MFD	1	600V	1	600V	1	600V
C-16	22-147 .0005 MFD	1	600V	1	600V	1	600V
C-17	22-450 .0005 MFD	1	600V	1	600V	1	600V
C-18	22-356 .003 MFD	1	600V	1	600V	1	600V
C-19	22-190 .1 MFD	1	600V	1	600V	1	600V
C-20	22-441 .004 MFD	1	600V	1	600V	1	600V

FOR TUNER DATA, SEE SPECIAL SECTION

MODELS 7S323, 7S342, 7S343, 7S363, 7S364, 7S366
 7S363, 7S364, 7S366
 Chassis 5714
 Voltage, Socket, Trimmers.
 Alignment

ZENITH RADIO CORP.

NOTE

Voltages measured with a 1000 ohm per volt meter from chassis to socket contacts. Antenna disconnected — volume control on full.

Line voltage 115 V. Consumption 65 watts.

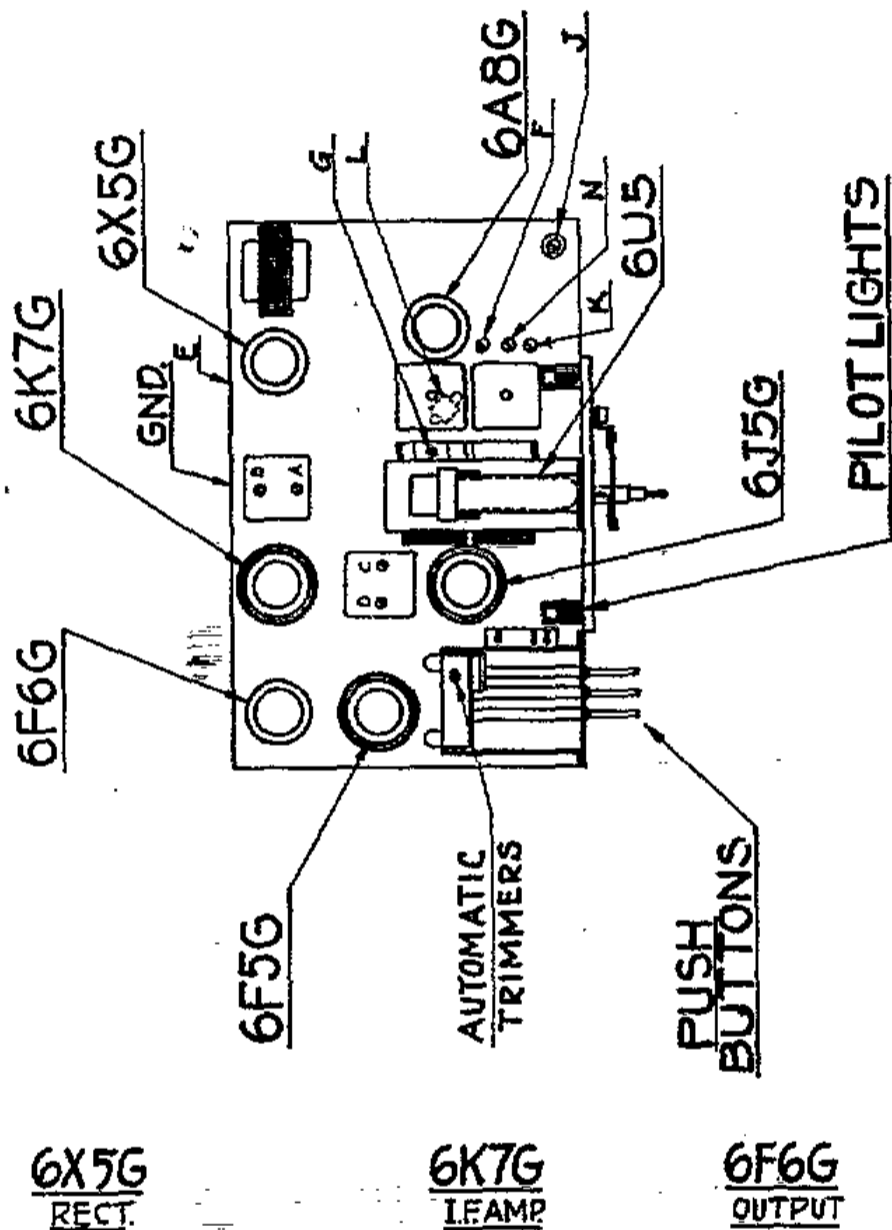
Power Output 4.5 watts.

(A) Bias for 6J5 — 6K7 and 6A8 measured across X of voltage divider is—2 volts.

(B) Bias for 6F5 measured across X and Y sections of voltage divider is—3.2 volts.

(C) Bias for 6F6 measured across XY and Z sections of voltage divider is—16 volts.

Models 7S323, 7S342, 7S343, 7S363, 7S364, 7S366
 CHASSIS No. 5714



Location of Tubes and Trimmers

ALIGNMENT PROCEDURE

Operation	Connect Test Oscillator to	Dummy Antenna	Set Test Osc. to	Band	Set Dial At	Adjust Trimmers	Purpose
1	1st Det. Grid	1/2 Mfd.	455	Br'dc't	600	ABCD	I. F. Alignment
2	Rec. Ant. Post	200 Mmfd.	455	"	600	E	See Note
3	"	200 Mmfd.	1500	"	1500	F	Set Osc. to Scale
4	"	200 Mmfd.	1500	"	1500	G	Alignm't of Ant.
5	"	200 Mmfd.	600	"	600	J	Rock gang & adj. for max. output.
6	"	200 Mmfd.	"	"	"	FG	Repea 3 & 4
7	"	400 Ohms	18000	S.W.	18000	K	Set Osc. to Scale
8	"	400 Ohms	18000	S.W.	18000	L	Rock Gang & adj. for max. output.
9	"	400 Ohms	6000	Police	6000	N	Rock Gang & adj. for max. output.

NOTE: If receiver is used in location subject to code interference adjust wave trap (E) for minimum interference with antenna connected and receiver operating in broadcast band.

