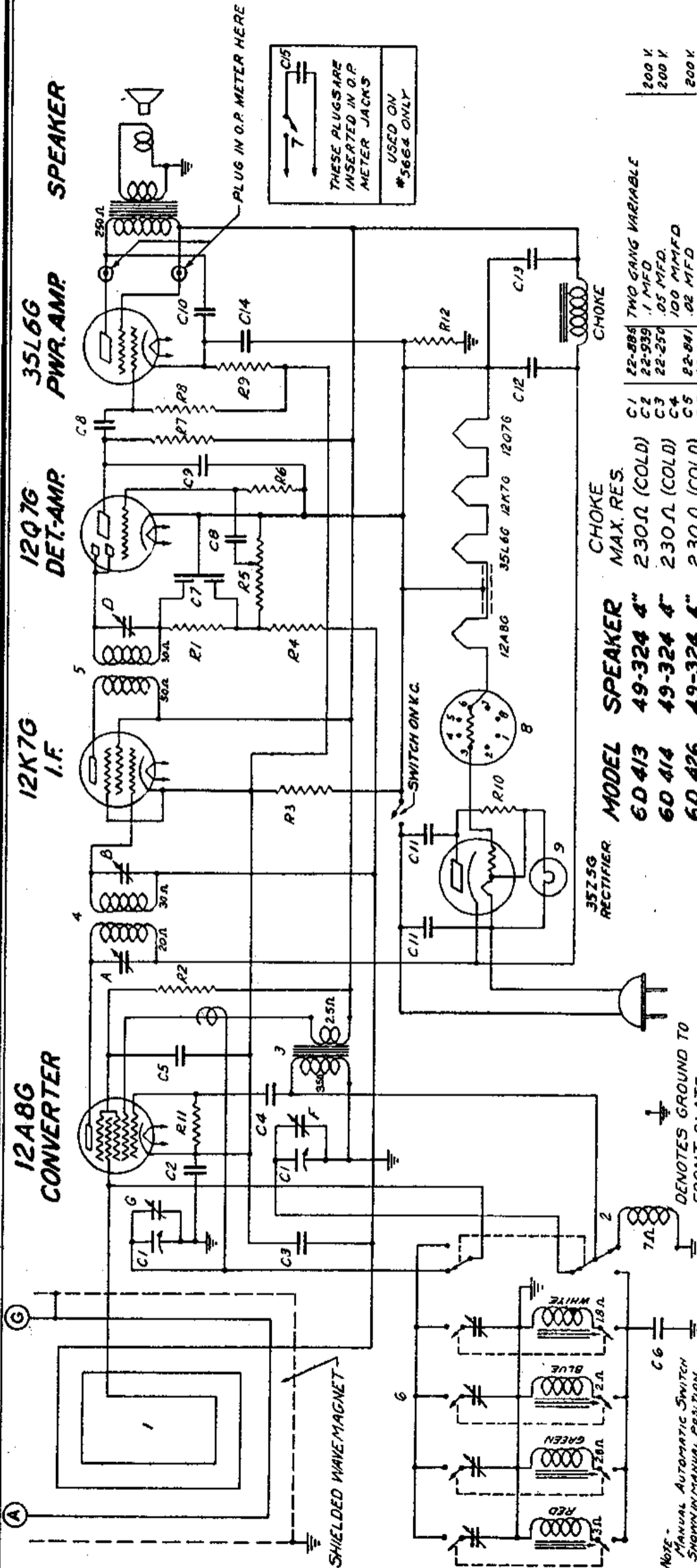


MODELS 6D413, 6D414, 6D426
6D427, 6D446, 6D455
Chassis 5660, 5664
Schematic, Voltage, Socket

ZENITH RADIO CORP.



PLUG IN O.P. METER HERE

THESE PLUGS ARE
INSERTED IN O.P.
METER JACKS
#5664 ONLY

C1	22-888	TWO GANG VARIABLE	200 V
C2	22-939	.1 MFD	200 V
C3	22-250	.05 MFD	200 V
C4	22-841	.02 MFD	400 V
C5	22-868	DUAL 100 MMFD	400 V
C6	22-837	.01 MFD	150 V
C7	22-833	.0005 MFD	25 V
C8	22-834	.03 MFD	400 V
C9	22-839	.05 MFD	400 V
C10	22-839	.05 MFD	400 V
C11	22-839	.05 MFD	400 V
C12	22-839	.05 MFD	400 V
C13	22-839	.05 MFD	400 V
C14	22-839	.05 MFD	400 V
C15	22-839	.05 MFD	400 V
R1	22-844	47 M OHM	1/4 W
R2	63-593	47 M OHM	1/4 W
R3	63-591	24 M OHM	1/4 W
R4	63-572	15 OHM	1/4 W
R5	63-600	2.2 MEG OHM	1/4 W
R6	63-602	4.7 MEG OHM	1/4 W
R7	63-296	220 M OHM	1/4 W
R8	63-597	470 M OHM	1/4 W
R9	63-686	150 OHM WIREWOUND	1/4 W
R10	63-1017	27 OHM WIREWOUND	1/4 W
R11	63-713	47 M OHM	1/4 W
R12	63-717	220M OHM	1/4 W
1	S 6927	OSCILLATOR ASSEMBLY	
2	S 6942	OSC COUPLER COIL ASSEMBLY	
3	S 6902	I.F. TRANS. ASSEMBLY	
4	S 6903	I.F. TRANS. ASSEMBLY	
5	S 6903	I.F. TRANS. ASSEMBLY	
6	S 6903	I.F. TRANS. ASSEMBLY	
7	MS 517	AUTOMATIC TUNING SWIT. ASSEM.	
8	100-77	BALLAST TUBE	
9	100-67	PILOT LIGHT BULB	
10	63V-15 AMP		
11	I.F. TRANS.	PRI	
12	I.F. TRANS.	SEC	
13	220 I.F. TRANS.	SEC	
14	BROADCAST OSC. (ON GANG)		
15	ANTENNA BROADCAST (ON GANG)		

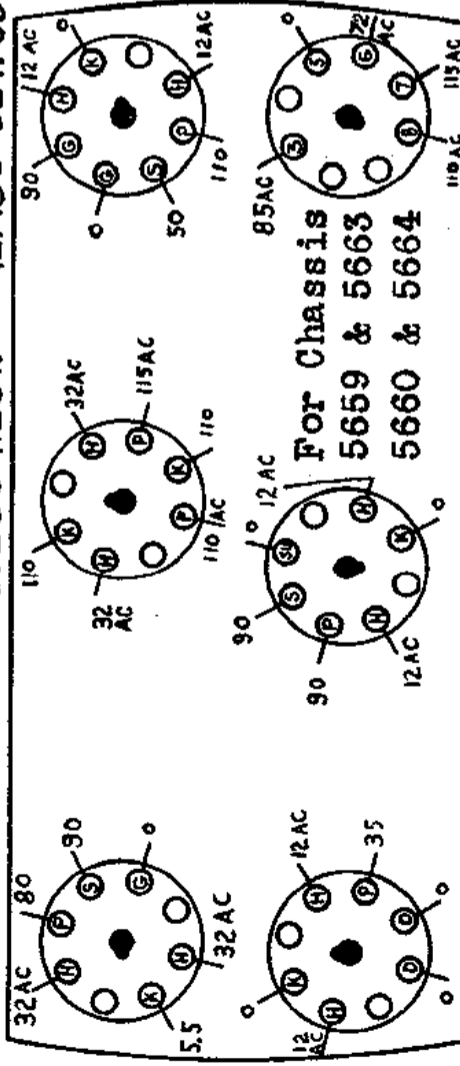
MODEL	SPEAKER	CHOKE	MAX. RES.
6D413	49-324 4"	230Ω (COLD)	
6D414	49-324 4"	230Ω (COLD)	
6D426	49-324 4"	230Ω (COLD)	
6D427	49-324 4"	230Ω (COLD)	
6D446	49-336 5"	325Ω (HOT)	
6D455	49-324 4"	230Ω (COLD)	

6 TUBE SUPERHETERODYNE
CHASSIS #5660 & #5664 A.C.-D.C.

35L6G-OUTPUT 35Z5G-RECT. 12A8G-DET. OSC. I.F. FREQUENCY 455KC.

NOTE

Voltages measured from No. 7 pin on ballast tube to point indicated using a 1000 ohm per volt meter. Vol. control at minimum. Antenna disconnected. All filament voltages measured across each respective tube, using an A.C. volt-meter. Line voltage — 110v.



12Q7G-2ND. DET. 12K7G-I.F. 100-77-BALLAST
FRONT OF CHASSIS