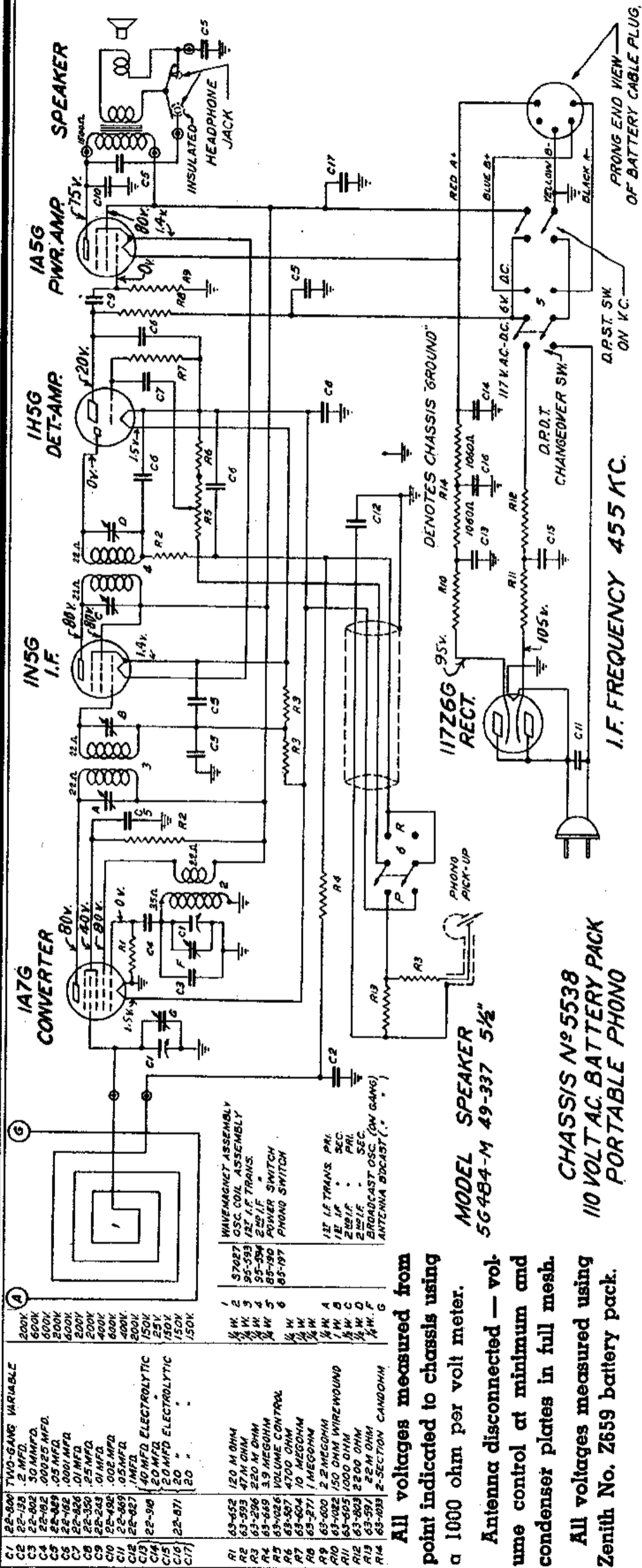
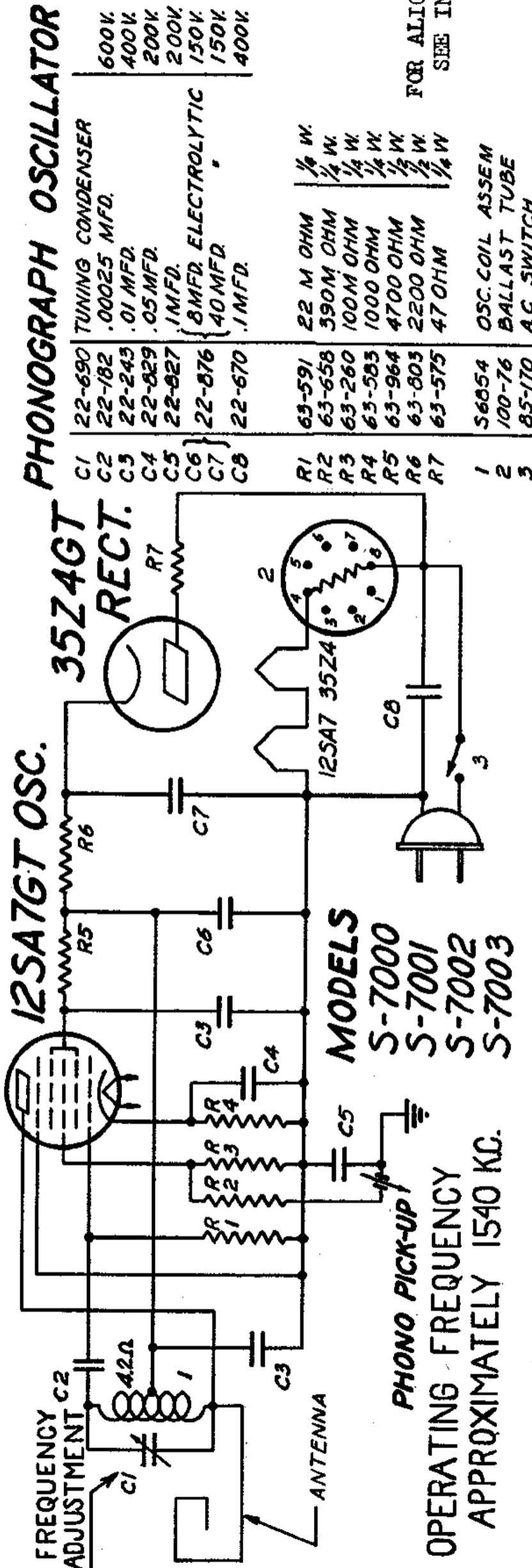


MODELS 5G484, 5G484-M  
 Chassis 5538  
 Schematic, Volt age  
 MODELS S7000 to S7003  
 Wireless Record Player  
 Schematic



C1	200K	1/2 W.
C2	200K	1/2 W.
C3	200K	1/2 W.
C4	200K	1/2 W.
C5	200K	1/2 W.
C6	200K	1/2 W.
C7	200K	1/2 W.
C8	200K	1/2 W.
C9	200K	1/2 W.
C10	200K	1/2 W.
C11	200K	1/2 W.
C12	200K	1/2 W.
C13	200K	1/2 W.
C14	200K	1/2 W.
C15	200K	1/2 W.
C16	200K	1/2 W.
C17	200K	1/2 W.
R1	120 M OHM	1/2 W.
R2	47 M OHM	1/2 W.
R3	220 M OHM	1/2 W.
R4	3.3 MEG OHM	1/2 W.
R5	3.3 MEG OHM	1/2 W.
R6	4700 OHM	1/2 W.
R7	10 MEG OHM	1/2 W.
R8	1 MEG OHM	1/2 W.
R9	2 MEG OHM	1/2 W.
R10	150 OHM WIRE-WOUND	1/2 W.
R11	1000 OHM	1/2 W.
R12	2200 OHM	1/2 W.
R13	22 M OHM	1/2 W.
R14	22 M OHM	1/2 W.

All voltages measured from point indicated to chassis using a 1000 ohm per volt meter.  
 Antenna disconnected — volume control at minimum and condenser plates in full mesh.  
 All voltages measured using Zenith No. Z659 battery pack.



C1	22-690	TUNING CONDENSER	600V.
C2	22-182	.00025 MFD.	400V.
C3	22-243	.01 MFD.	200V.
C4	22-829	.05 MFD.	200V.
C5	22-827	.1 MFD.	150V.
C6	22-876	8 MFD. ELECTROLYTIC	150V.
C7		40 MFD.	400V.
C8	22-670	.1 MFD.	400V.
R1	63-591	22 M OHM	1/4 W.
R2	63-658	390 M OHM	1/4 W.
R3	63-260	100 M OHM	1/4 W.
R4	63-583	1000 OHM	1/4 W.
R5	63-964	4700 OHM	1/2 W.
R6	63-803	2200 OHM	1/2 W.
R7	63-575	47 OHM	1/4 W.
1	S6654	OSC. COIL ASSEM	
2	100-76	BALLAST TUBE	
3	85-170	AC SWITCH	

FOR ALIGNMENT  
 SEE INDEX