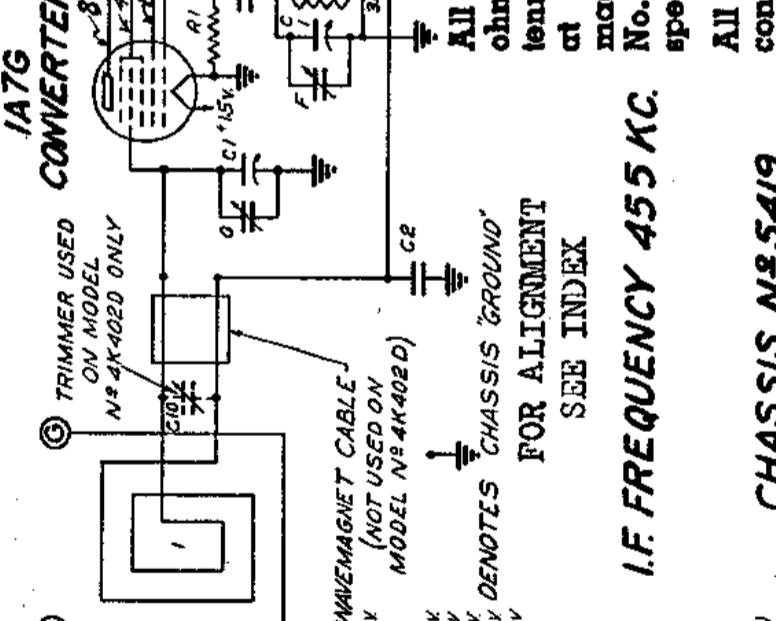
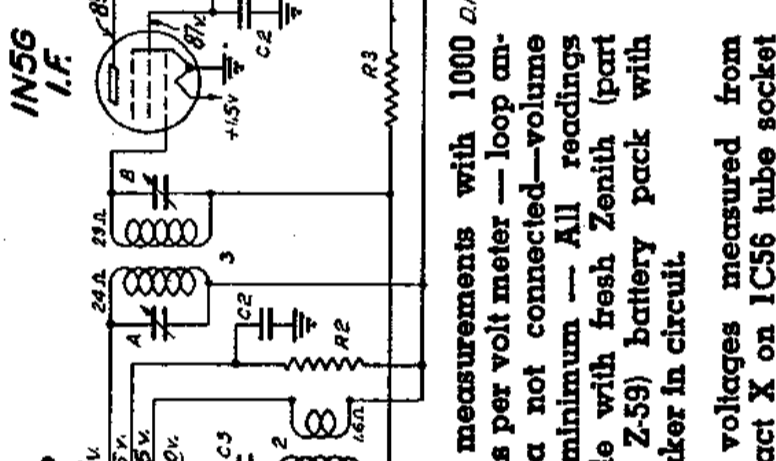
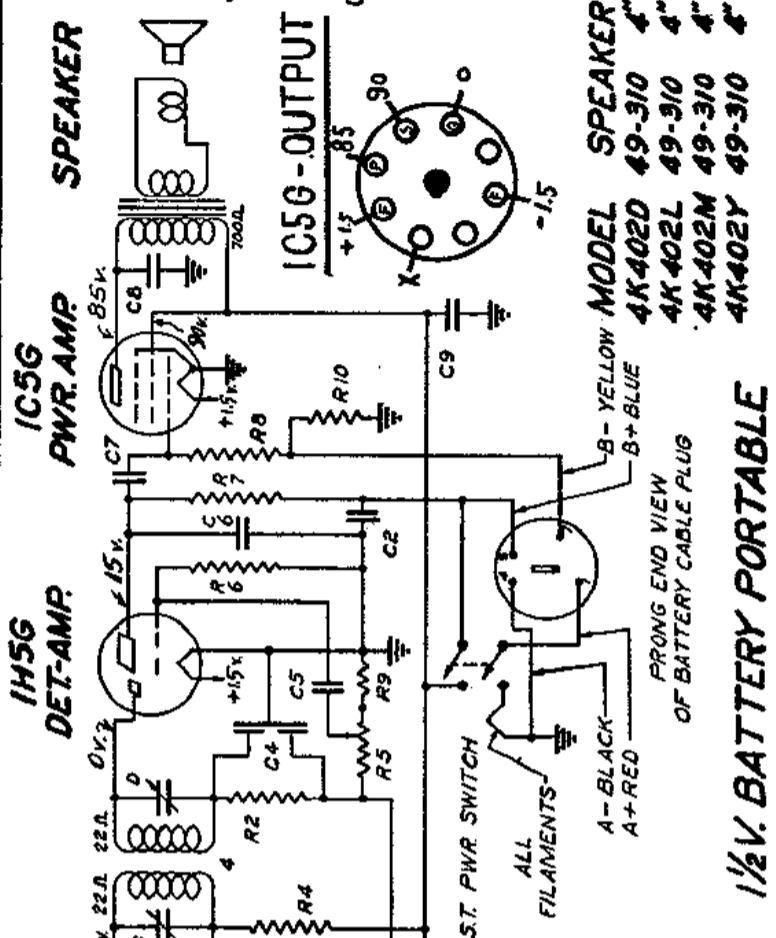


ZENITH RADIO CORP.

MODELS 4K402D, 4K402L, 4K402M
 Chassis 5419 4K402Y
 MODELS 5G401D, 5G401L, 5G401M
 Chassis 5537 5G401Y
 Schematics, Voltage



DIAG. NO.	PART NO.	DESCRIPTION
R1	63-652	120 M OHM
R2	63-593	47 M OHM
R3	63-669	3.9 MEGOHM
R4	63-583	1000 OHM
R5	63-1034	VOLUME CONTROL
R6	63-604	1 MEGOHM
R7	63-271	1 MEGOHM
R8	63-600	2.2 MEGOHM
R9	63-587	4700 OHM
R10	63-238	1000 OHM
C1	22-885	TWO-GANG VARIABLE
C2	22-929	.05 MFD.
C3		100 MMFD.
C4		DUAL 100 MMFD
C5	22-926	01 MFD.
C6	22-762	0001 MFD.
C7	22-243	01 MFD.
C8	22-448	.004 MFD.
C9	22-854	8 MFD. ELECTROLYTIC
C10	22-882	TRIMMER COND.
1	S7029	WAVEMAGNET ASSEMBLY
2	S7030	OSCILLATOR COIL ASSEM.
3	S7030	1ST I.F. TRANS. ASSEM.
4	95-606	2ND I.F. TRANS.
A		1ST I.F. TRANS. PRI.
B		2ND I.F. TRANS. SEC.
C		2ND I.F. TRANS. PRI.
D		2ND I.F. TRANS. SEC.
E		BROADCAST OSC. (ON GANG)
F		ANTENNA BROADCAST (ON GANG)
G		

DIAG. NO.	PART NO.	DESCRIPTION
C1	22-800	TWO-GANG VARIABLE
C2	22-130	2 MFD.
C3	22-802	30 MMFD.
C4	22-102	00025 MFD.
C5	22-859	05 MFD.
C6	22-152	0001 MFD.
C7	22-826	01 MFD.
C8	22-300	25 MFD.
C9	22-243	01 MFD.
C10	22-452	002 MFD.
C11	22-869	400 V
C12	22-910	40 MFD. ELECTROLYTIC
C13		20 MFD.
C14		20 MFD. ELECTROLYTIC
C15		150V
C16		150V
R1	63-652	120 M OHM
R2	63-593	47 M OHM
R3	63-296	220 M OHM
R4	63-669	3.9 MEGOHM
R5	63-1034	VOLUME CONTROL
R6	63-604	1 MEGOHM
R7	63-271	1 MEGOHM
R8	63-600	2.2 MEGOHM
R9	63-1022	150 OHM WIREWOUND
R10	63-405	1000 OHM
R11	63-803	2200 OHM
R12	63-1033	2-SECTION CANOHM
R13		WAVEMAGNET ASSEMBLY
1	S7027	OSC. COIL ASSEMBLY
2	95-593	1ST I.F. TRANS.
3	95-584	2ND I.F. TRANS.
4		POWER SWITCH
5	65-180	
A		1ST I.F. TRANS. PRI.
B		1ST I.F. TRANS. SEC.
C		2ND I.F. TRANS. PRI.
D		2ND I.F. TRANS. SEC.
E		BROADCAST OSC. (ON GANG)
F		ANTENNA BROADCAST
G		

I.F. FREQUENCY 455 KC.

CHASSIS No. 5419

I.F. FREQUENCY 455 KC.

CHASSIS No. 5537

All measurements with 1000 ohms per volt meter — loop antenna not connected — volume at minimum — All readings made with fresh Zenith (part No. Z-59) battery pack with speaker in circuit.

All voltages measured from contact X on 1C56 tube socket to point indicated.

NOTE
 All voltages measured from point indicated to chassis using a 1000 ohm per volt meter.
 Antenna disconnected — volume control at minimum and condenser plates in full mesh.
 Line voltage — 110v.

I.F. FREQUENCY 455 KC.

CHASSIS No. 5537

FOR ALIGNMENT
 SEE INDEX

1/2 V. BATTERY PORTABLE

110VOLT AC. BATTERY PACK
 UNIVERSAL PORTABLE