

Schematic, Voltage Alignment, Socket Trimmers

ZENITH RADIO CORP.

MODELS 4K310, 4K331, 4K355, Chassis 5412

MODEL
4K310
4K355

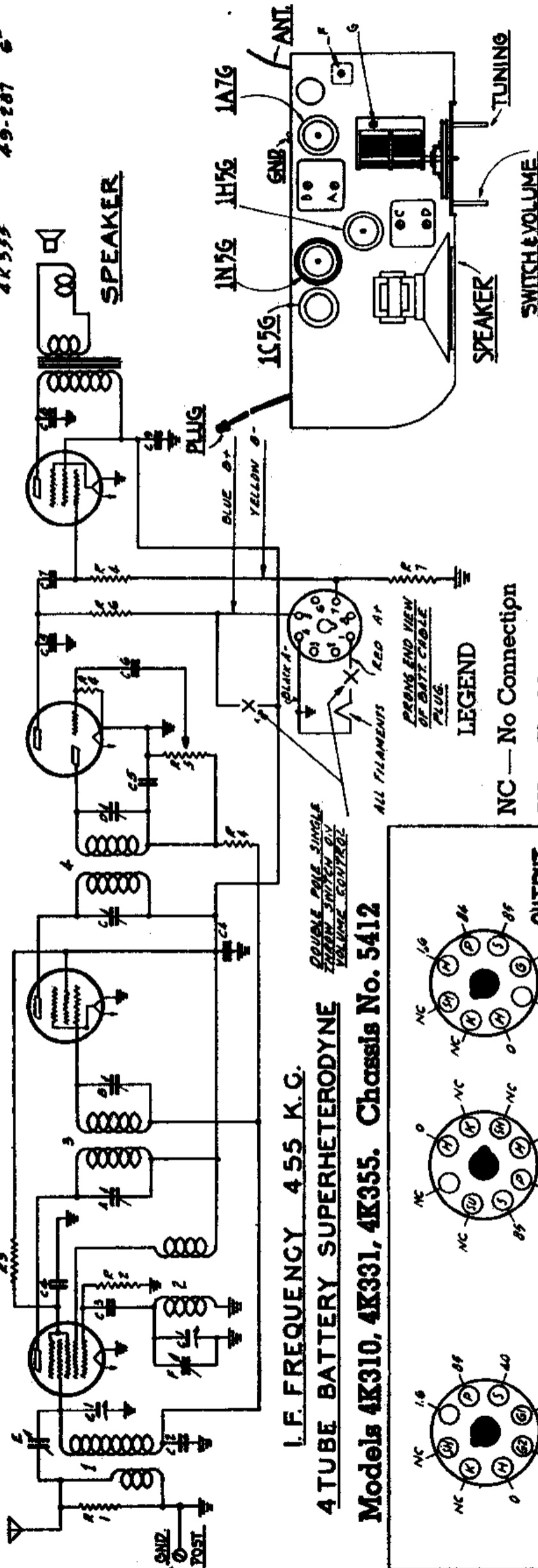
POWER-AMP
1C5G

DETECTOR-AMP
1H5G

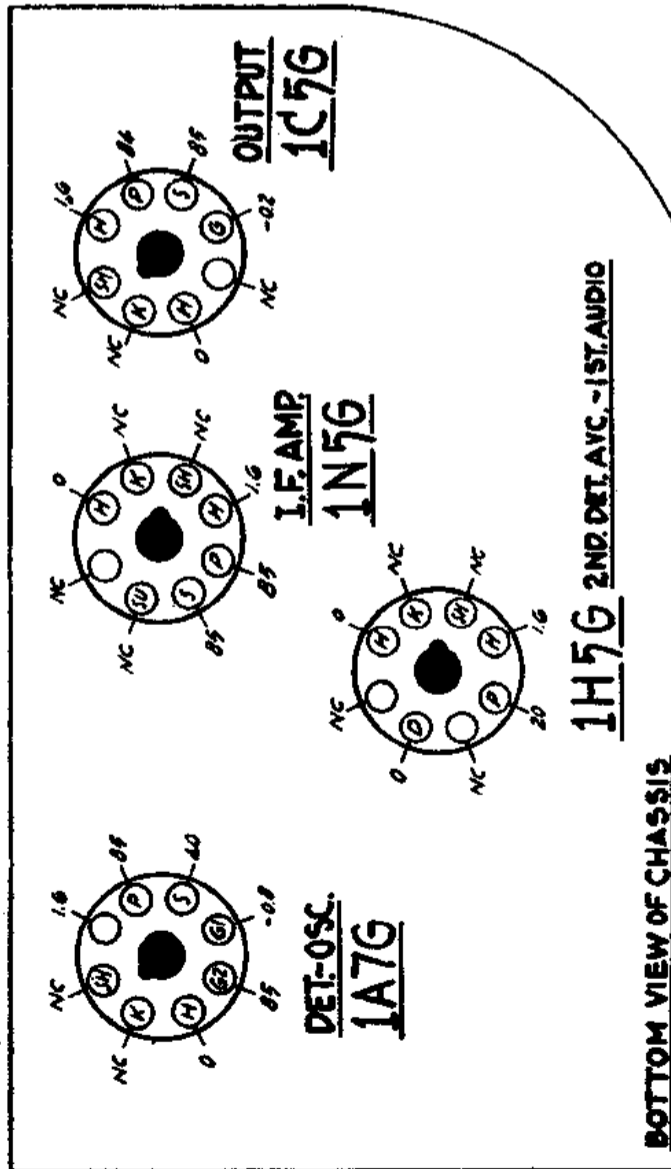
I.F.
1N5G

DETECTOR-OSCILLATOR
1A7G

SPEAKER
49-286 5"
49-287 6"



I.F. FREQUENCY 4.55 K.C.
4 TUBE BATTERY SUPERHETERODYNE
Models 4K310, 4K331, 4K355. Chassis No. 5412



BOTTOM VIEW OF CHASSIS

FRONT OF CHASSIS

NOTE

All voltages measured from point indicated to chassis using a 1000 ohm per volt meter.

Antenna disconnected — volume control at minimum and condenser plates in full mesh.

Location of tubes and trimmers

CHASSIS NO.	PART NO.	DESCRIPTION	CHASSIS NO.	PART NO.	DESCRIPTION
1	3-57M	ANTENNA COIL ASSEMBLY	C-1	22-178	2 GANG VARIABLE
2	3-58A1	OSCILLATOR COIL ASSEMBLY	C-2	22-250	.05 MFD
3	35-513	1ST. I.F. TRANSFORMER	C-3	22-182	.005 MFD
4	39-520	2ND I.F. TRANSFORMER	C-4	22-212	.05 MFD
5		SPEAKER TRANS. (ON SPEAKER)	C-5	27-182	.001 MFD
6			C-6	27-185	.01 MFD
7			C-7	22-249	.01 MFD
8			C-8	27-448	.005 MFD
9			C-9	27-684	5 MFD 50V. ELECT.
A		1ST. I.F. TRANS. PRIMARY	R-1	63-587	4700 OHM
B		1ST. I.F. TRANS. SECONDARY	R-2	63-588	180 M OHM
C		2ND. I.F. TRANS. PRIMARY	R-3	63-589	88 M OHM
D		2ND. I.F. TRANS. SECONDARY	R-4	63-590	2.2 MEG OHM
E		ANTENNA TRIMMER	R-5	63-591	400 M OHM MLC. CAP. 50V.
F		BROADCAST OSC. (ON GANG)	R-6	63-571	1 MEG OHM
			R-7	63-588	1000 OHM

ALIGNMENT PROCEDURE

Operation	Connect Test Oscillator to	Dummy Antenna	Set Test Osc. to	Band	Set Dial At	Adjust Trimmers	Purpose
1	1st Det. Grid	1/2 Mfd.	455	Br'dc't	600	ABCD	I. F. Alignment
2	Rec. Ant. Lead	200 Mmfd.	1500	"	1500	F	Set Osc. to Scale
3	"	200 Mmfd.	1500	"	1500	G	Align of Ant.