

Schematic, Voltage Alignment, Socket Trimmers

ZENITH RADIO CORP.

MODELS 4K310, 4K331, 4K355, Chassis 5412

MODEL
4K310
4K355

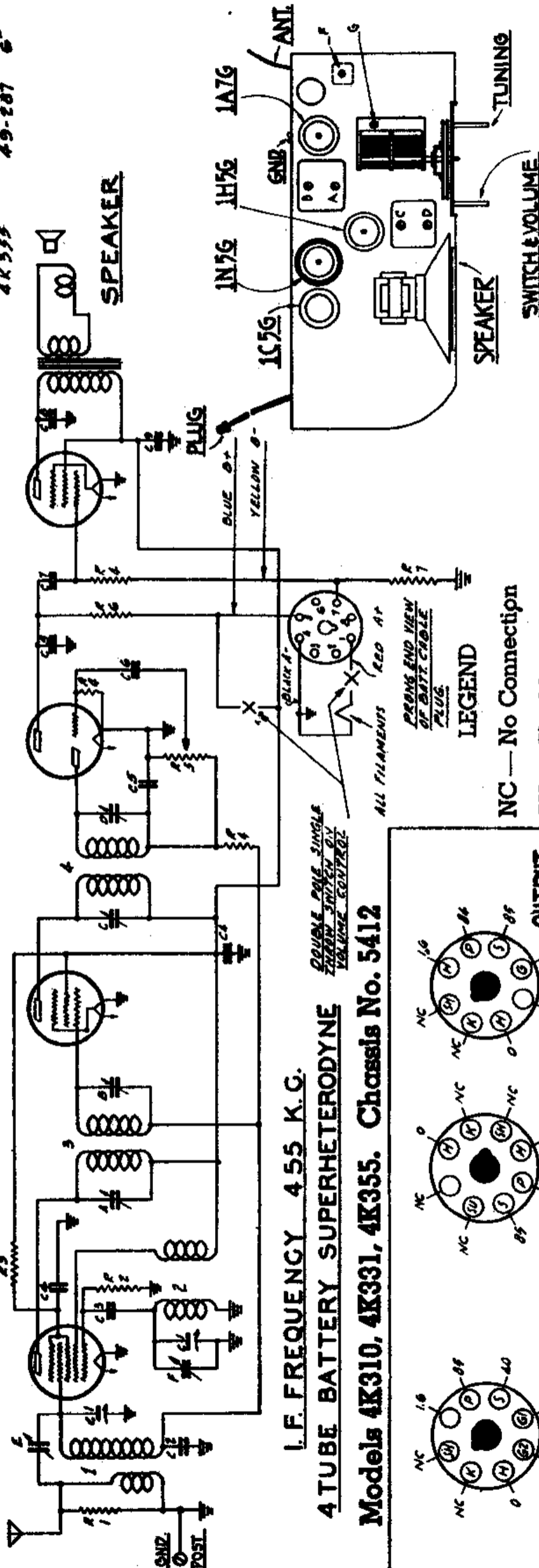
POWER-AMP
1C5G

DETECTOR-AMP
1H5G

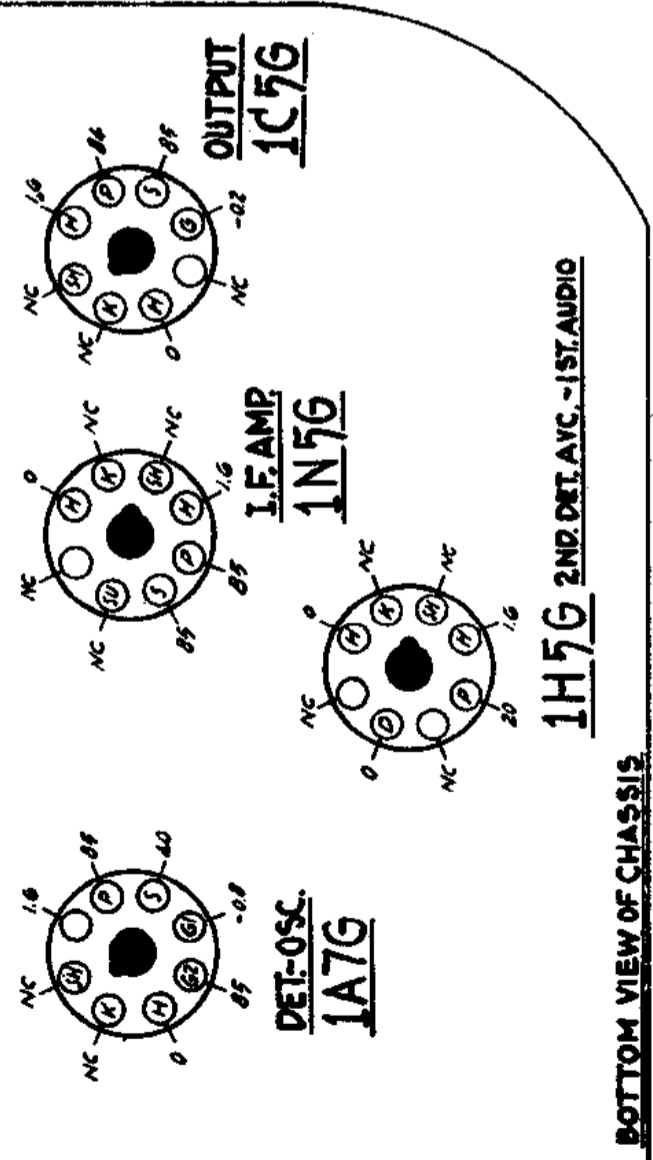
I.F.
1N5G

DETECTOR-OSCILLATOR
1A7G

SPEAKER
49-286 5"
49-287 6"



I.F. FREQUENCY 4.55 K.C.
4 TUBE BATTERY SUPERHETERODYNE
Models 4K310, 4K331, 4K355. Chassis No. 5412



- LEGEND**
- NC — No Connection
 - SH — Shield
 - H — Heater
 - P — Plate
 - S — Screen
 - G — Grid
 - SU — Suppressor
 - D — Diode
 - K — Cathode
 - F — Filament

Location of tubes and trimmers

CHASSIS NO.	PART NO.	DESCRIPTION
1	3-57M	ANTENNA COIL ASSEMBLY
2	3-58A	OSCILLATOR COIL ASSEMBLY
3	35-513	1ST. I.F. TRANSFORMER
4	35-510	2ND I.F. TRANSFORMER
5	35-512	SPEAKER TRANS. (ON SPEAKER)
6	35-511	SPEAKER TRANS. (ON SPEAKER)
7	35-514	1ST. I.F. TRANS. PRIMARY
8	35-515	1ST. I.F. TRANS. SECONDARY
9	35-516	2ND I.F. TRANS. PRIMARY
10	35-517	2ND I.F. TRANS. SECONDARY
11	35-518	ANTENNA TRIMMER
12	35-519	BROADCAST OSC. (ON GANG)

ALIGNMENT PROCEDURE

All voltages measured from point indicated to chassis using a 1000 ohm per volt meter.

Operation	Connect Test Oscillator to	Dummy Antenna	Set Test Osc. to	Band	Set Dial At	Adjust Trimmers	Purpose
1	1st Det. Grid	1/2 Mfd.	455	Br'dc't	600	ABCD	I. F. Alignment
2	Rec. Ant. Lead	200 Mmfd.	1500	"	1500	F	Set Osc. to Scale
3	"	200 Mmfd.	1500	"	1500	G	Align of Ant.

NOTE

All voltages measured from point indicated to chassis using a 1000 ohm per volt meter. Antenna disconnected — volume control at minimum and condenser plates in full mesh.