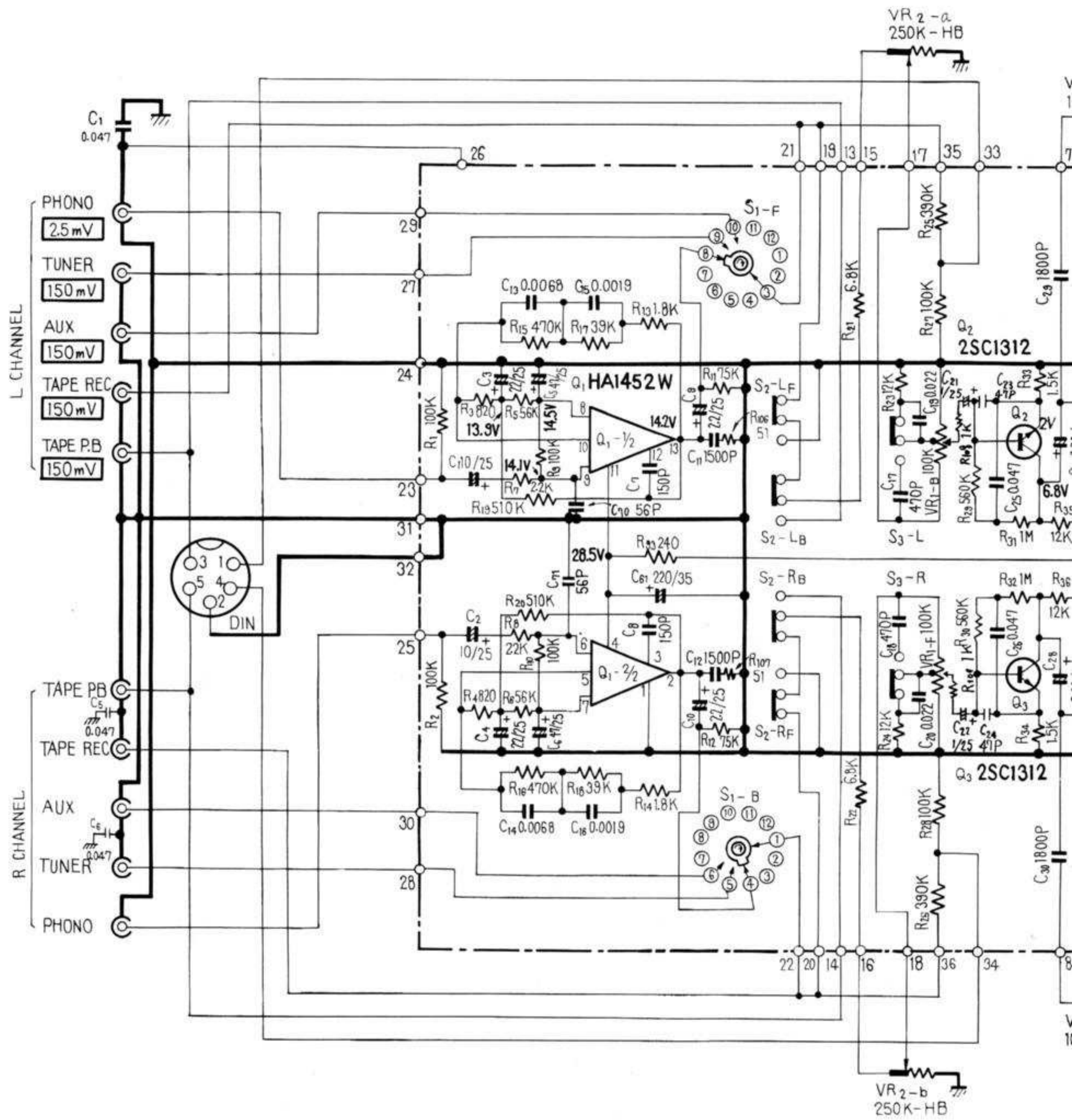


# SA-5300

FA  
FP  
FV



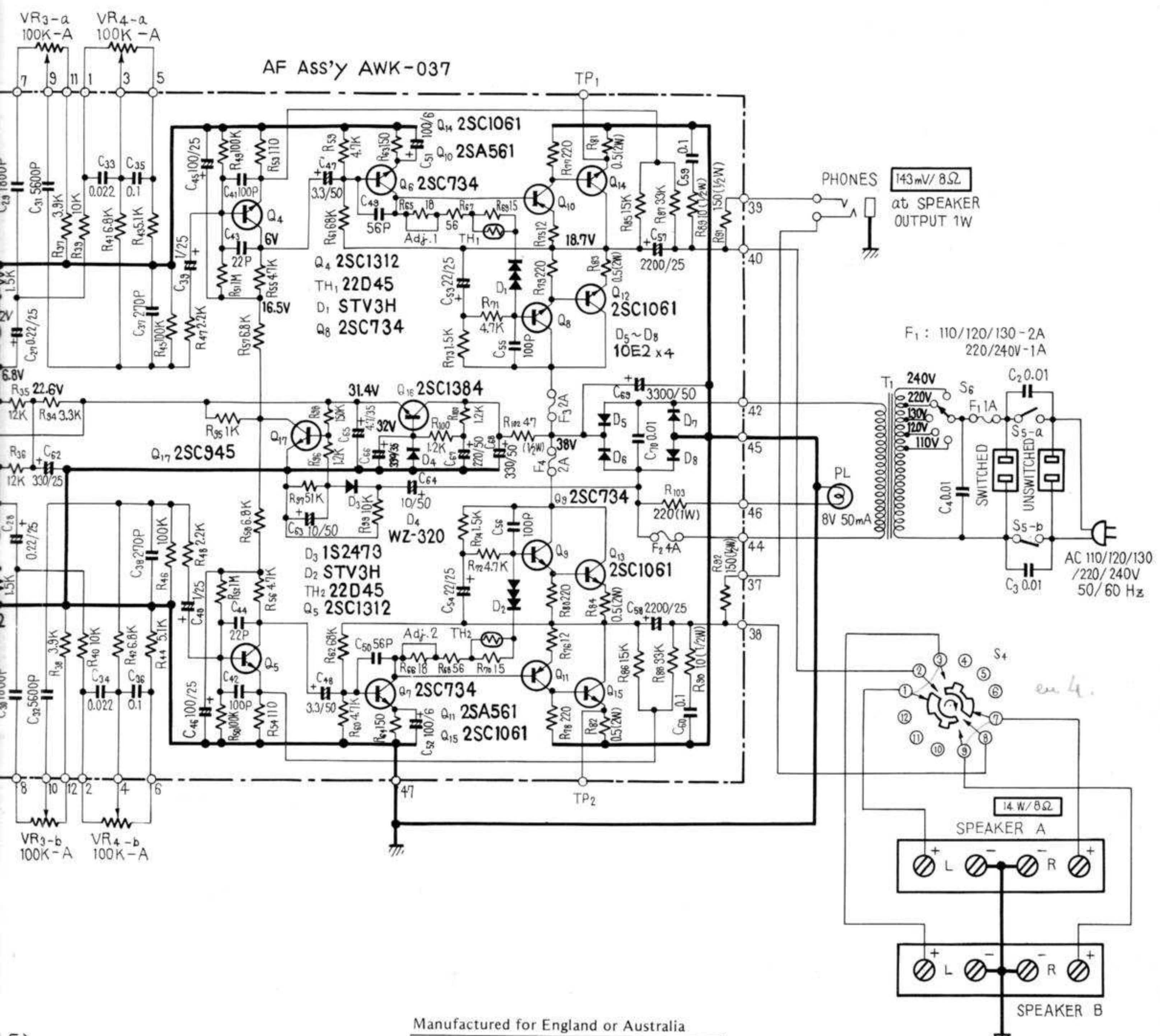
### SWITCHES

- S<sub>1</sub> FUNCTION
  - 1. PHONO 2. TUNER 3. AUX
- S<sub>2</sub> TAPE MONITOR
  - OFF ↔ ON
- S<sub>3</sub> LOUDNESS
  - OFF ↔ ON
- S<sub>4</sub> SPEAKERS
  - 1. OFF 2. A 3. B 4. A+B
- S<sub>5</sub> POWER
  - OFF ↔ ON
- S<sub>6</sub> VOLTAGE SELECTOR
  - 1. 110V 2. 120V 3. 130V 4. 220V 5. 240V

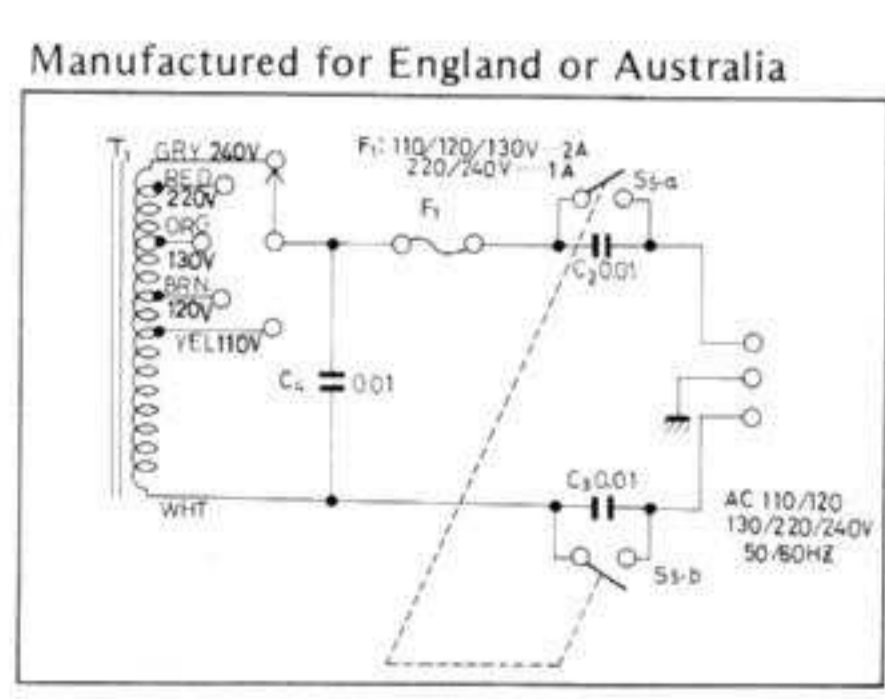
### POTENTIOMETERS

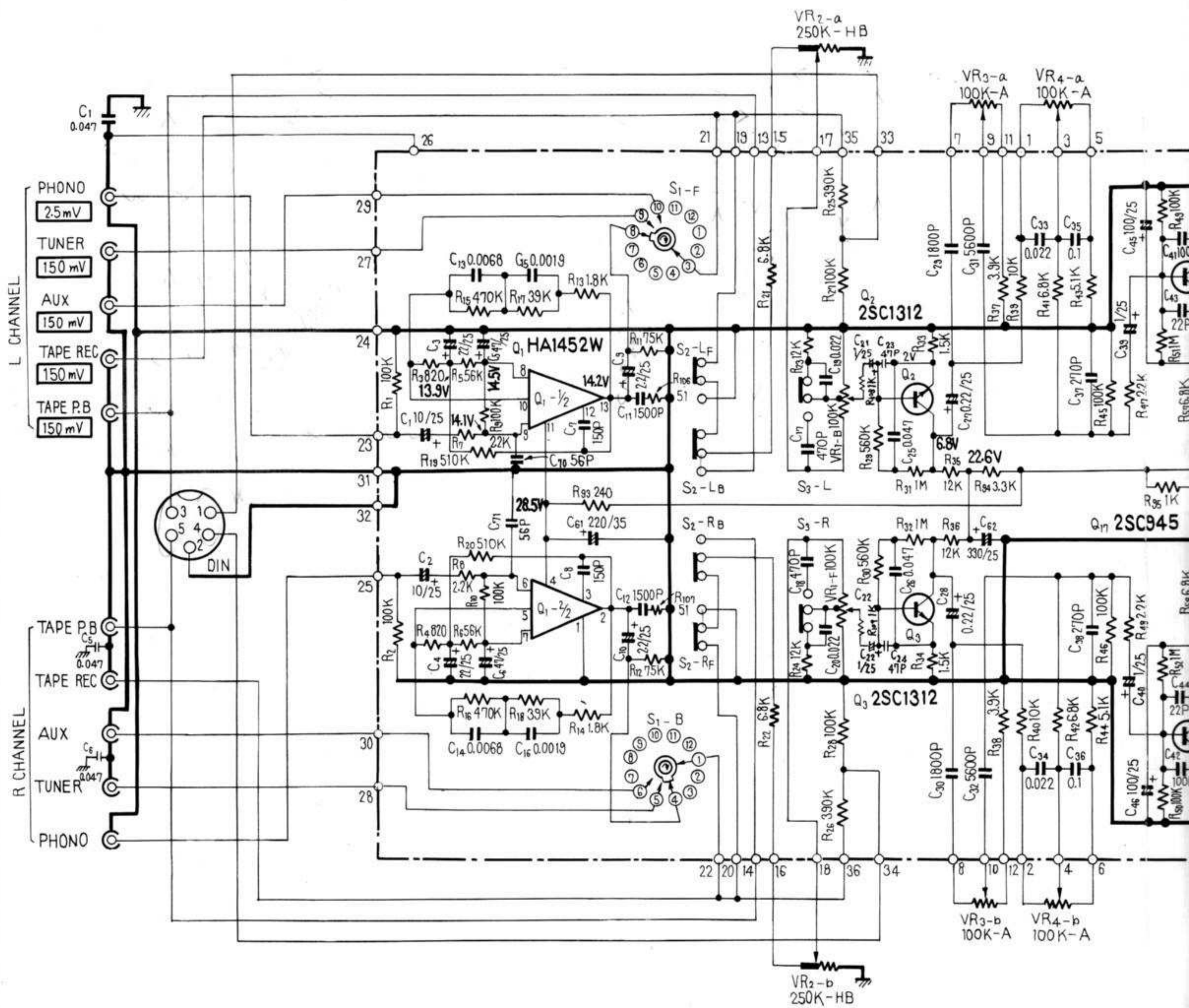
- VR<sub>1</sub> VOLUME
- VR<sub>2</sub> BALANCE
- VR<sub>3</sub> TONE (TREBLE)
- VR<sub>4</sub> TONE (BASS)

- V DC VOLTAGE AT
- ( V ) DC VOLTAGE AT
- ← DC CURRENT AT
- SIGNAL VOLTAGE



LE)  
 AT NO INPUT SIGNAL  
 AT 14W/8Ω OUTPUT POWER (1KHz)  
 AT NO INPUT SIGNAL  
 GE





SWITCHES

- S<sub>1</sub> FUNCTION
  - 1. PHONO 2. TUNER 3. AUX
- S<sub>2</sub> TAPE MONITOR
  - OFF ↔ ON
- S<sub>3</sub> LOUDNESS
  - OFF ↔ ON
- S<sub>4</sub> SPEAKERS
  - 1. OFF 2. A 3. B 4. A + B
- S<sub>5</sub> POWER
  - OFF ↔ ON

POTENTIOMETERS

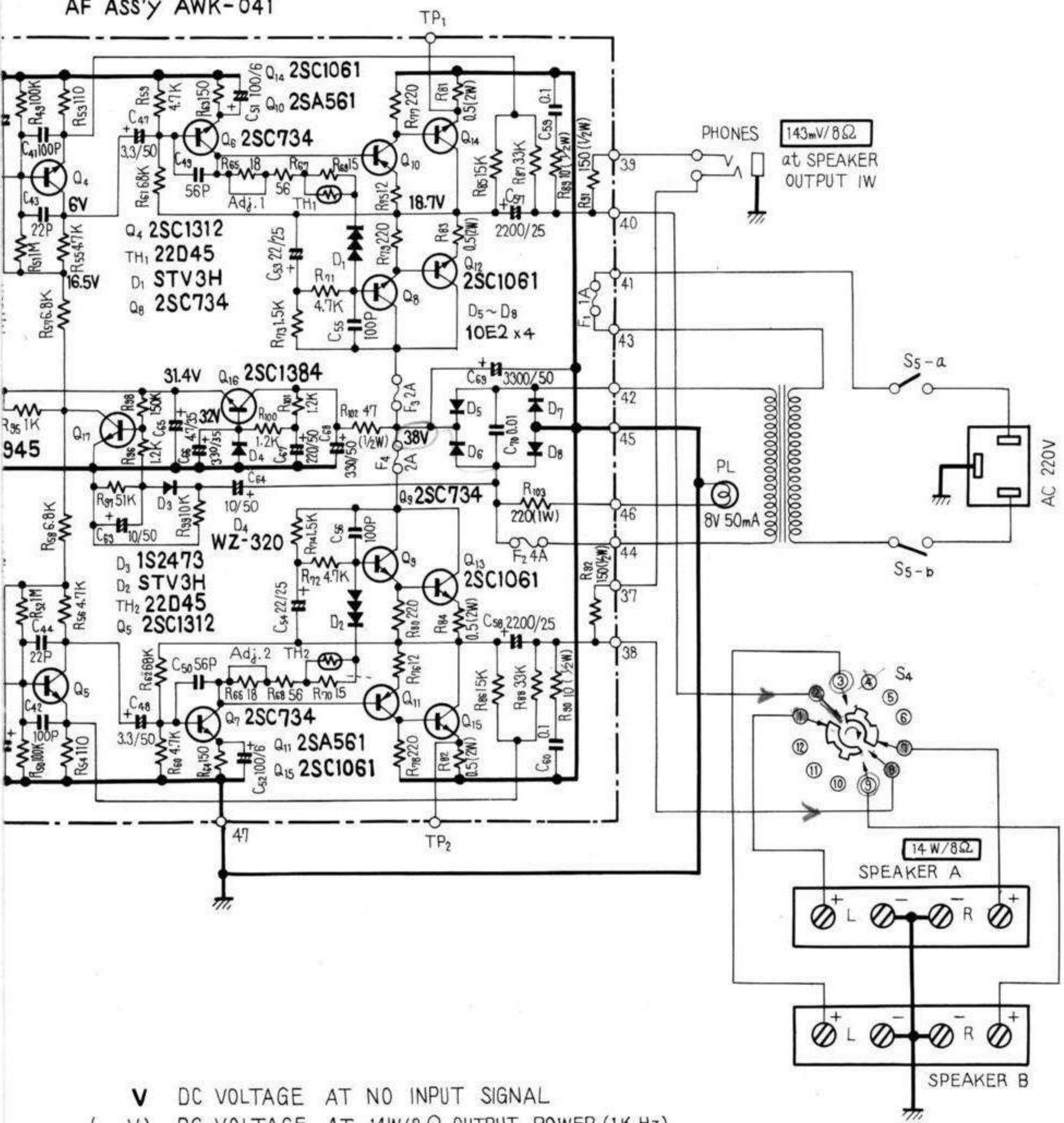
- VR<sub>1</sub> VOLUME
- VR<sub>2</sub> BALANCE
- VR<sub>3</sub> TONE (TREBLE)
- VR<sub>4</sub> TONE (BASS)

# SA-5300

GN

PIONEER

AF ASS'Y AWK-041



PHONES 143mV/8Ω  
at SPEAKER OUTPUT 1W

14 W/8Ω  
SPEAKER A

SPEAKER B