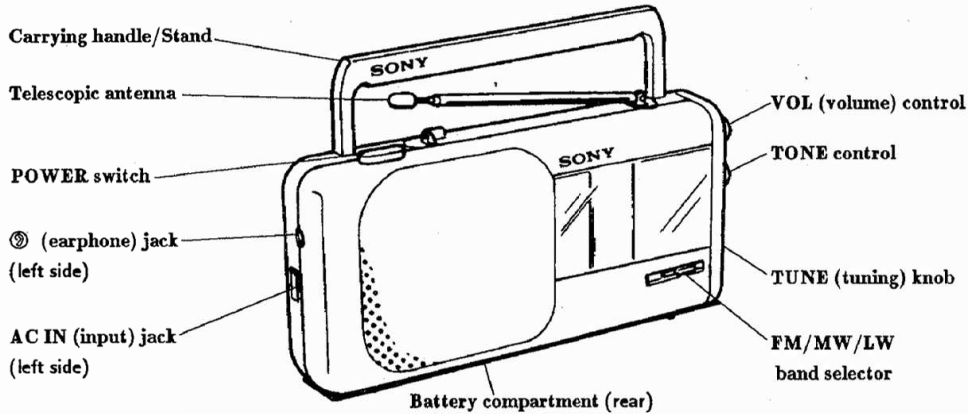


# ICF-760L

## SERVICE MANUAL

AEP Model  
UK Model



- ICF-760L is almost the same as ICF-750L.  
Refer to ICF-750L Service Manual and Supplement-1 previously issued for the information of this set.
- Only following parts differ from those in ICF-750L.

No.	Part No.	Description
1	X-3902-106-1	(AEP,French : WHITE)..... CASE (FRONT) ASSY
1	X-3902-106-2	(AEP,French : GRAY)..... CASE (FRONT) ASSY
1	X-3902-106-3	(AEP,French : BLACK)..... CASE (FRONT) ASSY
1	X-3902-107-1	(UK : WHITE)..... CASE (FRONT) ASSY
1	X-3902-107-2	(UK : GRAY)..... CASE (FRONT) ASSY
1	X-3902-107-3	(UK : BLACK)..... CASE (FRONT) ASSY
2	3-898-918-41	KNOB, BAND
15	3-398-915-11	KNOB, POWER
25	3-902-114-01	(AEP).....CASE, REAR
25	3-902-114-11	(French).....CASE, REAR
25	3-902-114-21	(UK) .....CASE, REAR

No.	Part No.	Description
27	X-3902-102-1	KNOB ASSY (VOL),CONTROL
28	X-3902-101-1	KNOB ASSY (TONE),CONTROL
30	3-898-937-21	CASE, SIDE
31	*3-898-935-21	PLATE, BACK
35	3-898-932-51	POINTER

### ELECTRICAL PARTS

Ref.No.	Part No.	Description
SP1	1-503-915-21	SPEAKER

### ACCESSORY & PACKING MATERIAL

Part No.	Description
3-750-953-11	MANUAL, INSTRUCTION (English, French, Spanish, Portuguese)
3-750-953-41	(AEP)..... MANUAL, INSTRUCTION (Dutch, Swedish, German)
*3-902-119-01	INDIVIDUAL CARTON

- Items marked "\*" are not stocked since they are seldom required for routine service. Some delay should be anticipated when ordering these items.

FM/MW/LW 3BAND RECEIVER  
**SONY**®



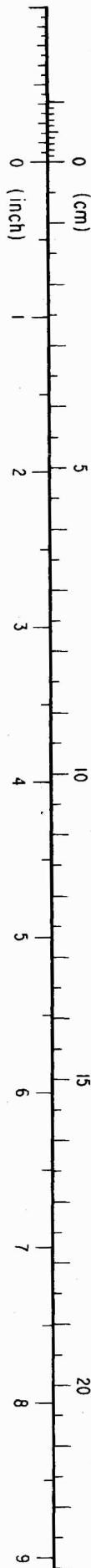
9-955-576-11

Sony Corporation  
Audio Group

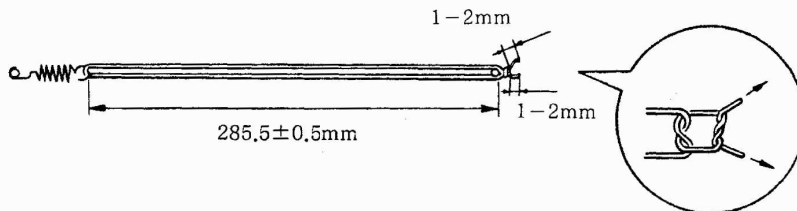
English  
89J0451-1  
Printed in Japan  
© 1989.10

Published by Customer Relations and Service Group

**SECTION 1  
DIAL CORD STRINGING**

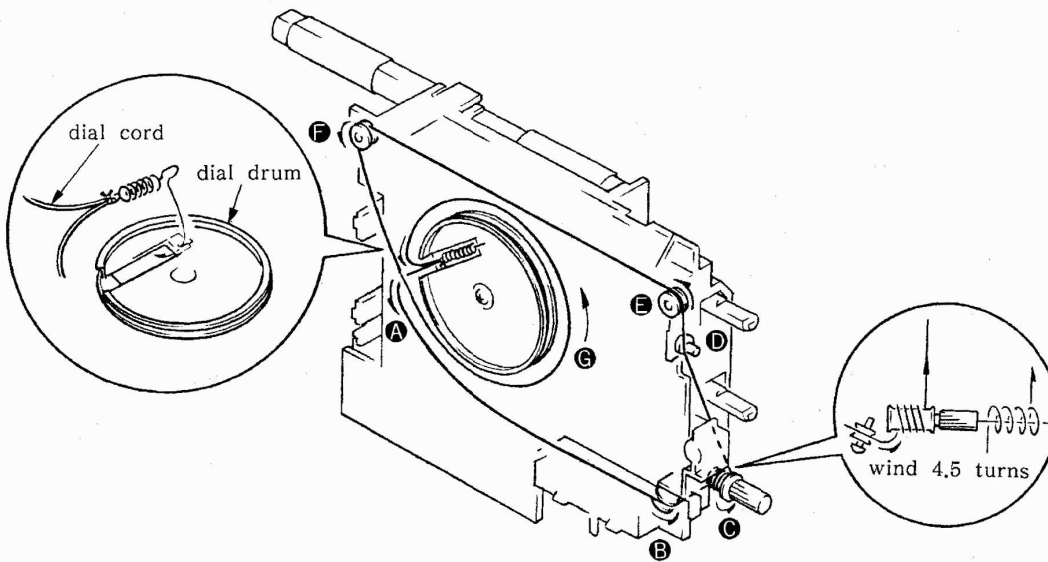


**1. Preparation**



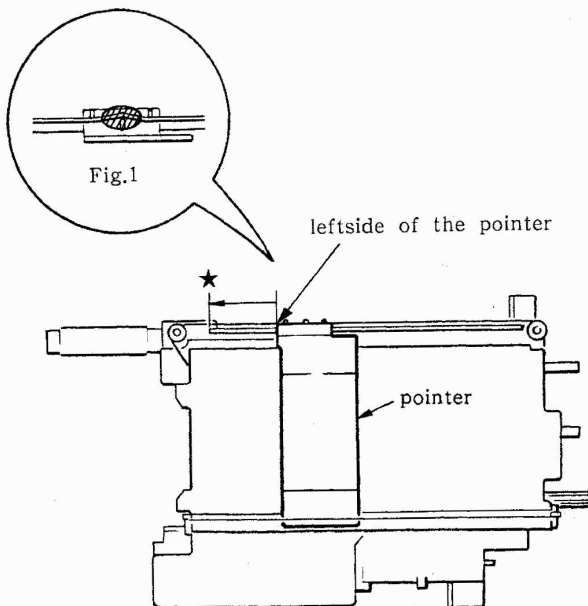
**2. Stringing**

- 1) Turn the dial drum fully counterclockwise.
- 2) Hook the spring to the dial drum. String the dial cord in the numerical order given.



**3. Dial Pointer Installation**

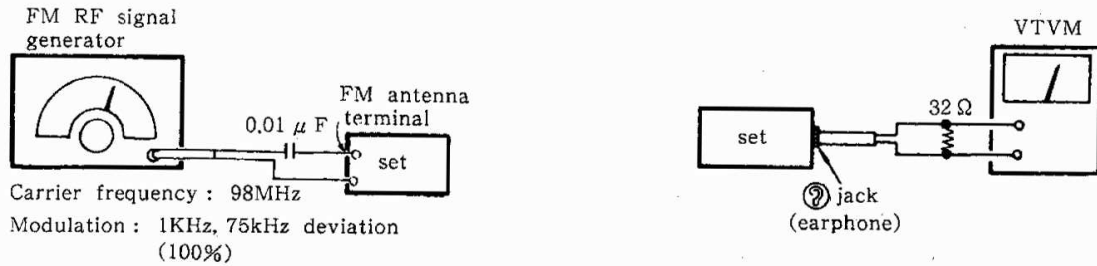
- 1) Turn the tuning knob fully counterclockwise.
- 2) Set the pointer.
- 3) Set the leftside of the pointer to ★ mark.
- 4) Secure the portion ● of the pointer with locking compound after setting the pointer (see Fig.1).



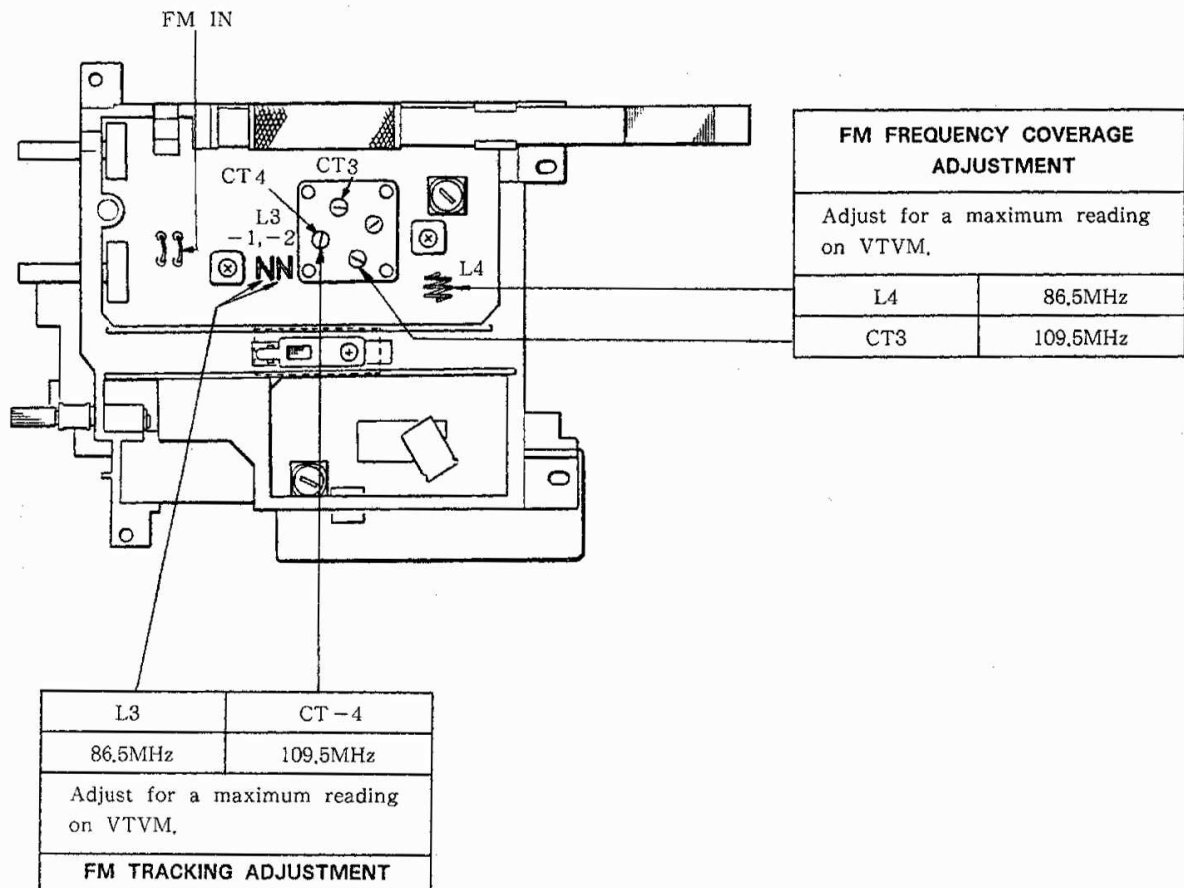
## SECTION 2 ELECTRICAL ADJUSTMENTS

**FM**

BAND switch : FM



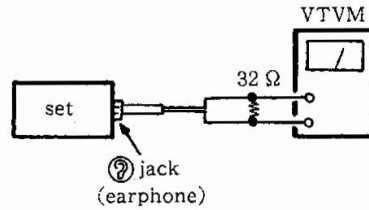
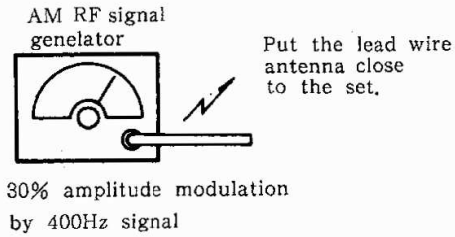
- Repeat the procedures in each adjustment several times, and the frequency coverage and tracking adjustments should be finally done by the trimmer capacitors.



# ICF-760L

**MW/LW**

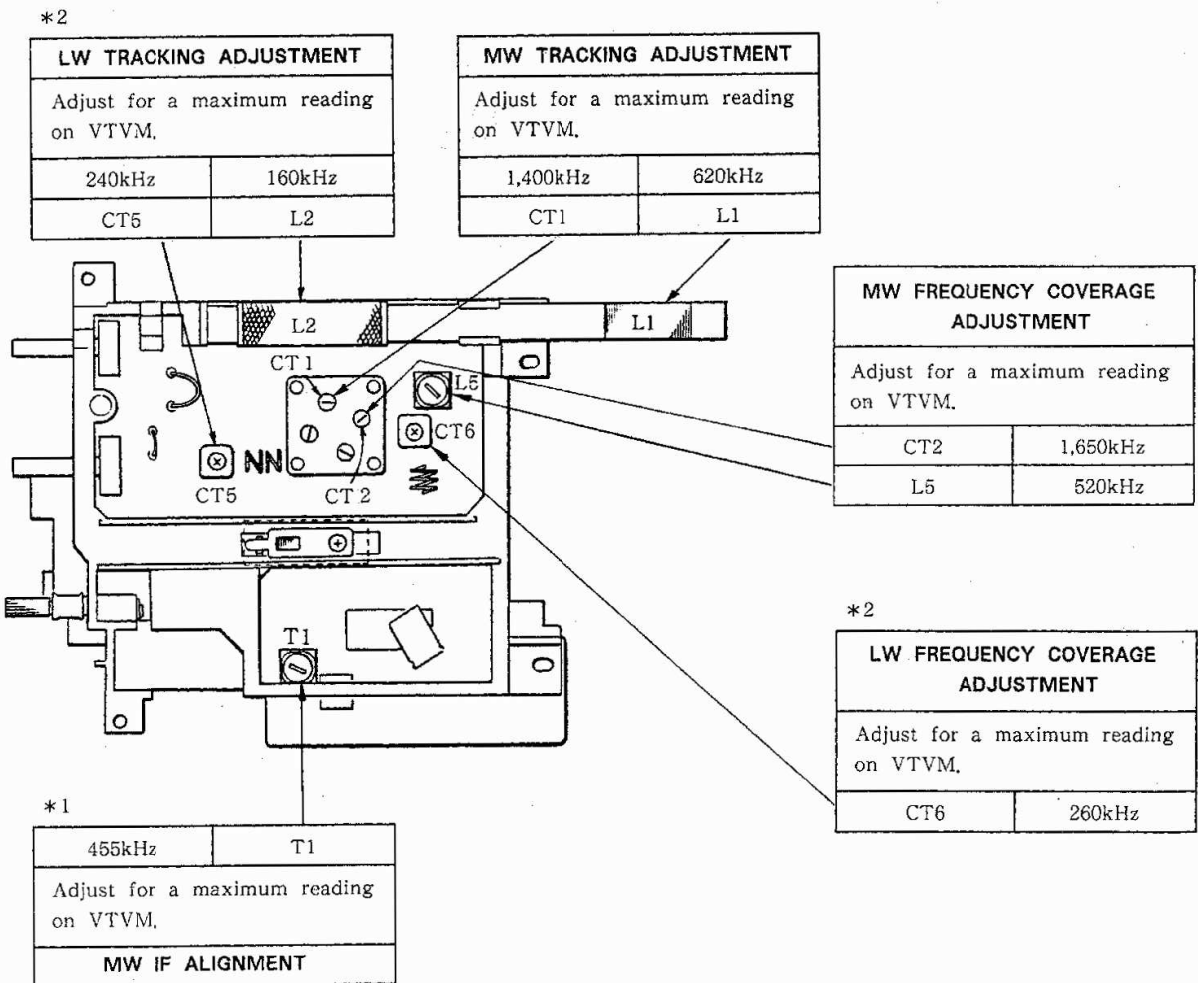
BAND SWITCH : MW, LW



**Note :** MW IF alignment should be made before making frequency coverage and traking adjustments.(\*1)

● Repeat the procedures in each adjustment several times ,and the frequency coverage and tracking adjustments should be finally done by the trimmer capacitors.

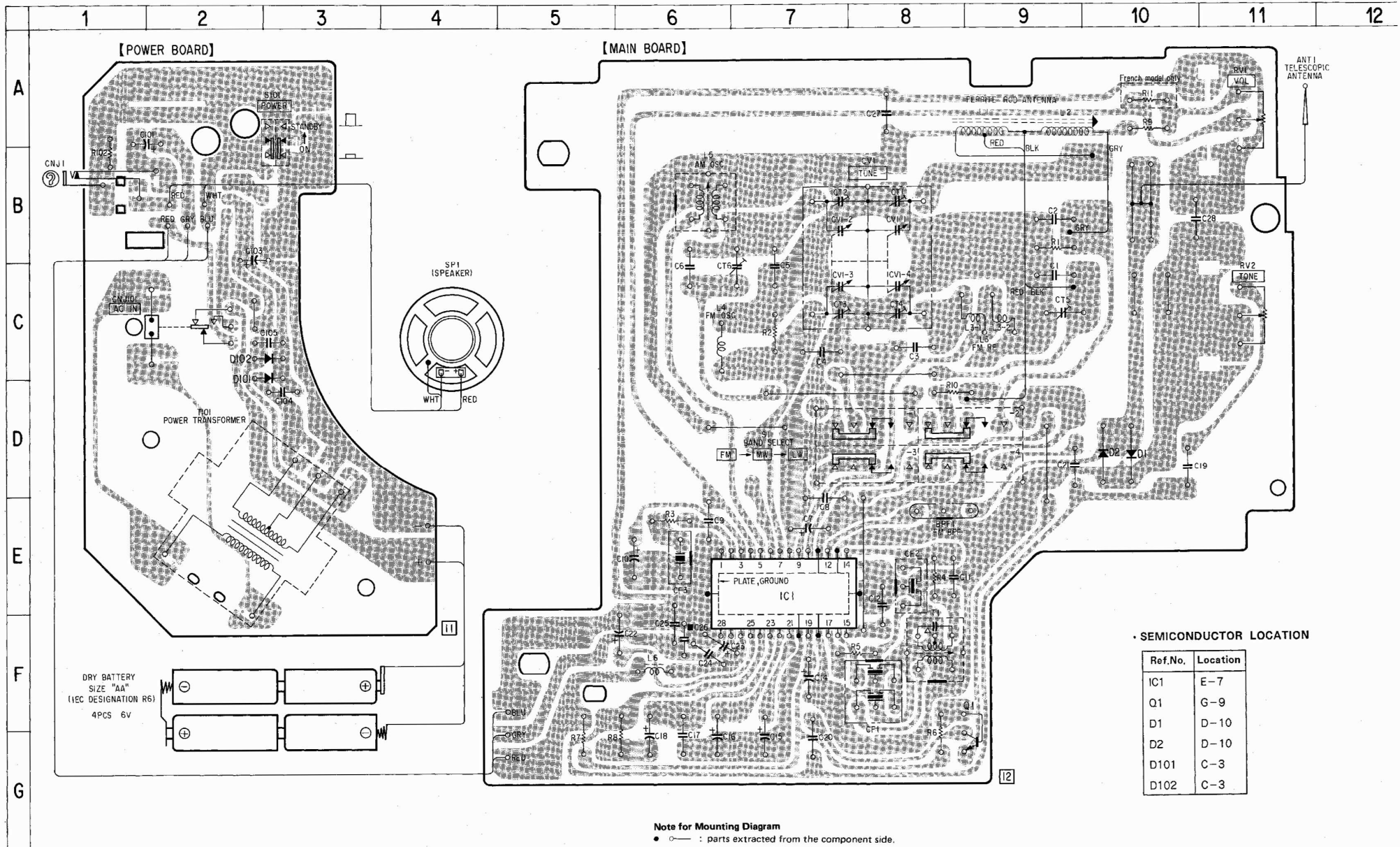
**Note :** LW adjustment should be made after making MW adjustments.(\*2)



# ICF-760L ICF-760L

## SECTION 3 DIAGRAMS

3-1. MOUNTING DIAGRAM. ● See page 7 for note and Semiconductor Lead Layout.

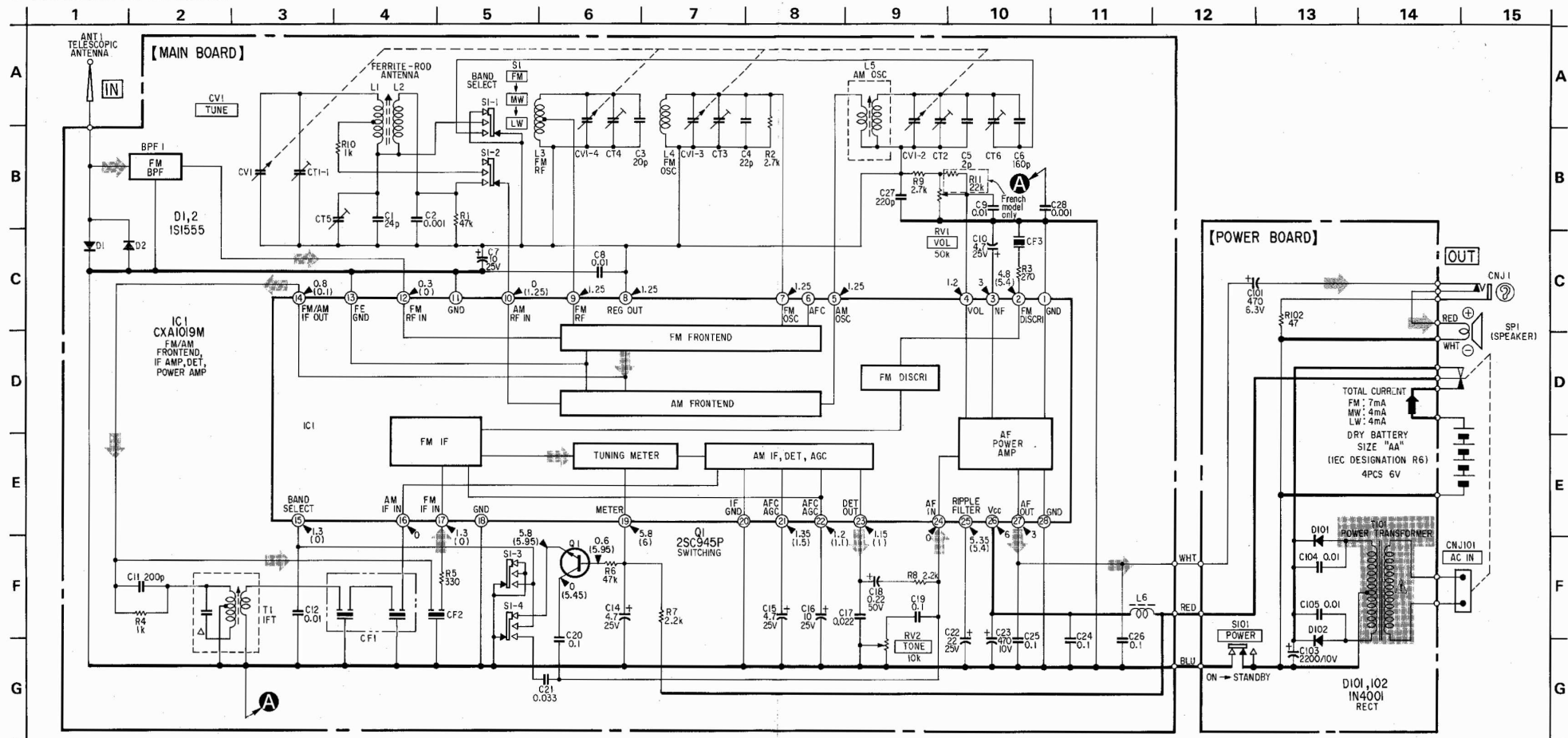


### Note for Mounting Diagram

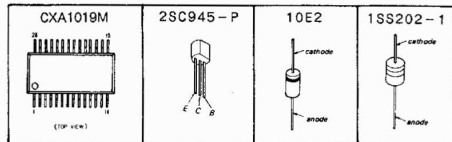
- — : parts extracted from the component side.
- — : parts extracted from the conductor side.
- : part mounted on the conductor side.
- ⊕ : indicates side identified with part number.

# ICF-760L ICF-760L

## 3-2. SCHEMATIC DIAGRAM.



### Semiconductors Lead Layout



### Note for Schematic Diagram

- All capacitors are in  $\mu\text{F}$  unless otherwise noted.  $\text{pF}$ ;  $\mu\text{F}$  50WV or less are not indicated except for electrolytics and tantalums.
- All resistors are in  $\Omega$  and  $\frac{1}{2}\text{W}$  or less unless otherwise specified.
- : signal path.
- △ : internal component.
- Switch**
- Voltagages are dc with respect to ground unless otherwise noted.
- Readings are taken under no-signal (detuned) conditions with a VOM (50k $\Omega$ /V).
- ( ) : MW, LW no-mark: FM
- Voltage variations may be noted due to normal production tolerances.

Ref. No.	Switch	Position
S1	POWER	ON
S101	BAND SELECT	FM

Note: The components identified by shading and mark **△** are critical for safety. Replace only with part number specified.