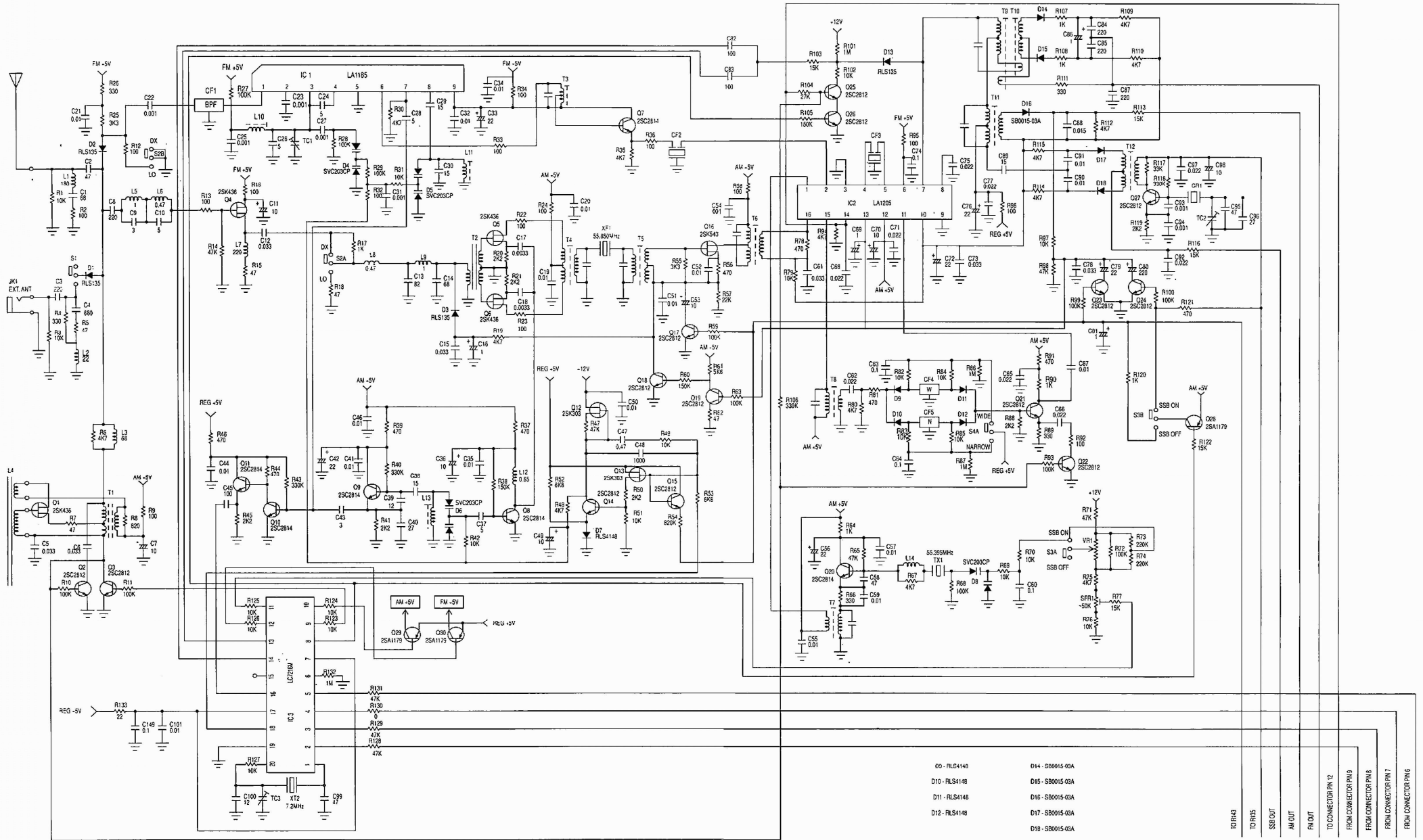


Schaltplan HF-Teil / Circuit Diagram RF Part



- D0 - RL84148
- D10 - RLS4148
- D11 - RLS4148
- D12 - RLS4148
- D14 - SB8015-03A
- D15 - SB8015-03A
- D16 - SB8015-03A
- D17 - SB8015-03A
- D18 - SB8015-03A

- TO RH4
- TO BUS
- SSB OUT
- AM OUT
- FM OUT
- TO CONNECTOR PM 12
- FROM CONNECTOR PM 9
- FROM CONNECTOR PM 8
- FROM CONNECTOR PM 7
- FROM CONNECTOR PM 6

zu S. 3-4 / to p. 3-4

Schaltplan NF-Teil, Bedienteil und Spannungsversorgung/Circuit Diagram AF Part, Operating Part and Power Supply

zu S. 3-2 / to p. 3-2

