

# TASCAM

TEAC Production Products

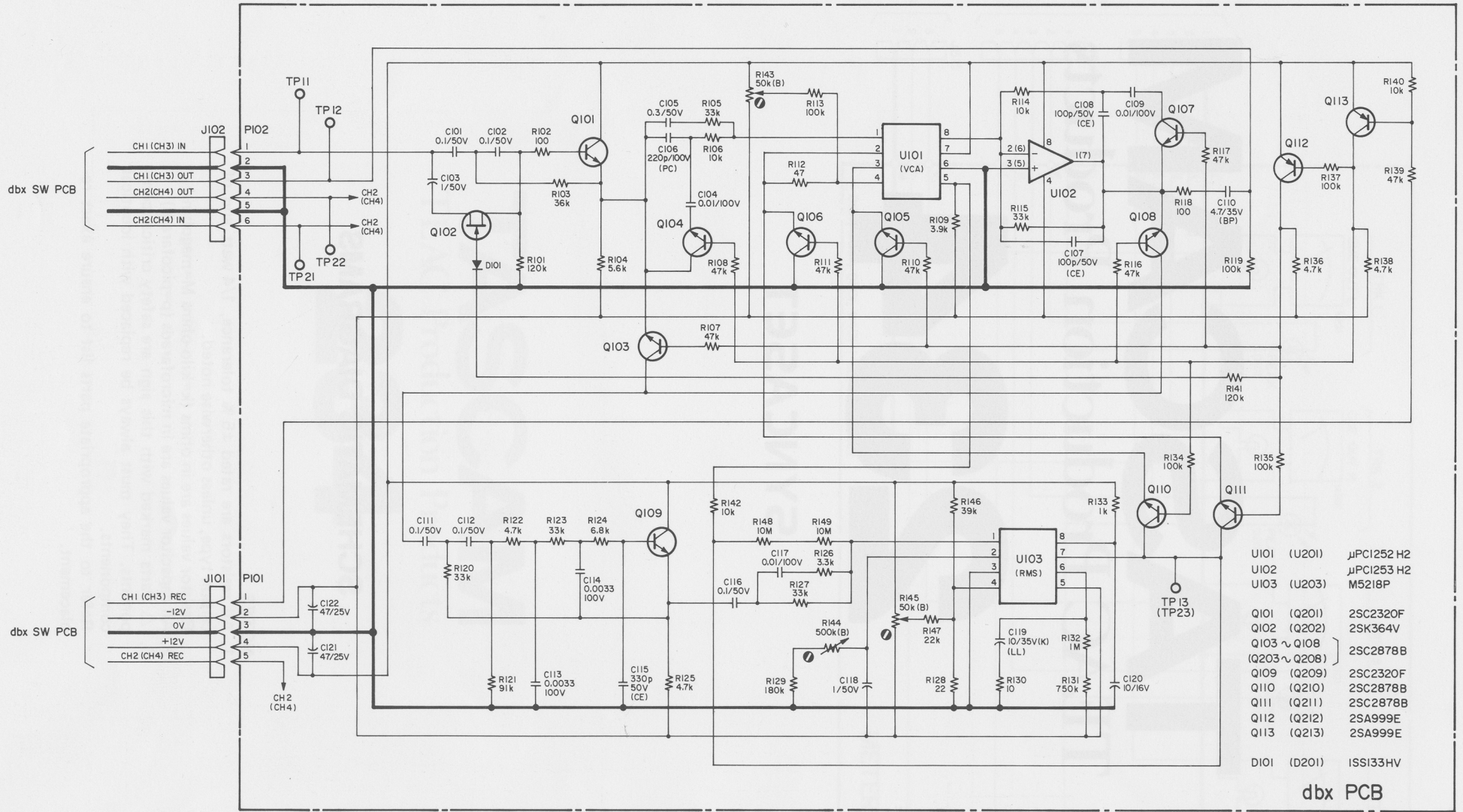
# 234

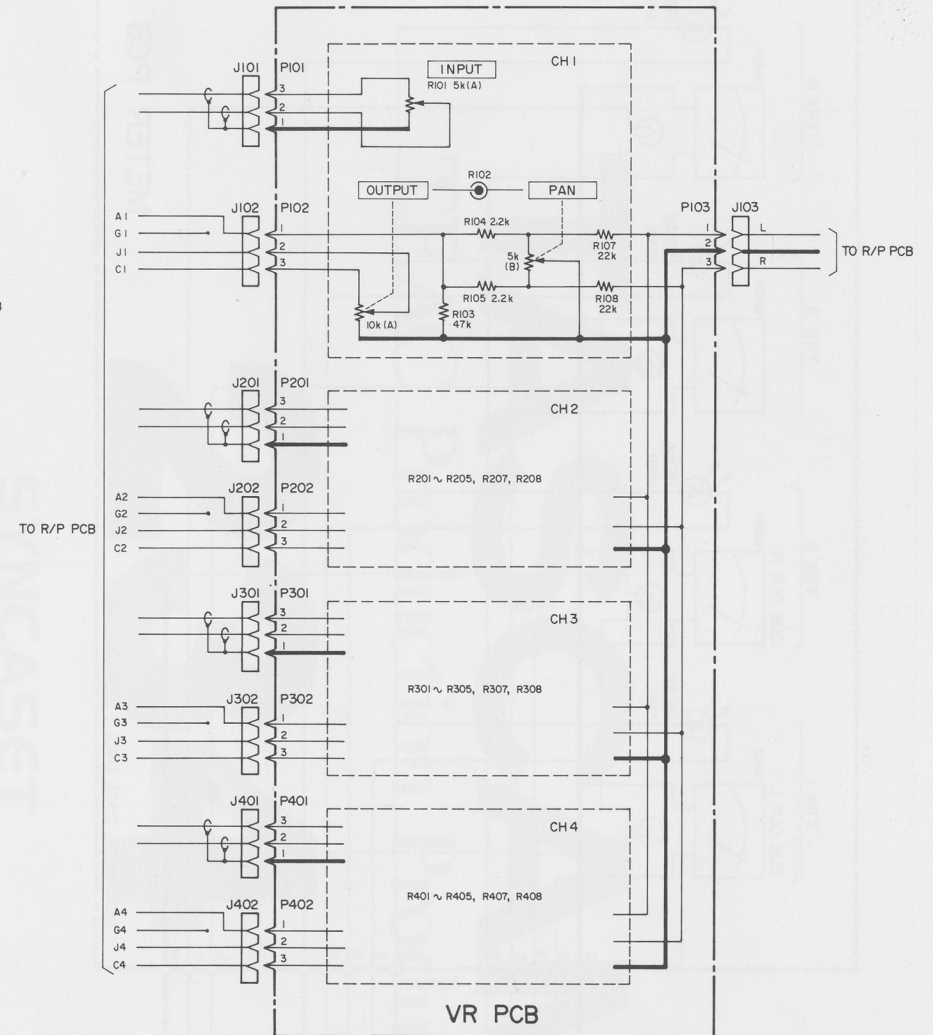
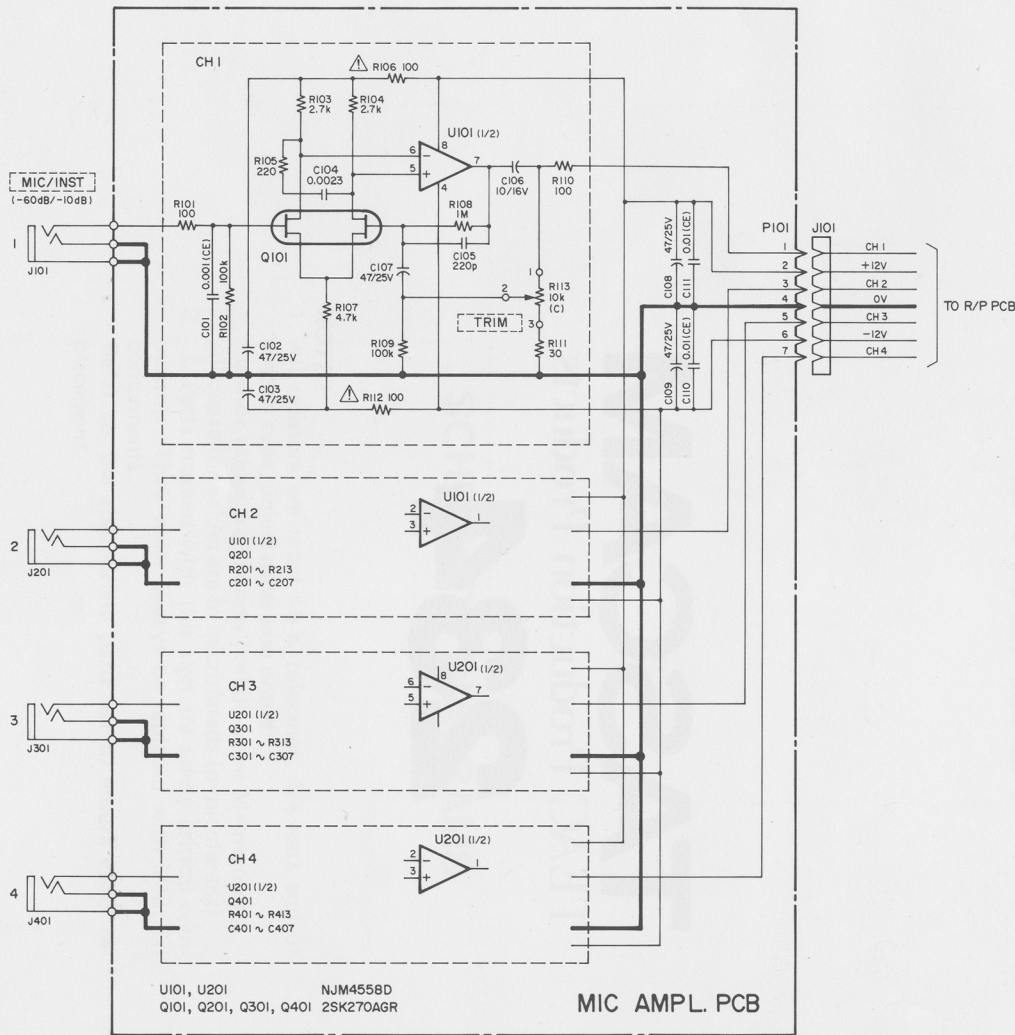
## SYNCASET

### SCHEMATIC DIAGRAMS

#### NOTES

1. All resistors are rated  $\pm 5\%$  tolerance, 1/4 watt and of carbon type, unless otherwise noted.  
Resistor values are in ohms (k=kilo-ohms M=megohms).
2. All capacitor values are in microfarads (p=picofarads).
3.  $\triangle$  Parts marked with this sign are safety critical components. They must always be replaced with identical components.  
Refer to the appropriate parts list to ensure exact replacement.



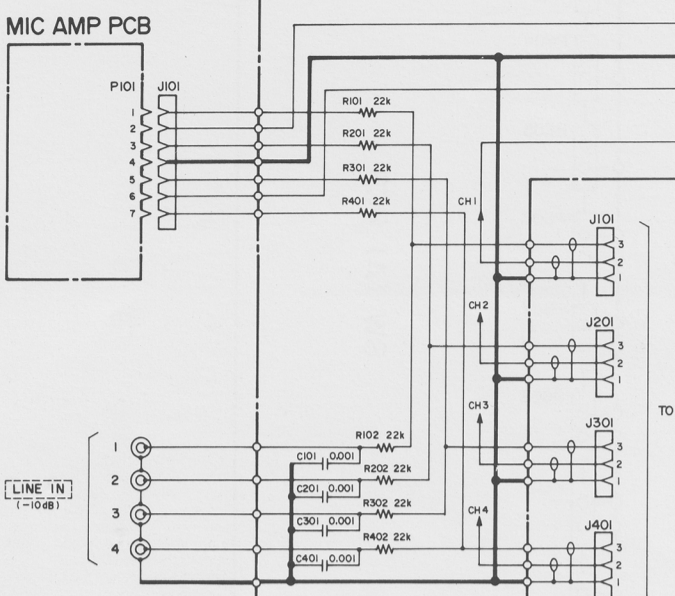
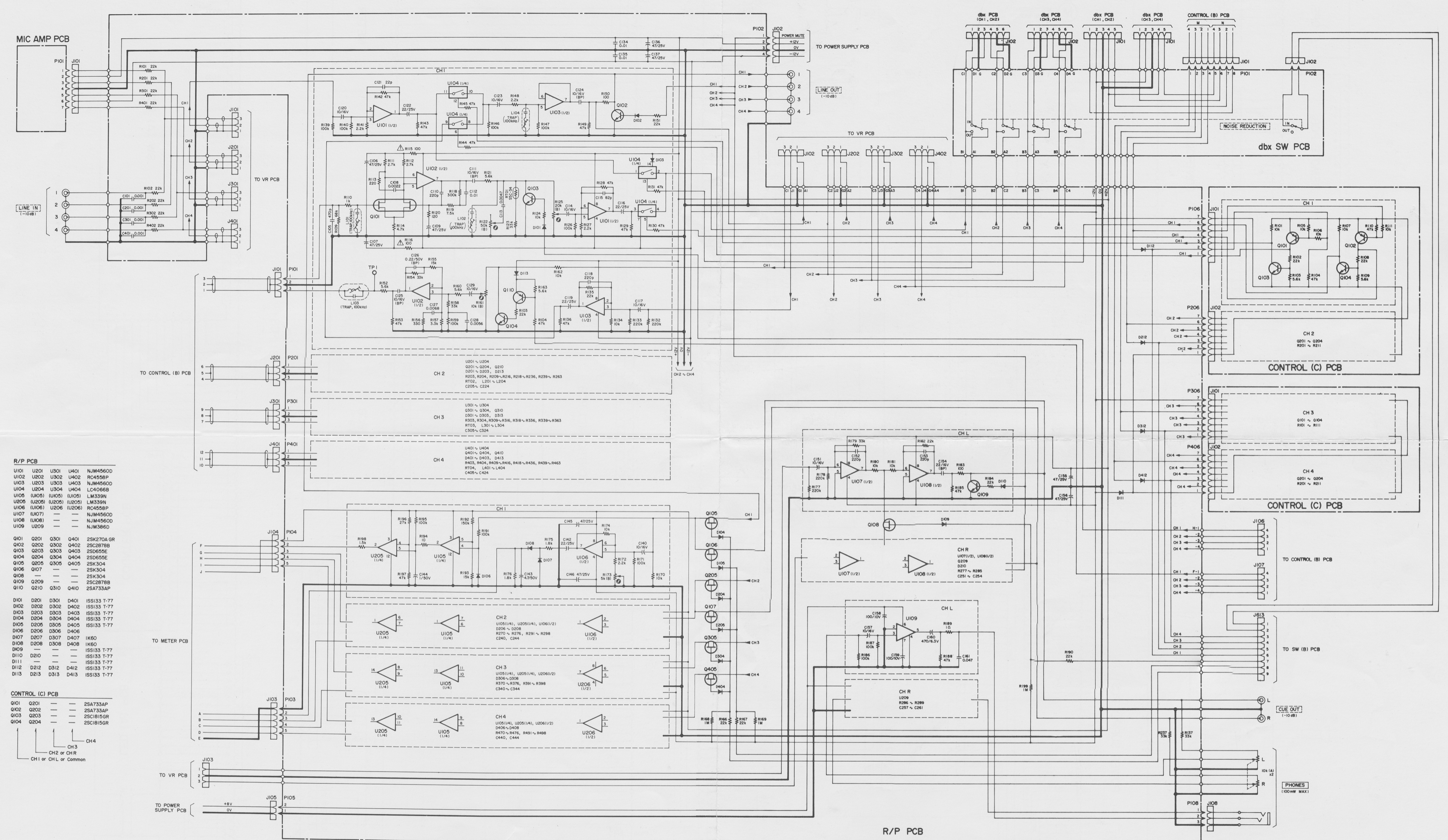


Modification to inhibit CH4 in "CUE Out" GB 3/1/84

(1) A4 (VR PCB, CH4) was cut and taken through the SPARE CONTACTS ON THE "CUE" SWITCH (SW(A)PCB). THE "CUE" SWITCH ∴ REMOVES/INSERTS CH4 IN THE "CUE OUT" MIX.

(2) THE WIRE ON THE MONO SIDE OF THE "CUE" SWITCH WAS BROKEN - STEREO ONLY NOW. (o/c).

Note: Mod reverted 5 Apr 2012.



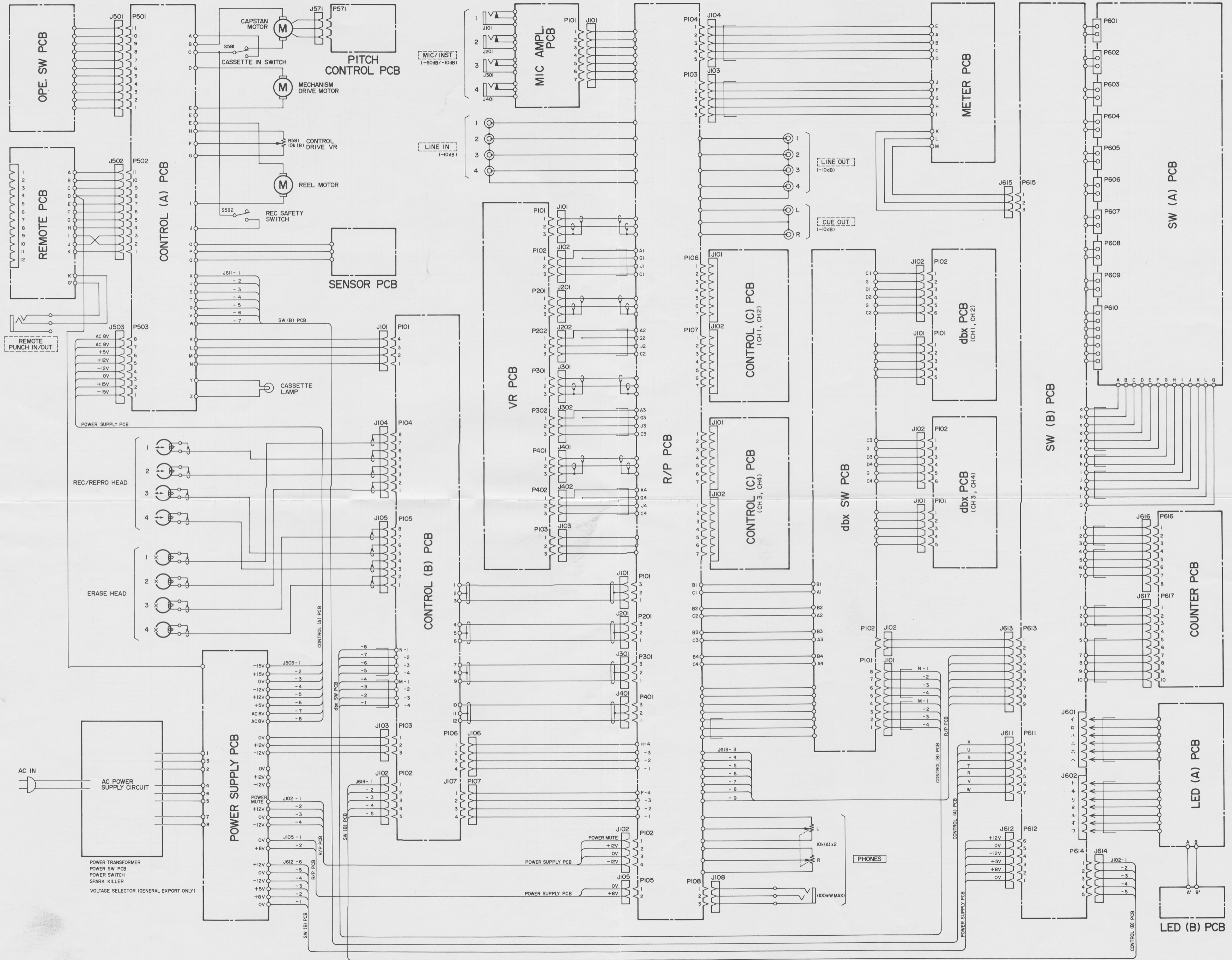
**R/P PCB**

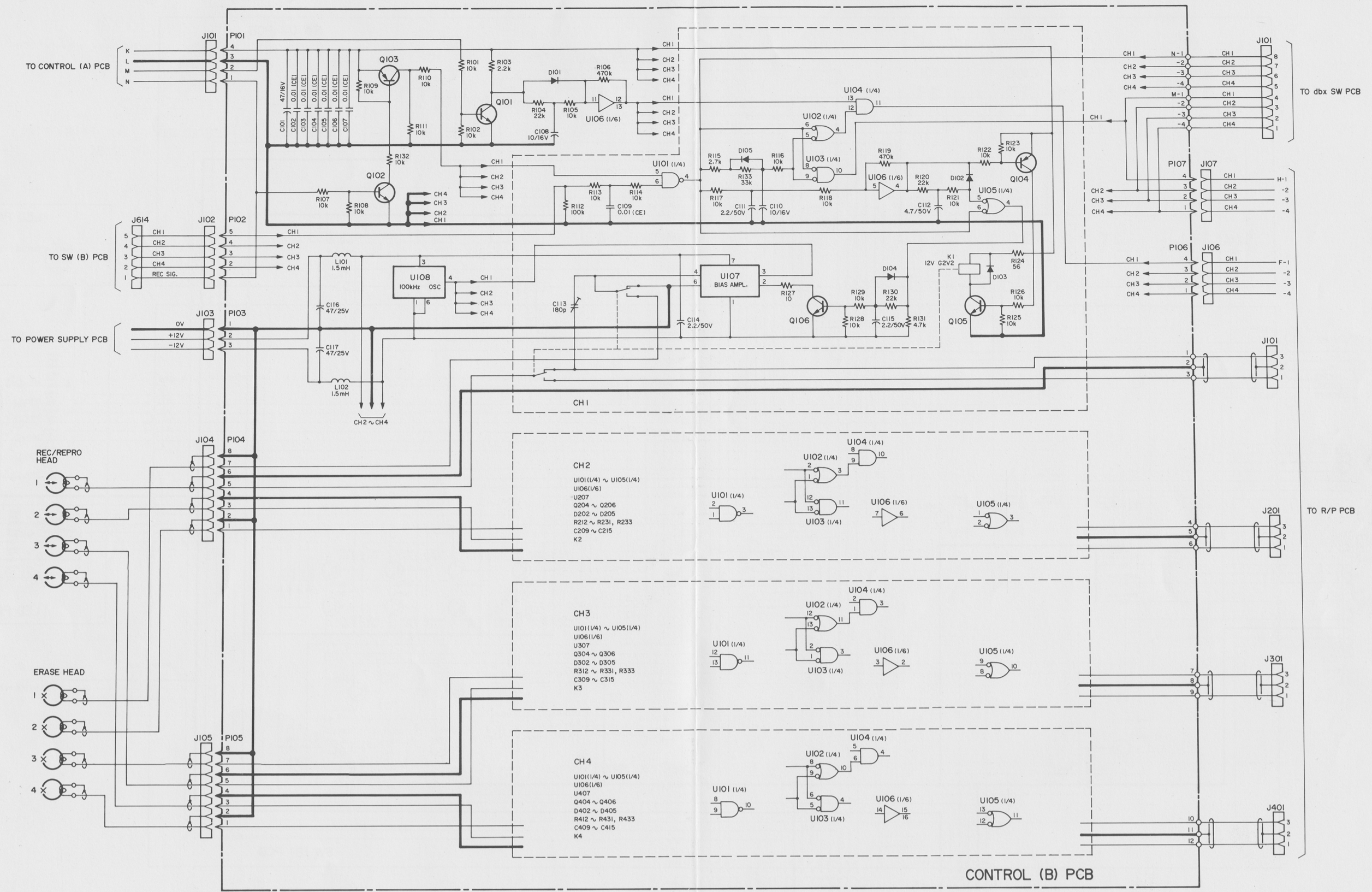
U101	U201	U301	U401	NUM4560D
U102	U202	U302	U402	RC4558P
U103	U203	U303	U403	NUM4560D
U104	U204	U304	U404	LC4066B
U105	U105	U105	U105	LM339N
U205	U205	U205	U205	LM339N
U106	U106	U206	U206	RC4558P
U107	---	---	---	NUM4560D
U108	---	---	---	NUM4560D
U109	---	---	---	NUM386D
Q101	Q201	Q301	Q401	2SK270A GR
Q102	Q202	Q302	Q402	2SC2878B
Q103	Q203	Q303	Q403	2SD695E
Q104	Q204	Q304	Q404	2SD695E
Q105	Q205	Q305	Q405	2SK304
Q106	---	---	---	2SK304
Q108	---	---	---	2SK304
Q109	Q209	---	---	2SC2878B
Q110	Q210	Q310	Q410	2SA733AP
D101	D201	D301	D401	ISS133 T-77
D102	D202	D302	D402	ISS133 T-77
D103	D203	D303	D403	ISS133 T-77
D104	D204	D304	D404	ISS133 T-77
D105	D205	D305	D405	ISS133 T-77
D106	D206	D306	D406	---
D107	D207	D307	D407	IK60
D108	D208	D308	D408	IK60
D109	---	---	---	ISS133 T-77
D110	D210	---	---	ISS133 T-77
D111	---	---	---	ISS133 T-77
D112	D212	D312	D412	ISS133 T-77
D113	D213	D313	D413	ISS133 T-77

**CONTROL (C) PCB**

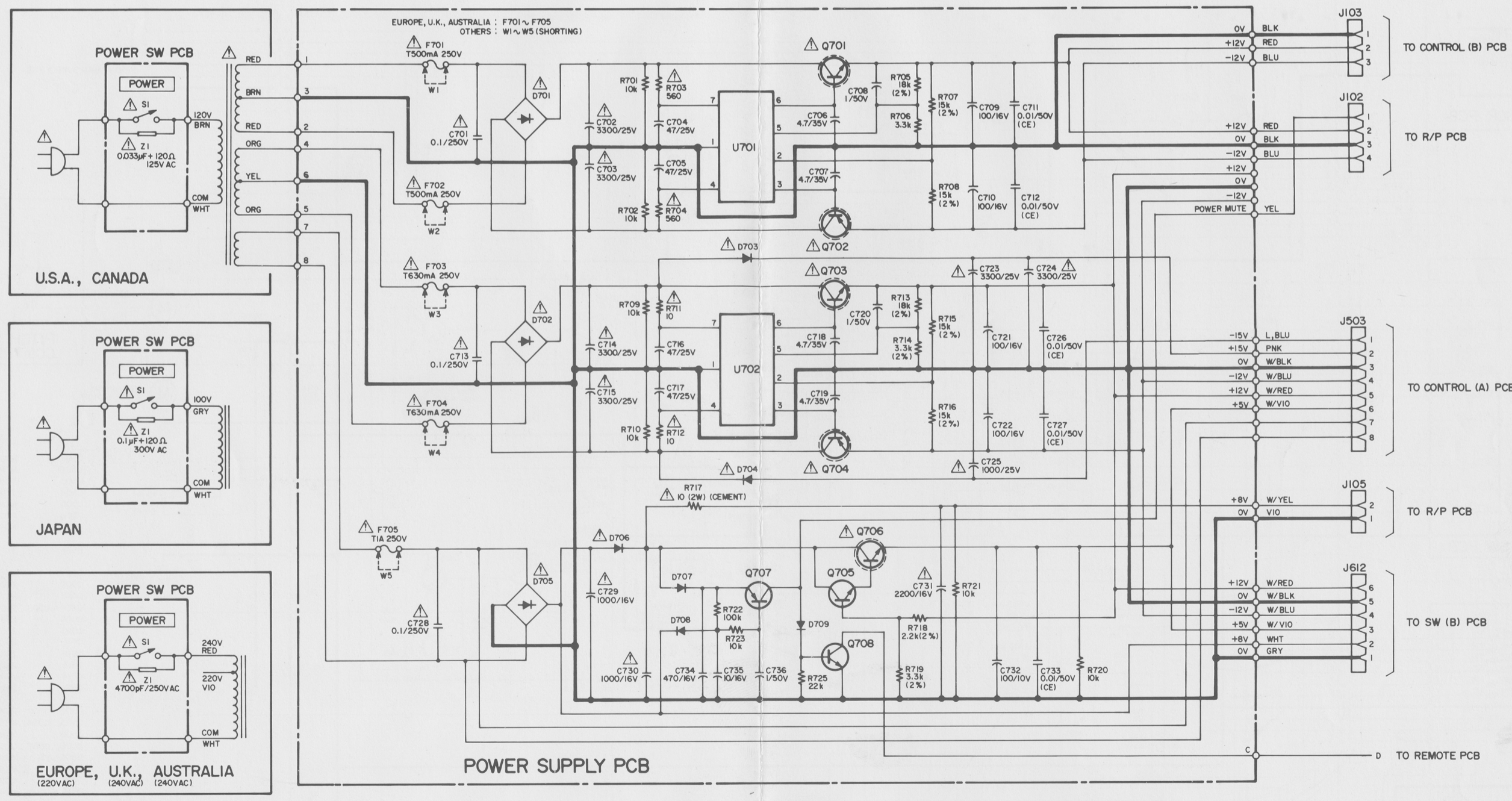
Q101	Q201	---	---	2SA733AP
Q102	Q202	---	---	2SA733AP
Q103	Q203	---	---	2SC1815GR
Q104	Q204	---	---	2SC1815GR

CH4  
CH3  
CH2 or CHR  
CH1 or CHL or Common





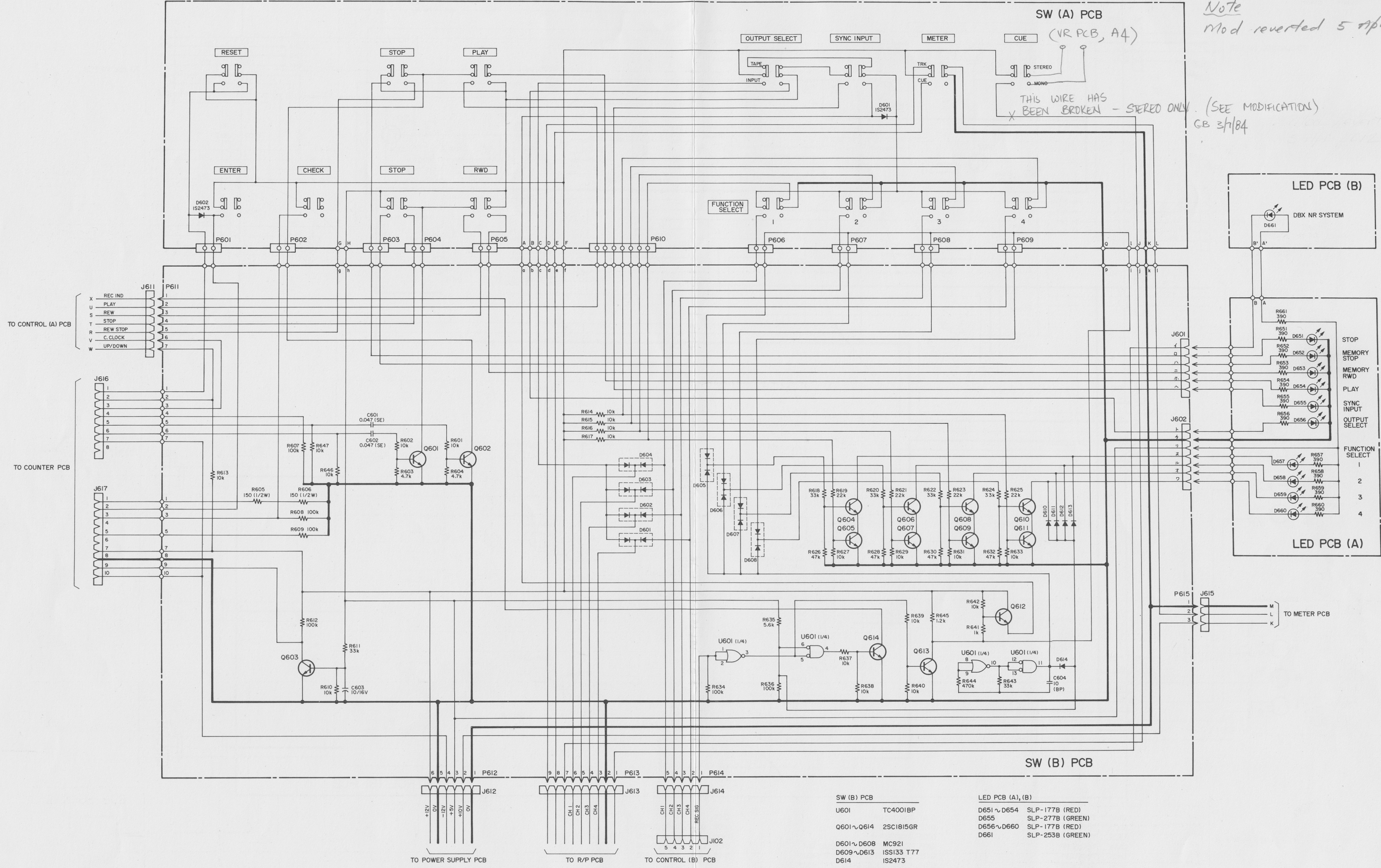
- |                                   |                                 |                        |               |
|-----------------------------------|---------------------------------|------------------------|---------------|
| UI01 TC4011BP                     | Q101 2SC1815GR                  | D101                   | ISS133 (T-77) |
| UI02 TC4011BP                     | Q102 2SC1815GR                  | D102, D202, D302, D402 |               |
| UI03 TC4001BP                     | Q103 2SA733P                    | D103, D203, D303, D403 |               |
| UI04 TC4071BP                     | Q104, Q204, Q304, Q404 2SA733P  | D104, D204, D304, D404 |               |
| UI05 TC4011BP                     | Q105, Q205, Q305, Q405 2SC945AK | D105, D205, D305, D405 |               |
| UI06 TC4050BP                     | Q106, Q206, Q306, Q406 2SC945AK |                        |               |
| UI07, U207, U307, U407 BIAS AMPL. |                                 |                        |               |
| UI08                              |                                 |                        |               |
|                                   |                                 |                        |               |
|                                   |                                 |                        |               |



- |             |               |               |
|-------------|---------------|---------------|
| U701 M5230L | Q701 2SD313E  | D701 W02      |
| U702 M5230L | Q702 2SB507E  | D702 W02      |
|             | Q703 2SD313E  | D703 W03C     |
|             | Q704 2SB507E  | D704 W03C     |
|             | Q705 2SC945AK | D705 W02      |
|             | Q706 2SD313E  | D706 W03C     |
|             | Q707 2SA733P  | D707 W03C     |
|             | Q708 2SC945AK | D708 IS2473FT |
|             |               | D709 IS2473   |

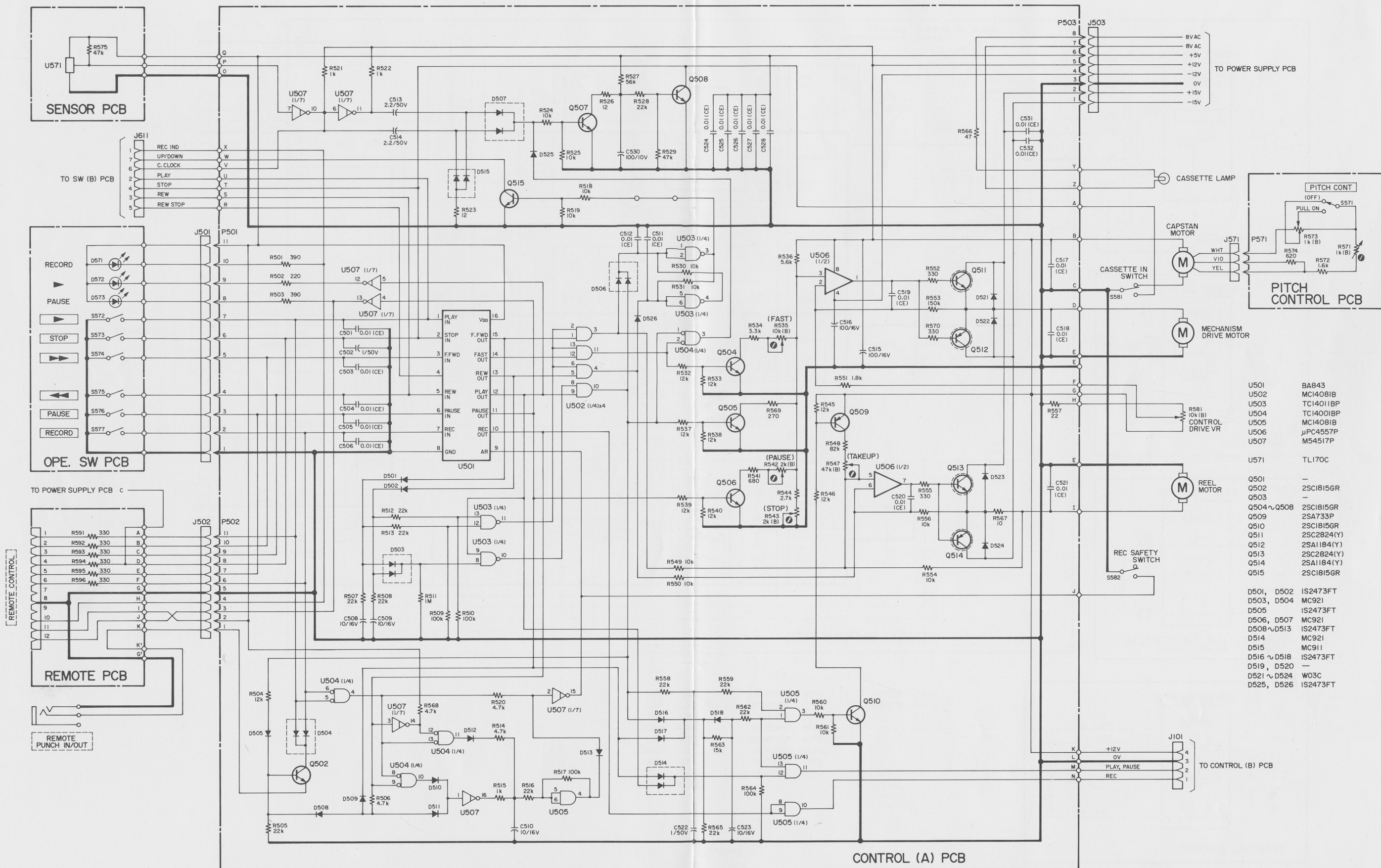
Note  
Mod reverted 5 Apr 2012

THIS WIRE HAS  
BEEN BROKEN - STEREO ONLY  
(SEE MODIFICATION)  
CB 3/1/84

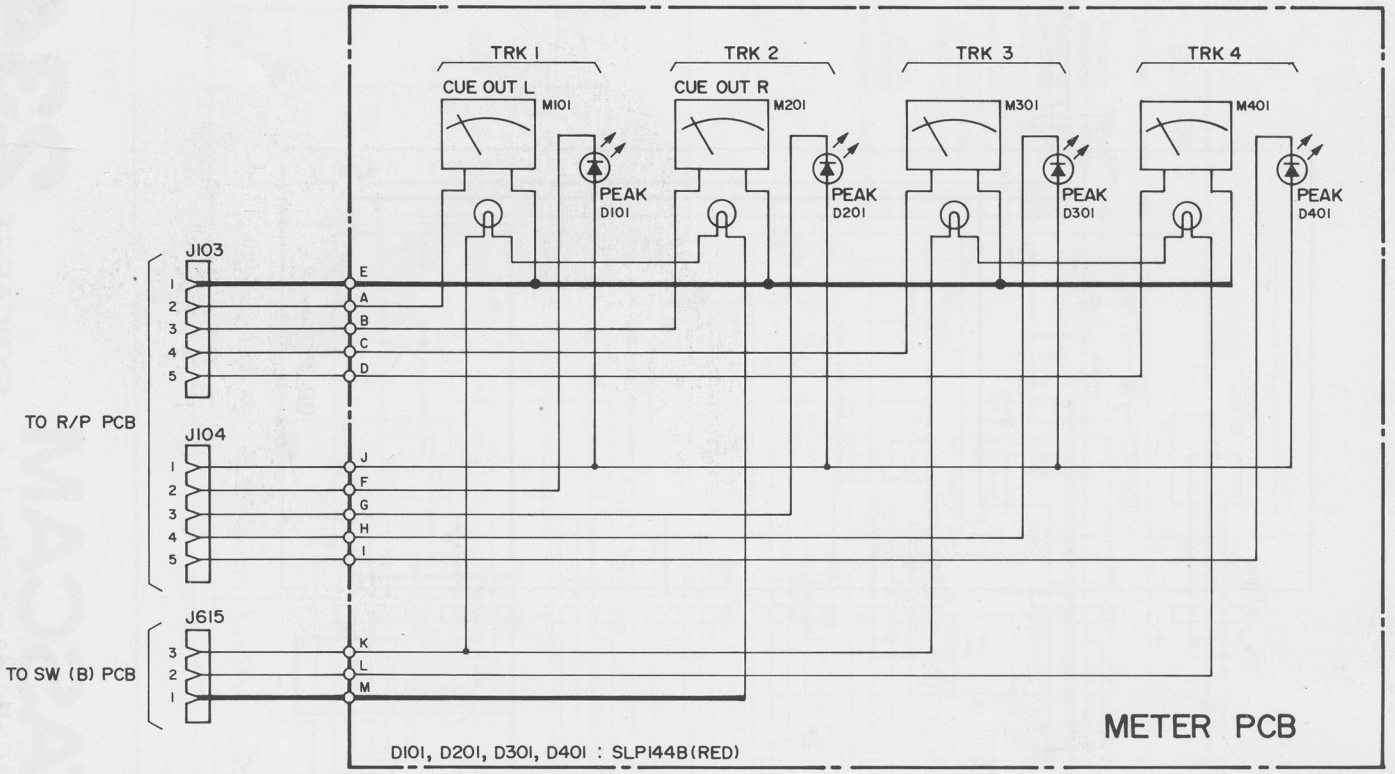


- SW (B) PCB
- U601 TC4001BP
  - Q601~Q614 2SC1815GR
  - D601~D608 MC921
  - D609~D613 IS133 T77
  - D614 IS2473

- LED PCB (A), (B)
- D651~D654 SLP-1778 (RED)
  - D655 SLP-2778 (GREEN)
  - D656~D660 SLP-1778 (RED)
  - D661 SLP-2538 (GREEN)



- U501 BA843
- U502 MC14081B
- U503 TC1401BP
- U504 TC1401BP
- U505 MC14081B
- U506  $\mu$ PC4557P
- U507 M54517P
- U571 TL170C
- Q501 -
- Q502 2SC1815GR
- Q503 -
- Q504~Q508 2SC1815GR
- Q509 2S7433P
- Q510 2SC1815GR
- Q511 2SC2824(Y)
- Q512 2S1184(Y)
- Q513 2SC2824(Y)
- Q514 2S1184(Y)
- Q515 2SC1815GR
- D501, D502 IS2473FT
- D503, D504 MC921
- D505 IS2473FT
- D506, D507 MC921
- D508~D513 IS2473FT
- D514 MC921
- D515 MC911
- D516~D518 IS2473FT
- D519, D520 -
- D521~D524 W03C
- D525, D526 IS2473FT



**TASCAM**  
 TEAC Production Products  
**234**