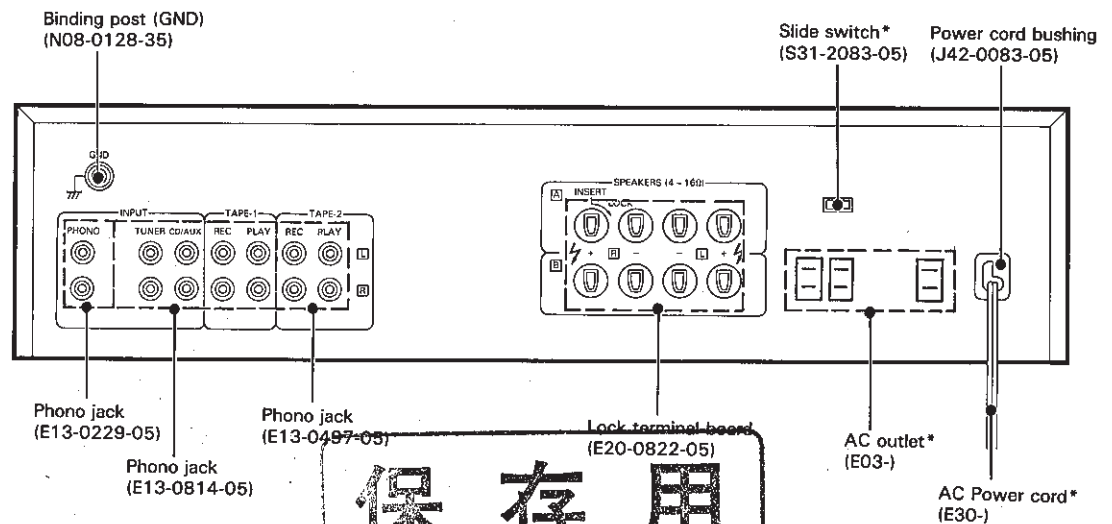
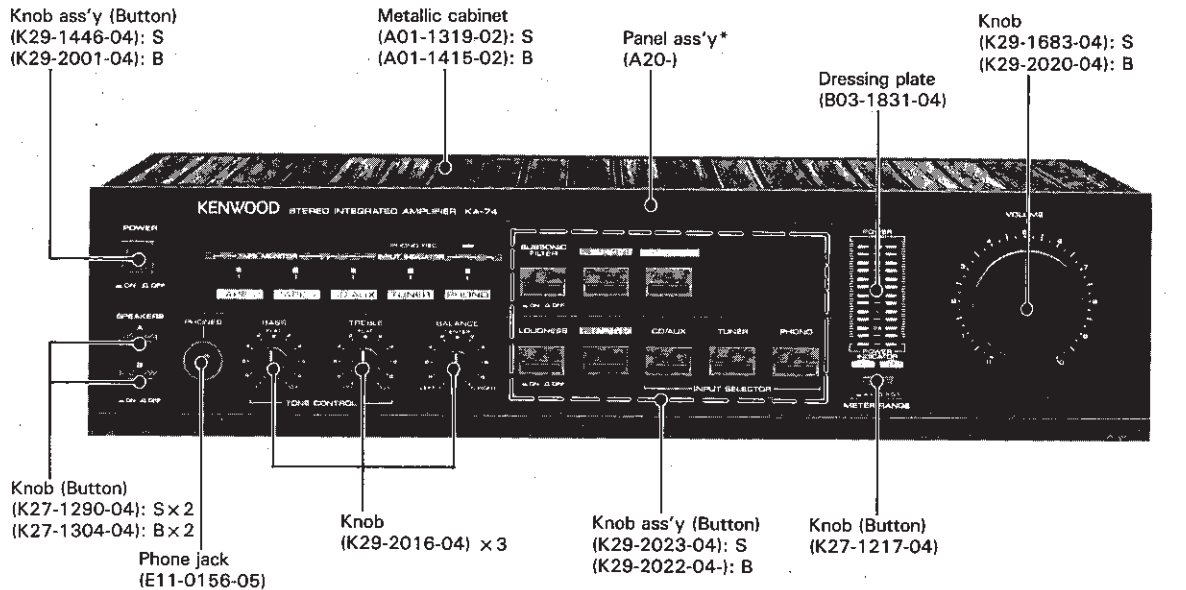


KENWOOD

KA-74

STEREO INTEGRATED AMPLIFIER



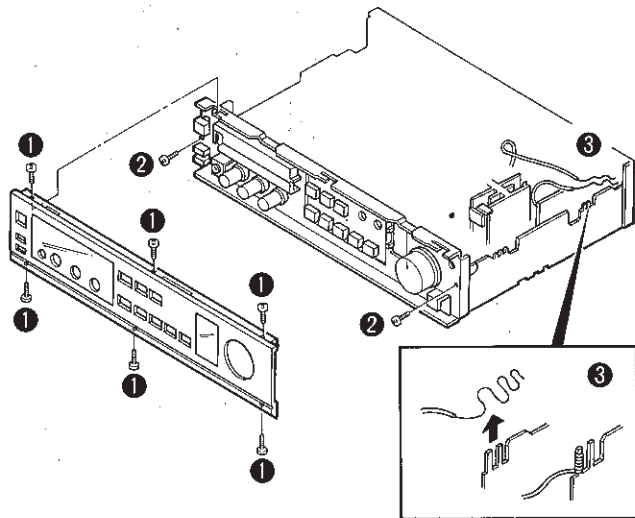
保 存 用
禁 帶 出

* Refer to Parts List on page 8.
Photo is KA-74B (Black version).
S: Silver version
B: Black version

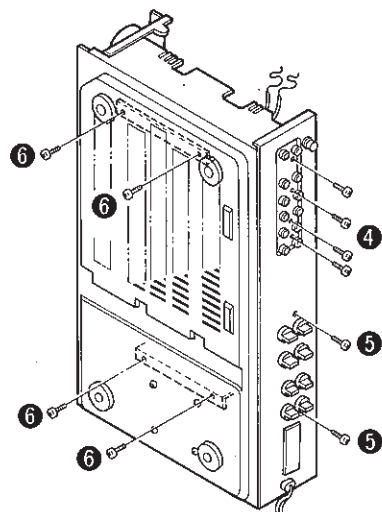
DISASSEMBLY FOR REPAIR

1. Remove the metallic case and remove 6 screws retaining the panel assembly (①).
2. Remove the panel assembly and remove 2 screws at the ends of the sub panel (②). Unwrap the ground leads from the chassis (③).

(Note) When checking the pc board, these leads should be grounded.

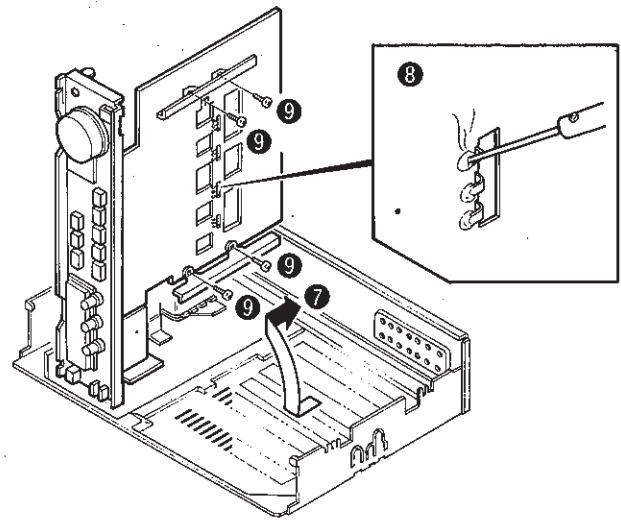


3. Remove 4 screws at phono jacks and 2 screws at speaker terminal (④ , ⑤).
4. Remove 4 screws retaining the mounting hardware from the bottom (⑥).

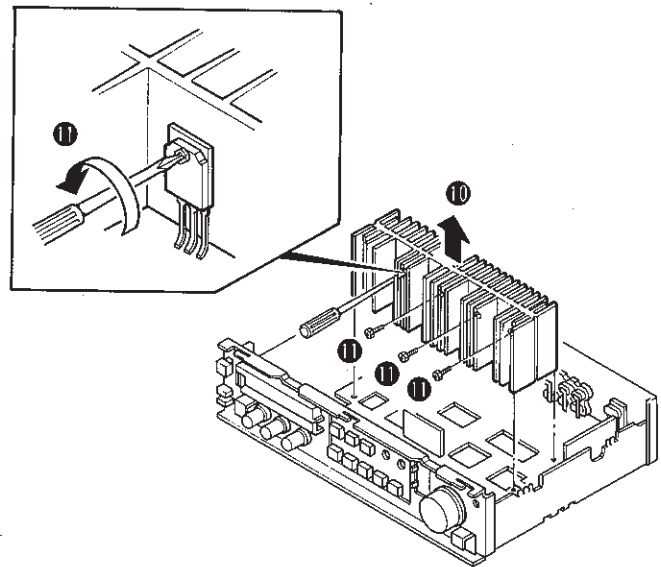


DISASSEMBLY FOR REPAIR

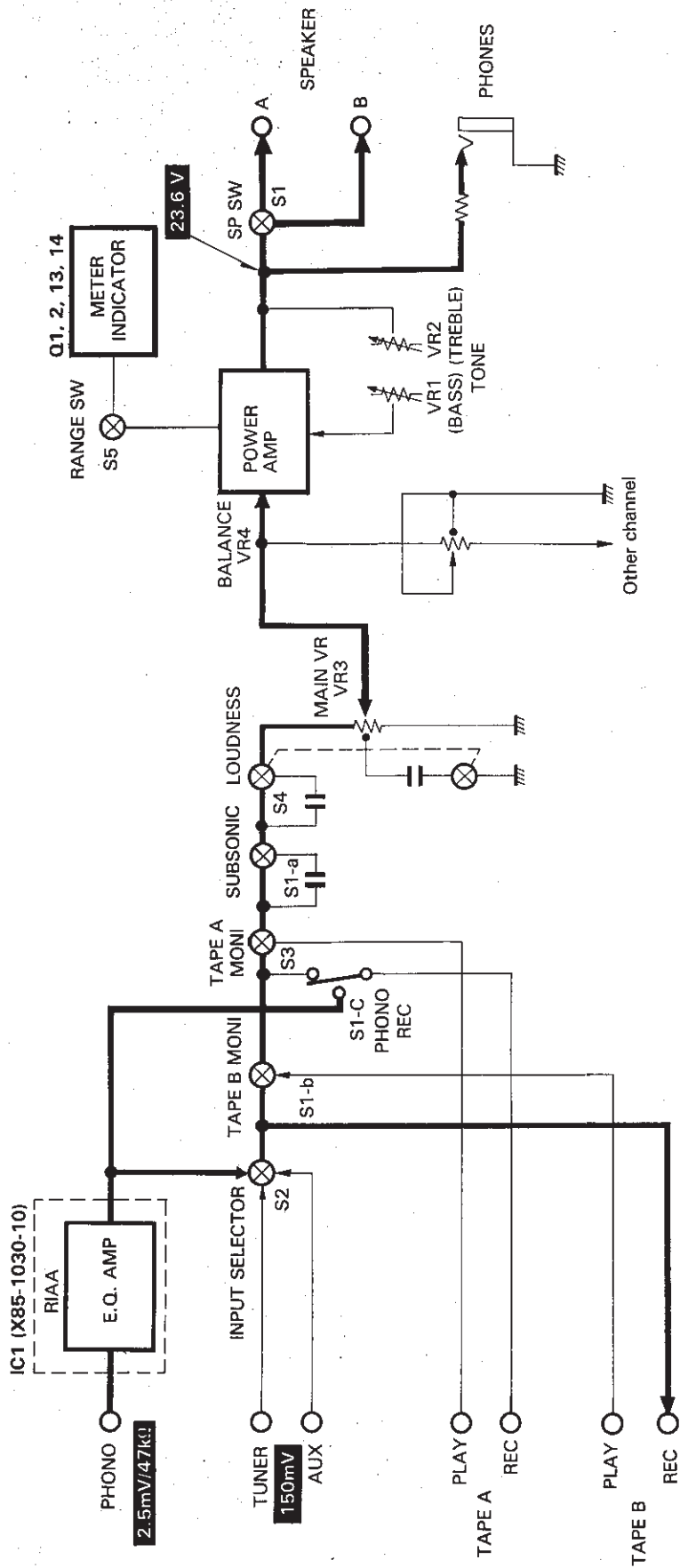
5. Turn the sub panel with the pc board as shown by the arrow and put the rear side of the pc board on the rear panel (7). Now components on the pc board can be replaced.
6. For replacement of the power transistors, first unsolder the transistor leads (8) and then remove 4 screws retaining the heat sink and the mounting hardware (9).



7. Take the heat sink off (10) and remove the power transistor retaining screw (11).



BLOCK LEVEL DIAGRAM



CIRCUIT DESCRIPTION

COMPONENT FUNCTION

EQ amp unit (X85-1030-10)

Components	Functions	Operations
IC1	Equalizer amp	

Class A amp unit (X85-1040-10)

Components	Functions	Operations
Q1 - Q4	1st stage differential amp	Class A amp
Q5 - Q8	2nd stage differential amp	Class A amp

Tone unit (X11-2120-10)

Components	Functions	Operations
Q1, Q2	Meter circuit	Controlled by Q13 and Q14 in the X09-2150-10 PRE/main amp unit. (KA-74 only)

PRE/MAIN amp unit (X09-2150-10)

Components	Functions	Operations
Q1	Overcurrent detection (protection)	Turns ON with overcurrent due to short circuit of speaker terminals.
Q2	Overcurrent detection (protection)	Turns ON with overcurrent due to short circuit of speaker terminals.
Q3	Final transistor	+ side final
Q4	Final transistor	+ side final
Q5	Final transistor	- side final
Q6	Final transistor	- side final
Q7	Driver	+ side driver
Q8	Driver	+ side driver
Q9	Driver	- side driver
Q10	Driver	- side driver
Q11	Power limiter	Turns ON when current flows to the output.
Q12	Power limiter	Turns ON when current flows to the output.
Q13	Meter circuit (L ch)	The L-ch output voltage is rectified to turn ON this transistor so as to illuminate the meter.
Q14	Meter circuit (L ch)	The L-ch output voltage is rectified to turn ON this transistor so as to illuminate the meter.
Q15	Class A + Power supply	When Power is switched ON, rises with the time constant of R68 and C45. When Power is switched OFF, falls with the time constant of R95 and C45.
Q16	Protection	Turns ON when the output is short-circuited, then turns OFF when Power is switched OFF.
Q17		
Q18	LED/lamp power supply	Power supply
Q19	BIAS Tr. (thermal compensation)	For L ch thermal compensation. Turns ON when the final transistor heats up.
Q20	BIAS Tr. (thermal compensation)	For R ch thermal compensation. Turns ON when the final transistor heats up.

ADJUSTMENT/REGLAGES/ABGLEICH

ADJUSTMENT

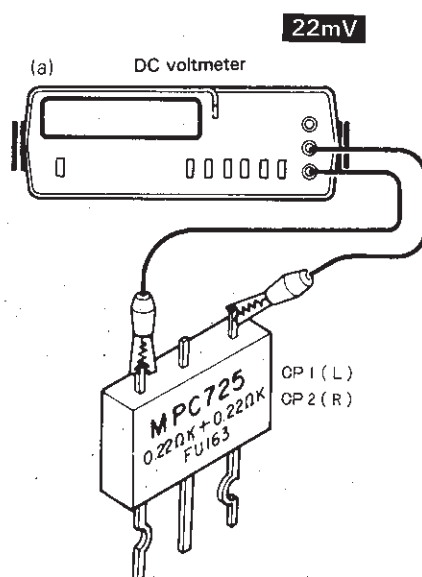
No.	ITEM	INPUT SETTINGS	OUTPUT SETTINGS	AMPLIFIER SETTINGS	ALIGNMENT POINTS	ALIGN FOR	FIG.
1	IDLE CURRENT	—	Connect a DC voltmeter across CP1 (L) CP2 (R).	VOLUME: 0	VR1 (L) VR2 (R)	22mV	(a)

REGLAGE

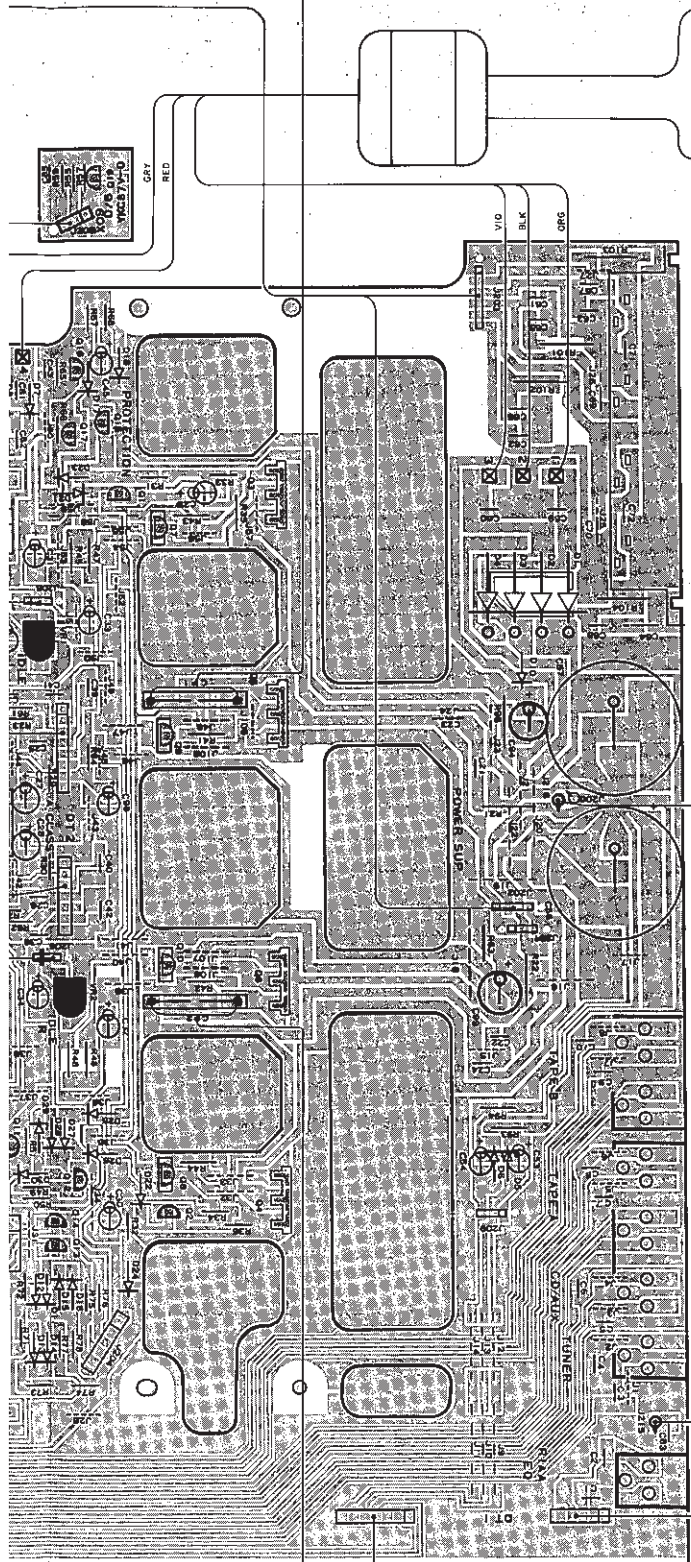
N°	ITEM	REGLAGE DE L'ENTREE	REGLAGE DE LA SORTIE	REGLAGE DE L'AMPLIFICATEUR	POINS L'ALIGNEMENT	ALIGNER POUR	FIG.
1	COURANT DE POLARISATION	—	Connecter un voltmètre CC sur CP1 (G) CP2 (D).	VOLUME: 0	VR1 (G) VR2 (D)	22mV	(a)

ABGLEICH

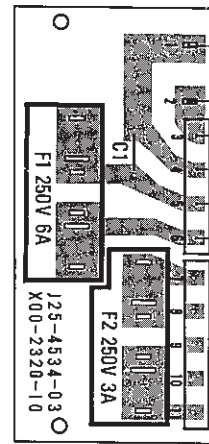
NR.	GEGENSTAND	EINGANGS-EINSTELLUNG	AUSGANGS-EINSTELLUNG	VORSTÄRKER EINSTELLUNG	ABGLEICH-PUNKTE	ABGLEICHEN FÜR	ABB.
1	LEERLAUFSTROM	—	Einen Gleichspannungsmesser über CP1 (L) CP2 (R) anschließen.	VOLUME: 0	VR1 (L) VR2 (R)	22mV	(a)



(a) DC voltmeter



POWER SUPPLY (X00-2320-10) Component side view



X09-2150-10

Q1, 2

E	0V
C	0V
B	0V

Q12

E	0V
C	-
B	-

Q3, 4

E	0V
C	A
B	0.6V

Q13, 14

E	0
C	13.2V
B	0V

Q5, 6

E	0V
C	F
B	-0.6V

Q15

E	C
C	A
B	E

Q7, 8

E	0.6V
C	A
B	1.2V

Q16

E	D
C	0V
B	36.6V

Q9, 10

E	-0.6V
C	F
B	-1.2V

Q17

E	0V
C	36.6V
B	0V

Q18

E	12.2V
C	17.2V
B	12.8V

Q19, 20

E	-1.2V
C	1.2V
B	-0.6V

Q11

E	0V
C	0V
B	0V

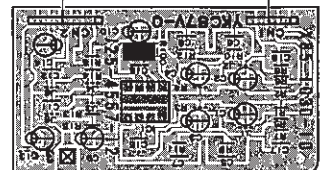
X85-1030-10

IC1

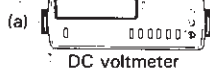
1	
2	0V
3	
4	-16.5V
5	
6	0V
7	
8	16.5V

	0-10	2-71
A	53.3V	49.5V
B	-53.5V	-49.5V
C	44.8V	40.8V
D	44.6V	40.6V
E	44.2V	40.2V
F	-52.5V	-58.5V
G	44.9V	40.9V

PRE AMP (X85-1030-10) Component side view

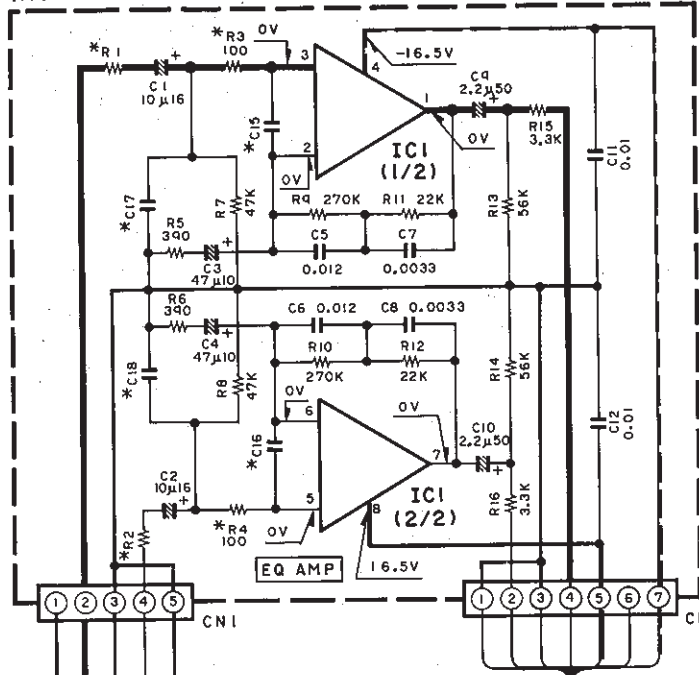


Refer to the schematic diagram for the values of resistors and capacitors. The PC board drawing is viewing from the side easy to check.

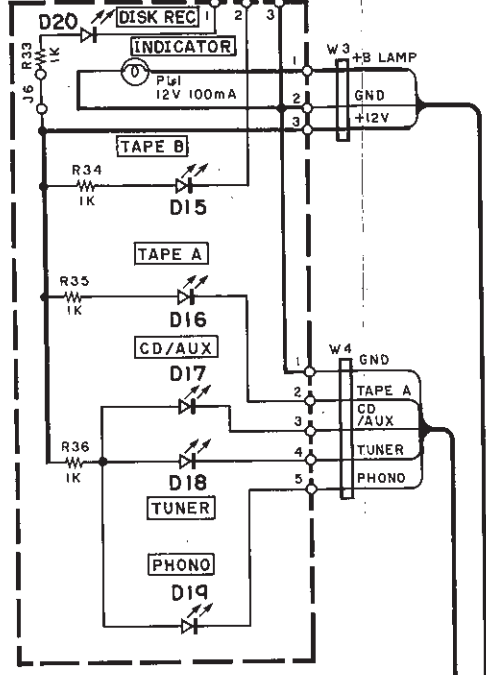


DC voltmeter

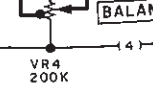
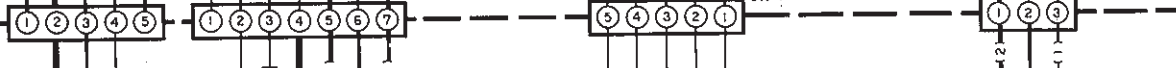
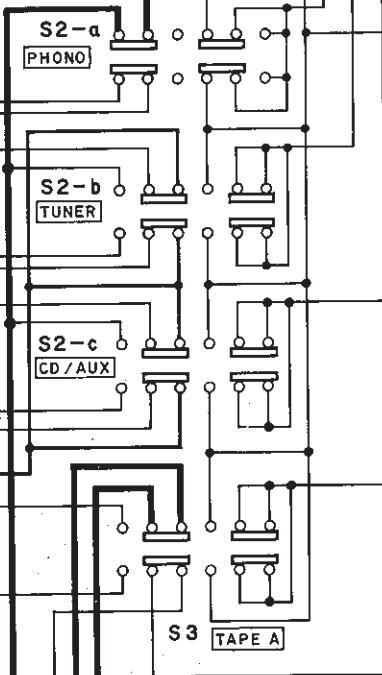
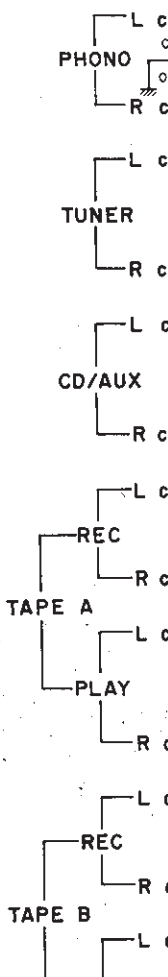
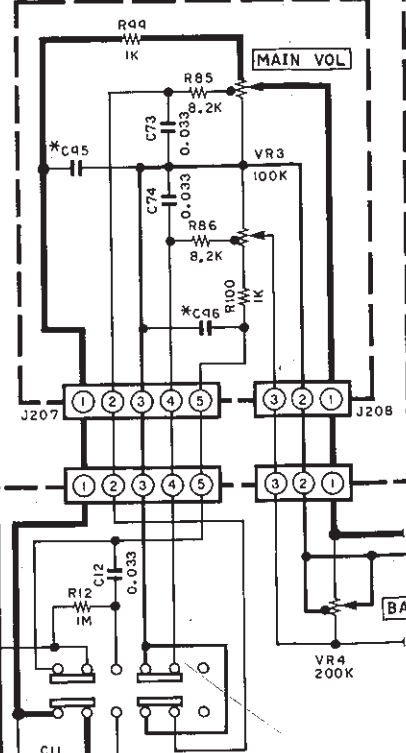
(X85-1030-10)

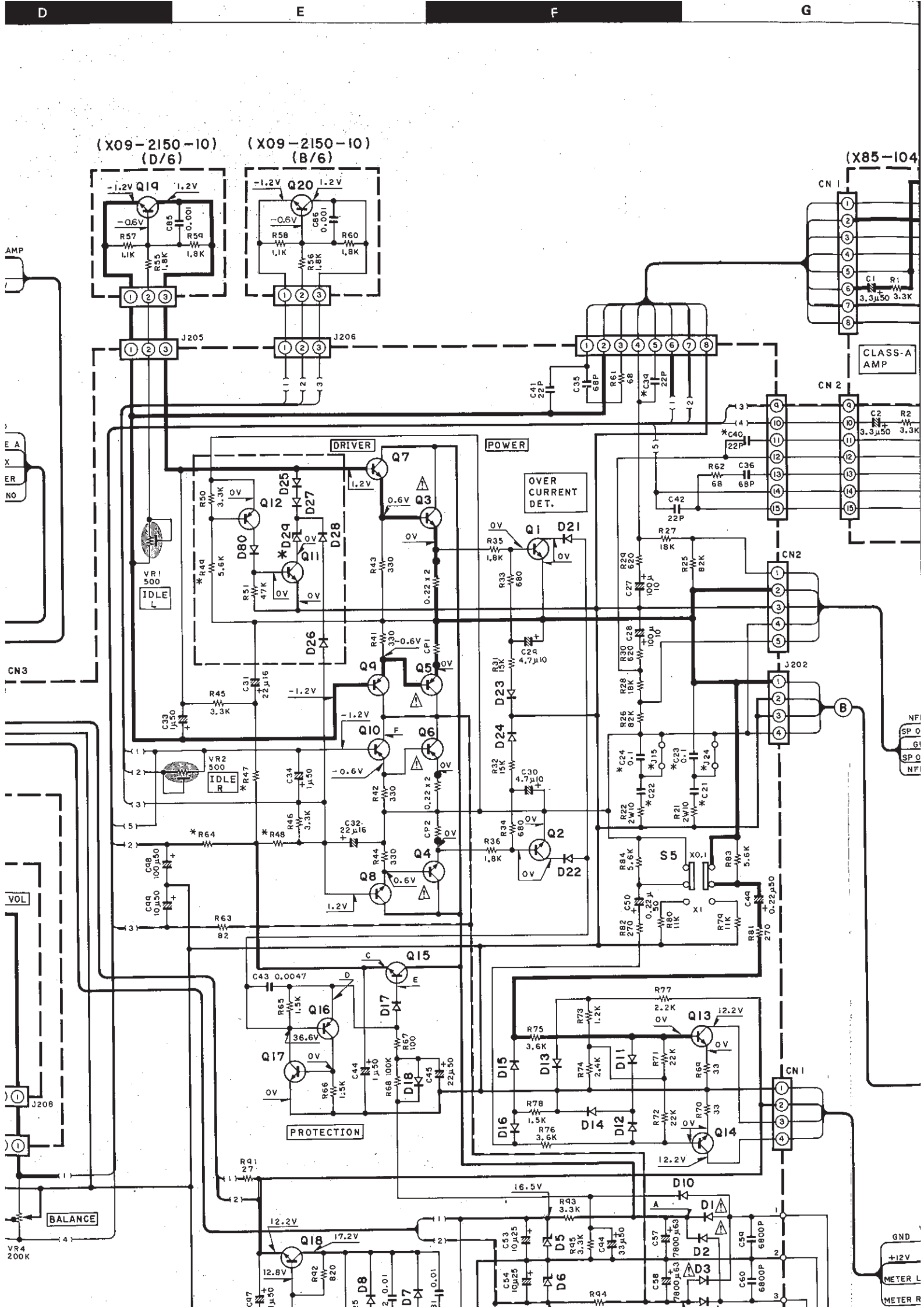


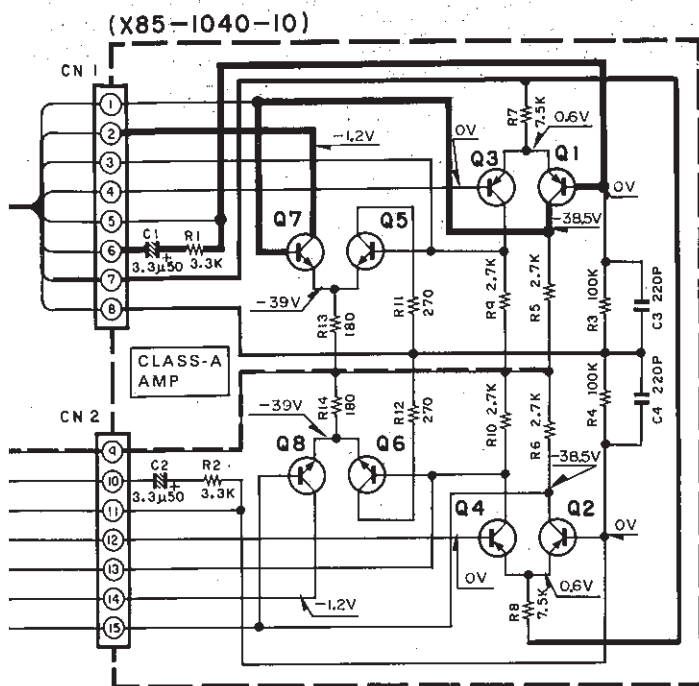
(X11-2120-10) (A/3)



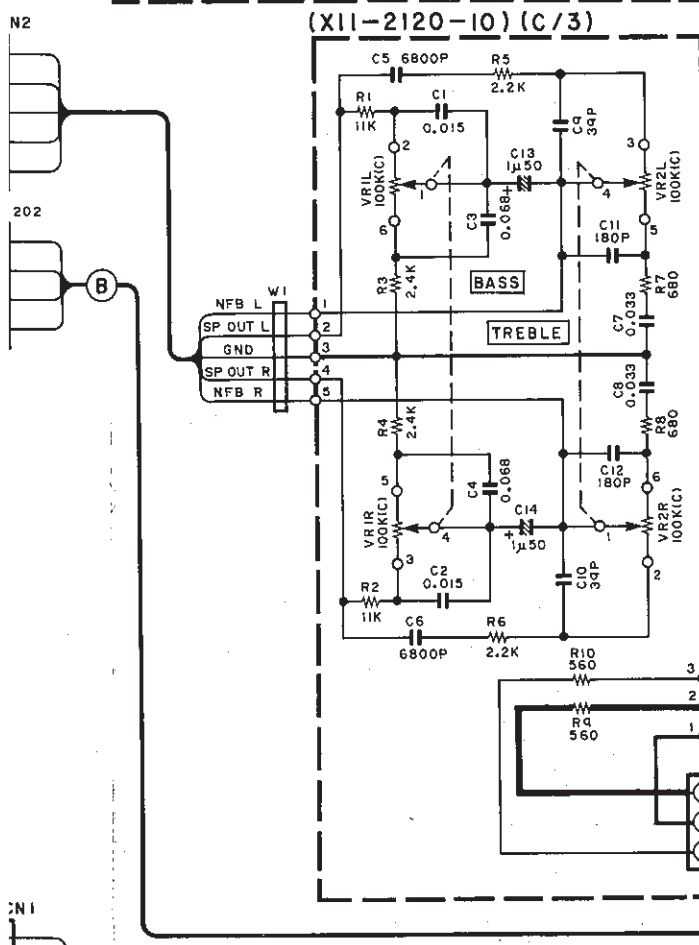
(X09-2150-10) (C/6)







- (X09-2150-10)
 Q1, 2, 11, 12~14, 17 : 2SC945(A)(Q,P) or 2SC1740S(Q,R)
 Q3, 4 : 2SC2837
 Q5, 6 : 2SA1186
 Q7, 8 : 2SC2590(Q,R,S)
 Q9, 10 : 2SA1110(Q,R,S)
 Q12, 16 : 2SA733(A)(Q,P) or 2SA933S(Q,R)
 Q15 : 2SC1845
 Q18 : 2SC2167(O,Y)
 Q19, 20 : 2SC945(A)(Q)
- D1~4 : S3V20
 D5, 6 : RD16E(B)
 D7, 8, 10 : DSM1A1
 D9 : RD13E(B)
 D11~16 : 1S2076 or 1S1555
 D17, 18, 21~28, 30 : 1S2076A
 D29 : RD20E(B)



- (X11-2120-10)
 Q1, 2 : 2SA733(A)(Q,P), 2SA999(E,F) or 2SA1127NC(R,S)

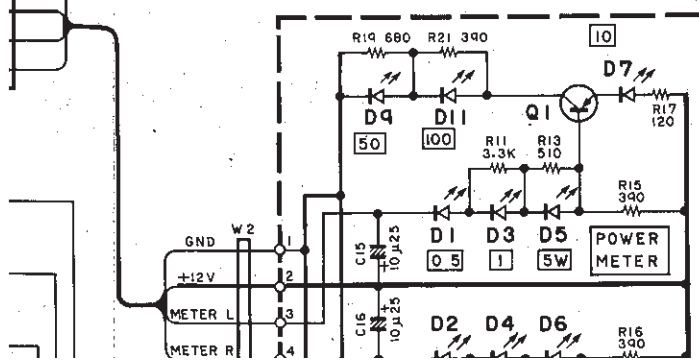
D1~20 : B30-0431-05

(X85-1030-10)
 IC1 : M5218 or AN6556

(X85-1040-10)
 Q1~4 : 2SA992(F,E)
 Q5~8 : 2SC1845(F,E)

	0-10	2-71
A	53.3V	49.5V
B	-53.5V	-49.5V
C	44.8V	40.8V
D	44.6V	40.6V
E	44.2V	40.2V
F	-52.5V	-58.5V
G	44.9V	40.9V

DESTINATION	K,P,U,M,UE	X,T,E
X09-215	0-10	2-71
J15, 24	YES	NO
R47, 48	8.2K	7.5K
R49	YES	NO
R64	12K	11K
R101-104	NO	YES
C3-10	NO	YES
C21, 22	0.047	0.1
C23, 24	NO	YES
C39, 40	NO	YES
C61-68	NO	YES
C69-72	NO	YES
C95, 96	470P	4700
D29	YES	NO



DESTINATION	K,P,U,M,UE	X,T,E
X85-103	0-10	2-71
R1, 2	100	1K
R3, 4	JUMPER	YES
C15, 16	560P	2200P
C17, 18	100P	220P

5

6

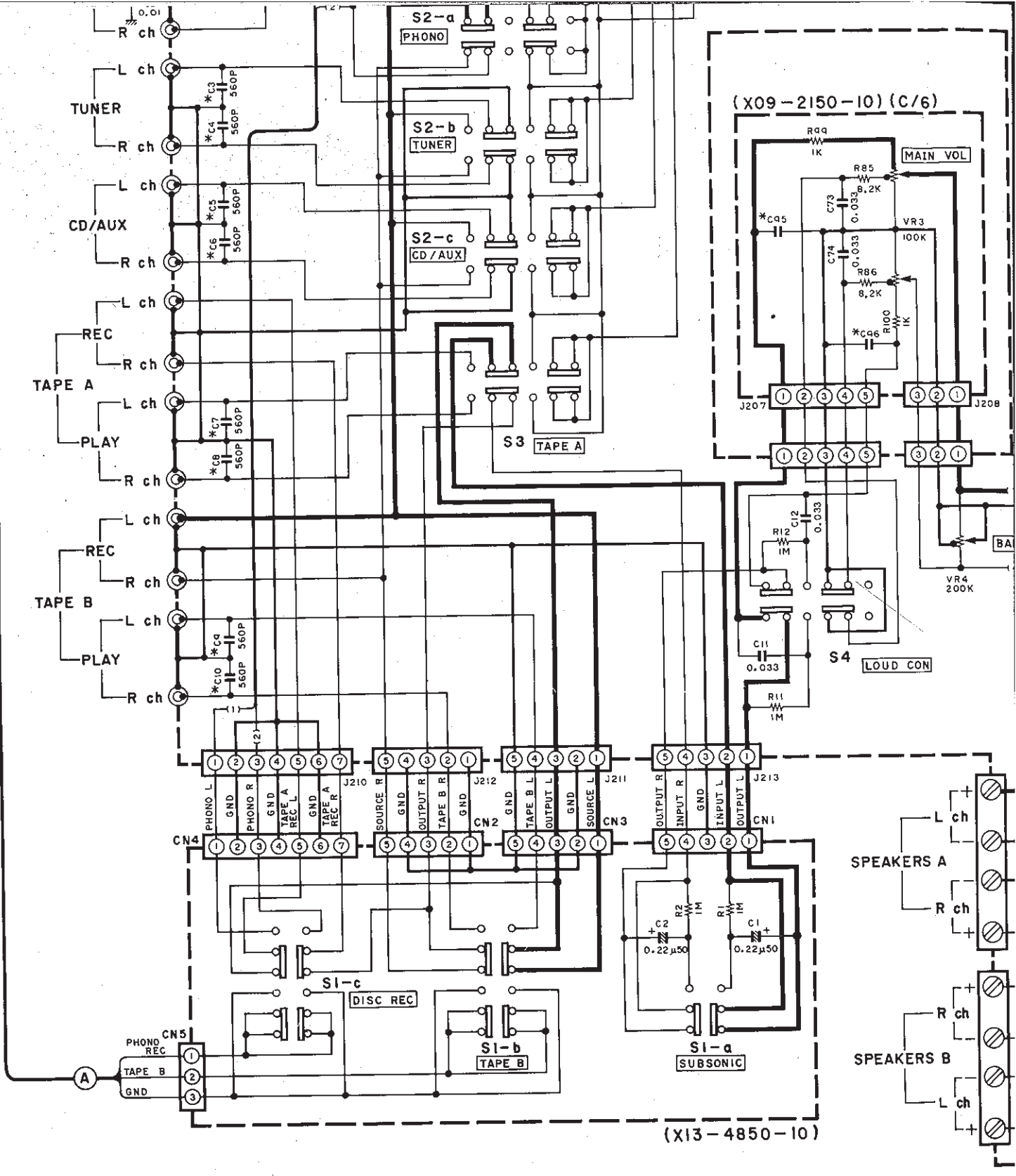
7

8

9

10

11

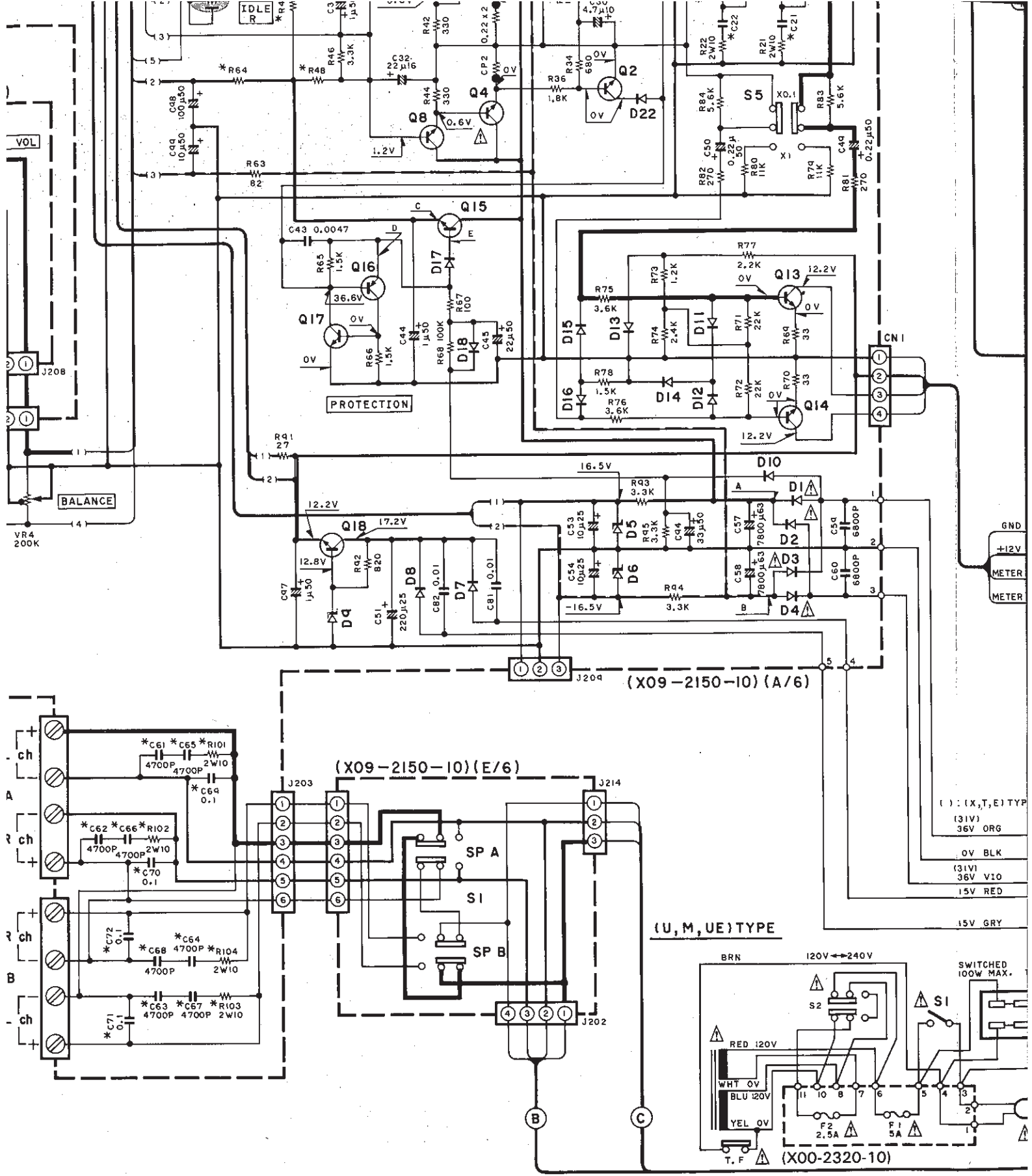


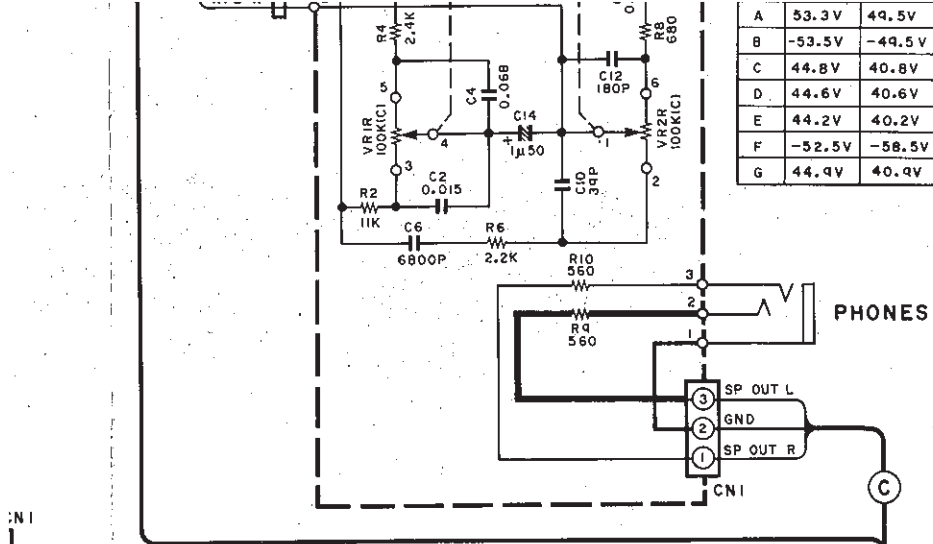
(X09-2150-10) (C/6)

(X13-4850-10)

SPEAKERS A

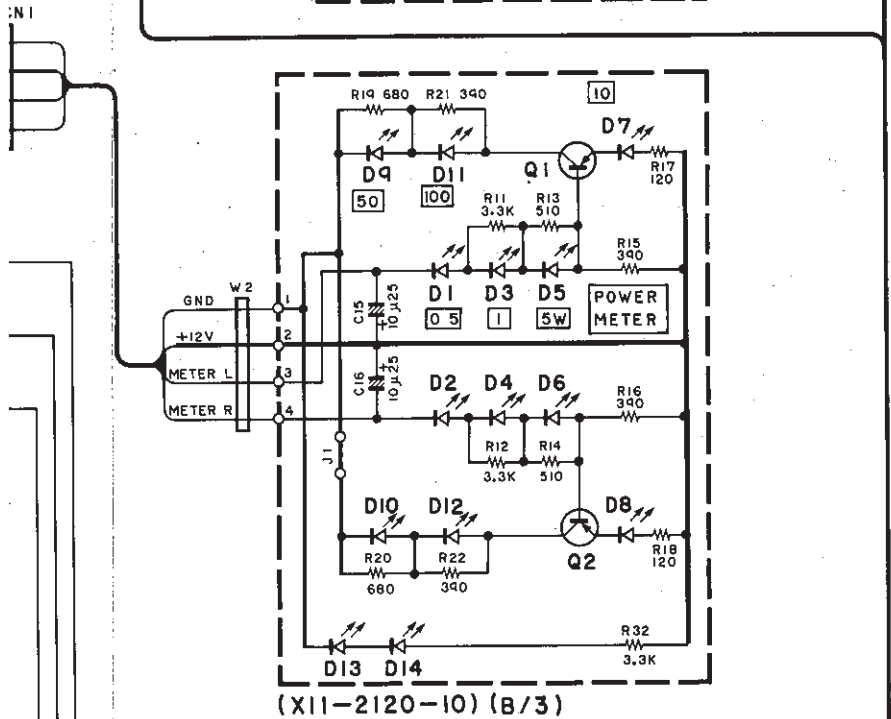
SPEAKERS B



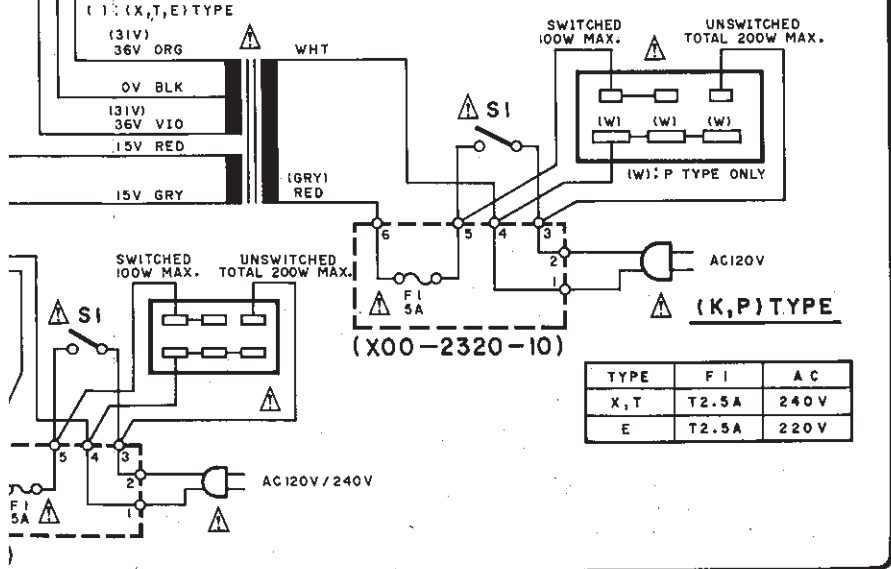


A	53.3V	44.5V
B	-53.5V	-44.5V
C	44.8V	40.8V
D	44.6V	40.6V
E	44.2V	40.2V
F	-52.5V	-58.5V
G	44.9V	40.9V

DESTINATION	K, P, U, M, UE	X, T, E
X09-215	0-10	2-71
J15, 24	YES	NO
R47, 48	8, 2K	7.5K
R49	YES	NO
R64	12K	11K
R101-104	NO	YES
C3-10	NO	YES
C21, 22	0.047	0.1
C23, 24	NO	YES
C39, 40	NO	YES
C61-68	NO	YES
C69-72	NO	YES
C45, 46	470P	4700
D29	YES	NO



DESTINATION	K, P, U, M, UE	X, T, E
X85-103	0-10	2-71
R1, 2	100	1K
R3, 4	JUMPER	YES
C15, 16	560P	2200P
C17, 18	100P	220P



CAUTION: For continued safety, replace safety critical components only with manufacturer's recommended parts (refer to parts list). Indicates safety critical components. To reduce the risk of electric shock, leakage-current or resistance measurements shall be carried out (exposed parts are acceptably insulated from the supply circuit) before the appliance is returned to the customer.

DC voltages are as measured with a high impedance voltmeter with no signal input. Values may vary slightly due to variations between individual instruments or/and units.

Les tensions c.c. doivent être mesurées avec un voltmètre à haute impédance sans signal d'entrée. Les valeurs peuvent différer légèrement du fait des variations inhérentes aux appareils et aux instruments de mesure individuels.

Die angegebenen Gleichspannungswerte wurden mit einem hochohmigen Spannungsmesser ohne Eingangssignal gemessen. Dabei schwanden die Meßwerte aufgrund von Unterschieden zwischen einzelnen Instrumenten oder Geräten u.U. geringfügig.

TYPE	F I	A C
X, T	T2.5A	240V
E	T2.5A	220V

KA-74 (K)

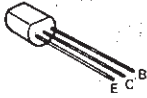


KENWOOD

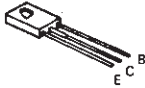
SPECIFICATIONS

EIA

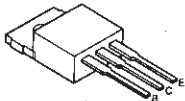
2SA1127NC
2SA733
2SA992
2SA999
2SC1845
2SC945



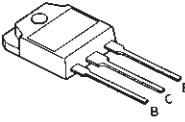
2SA1110
2SC2590



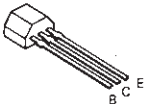
2SC2167



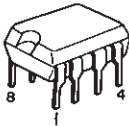
2SA1186
2SC2837



2SA933S
2SC1740S



AN6556
M5218P



Power Amplifier Section

Power Output

75 watts* per channel minimum RMS, both channels driven at 8 ohms from 20 Hz to 20,000 Hz with no more than 0.09% total harmonic distortion

Both Channels Driven into

8 ohms at 1 kHz.....	80 W + 80 W (Except USA, Europe and U.K.)
4 ohms at 1 kHz.....	80 W + 80 W (Except USA, Europe and U.K.)

Total Harmonic Distortion

(AUX - SPKR 8 Ω)	
at Rated Output,	
20 Hz ~ 20,000 Hz.....	0.09%
at 1/2 Rated Output,	
20 Hz ~ 20,000 Hz.....	0.05%
at 1/2 Rated Output,	
1,000 Hz.....	0.03%

(PHONO - SPKR 8 Ω : at -20 dB VOLUME Level)	
at Rated Output,	
1,000 Hz.....	0.04%

Intermodulation Distortion

(60 Hz:7 kHz = 4:1).....	0.02% at rated power into 8 ohms
--------------------------	----------------------------------

Damping Factor

20 (1,000 Hz into 8 ohms)

Frequency Response

10 Hz to 100 kHz,

+0 dB, -3 dB

Input Sensitivity/Impedance

Phono MM.....2.5 mV/47 k ohms

TUNER, CD/AUX., TAPE PLAY :150 mV/25 k ohms

Signal-to-Noise Ratio
Phono MM
Phono MM
TUNER, CD/AUX., TAPE PLAY
Maximum Output Power
MM.....

Output Level
TAPE RECORDING
Frequency.....

Tone Control
Bass.....
Treble.....
Loudness Control
(at -30 dB)
Subsonic Filter.....

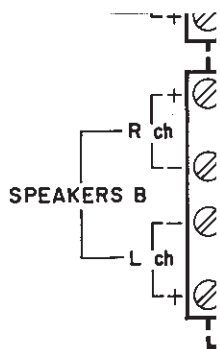
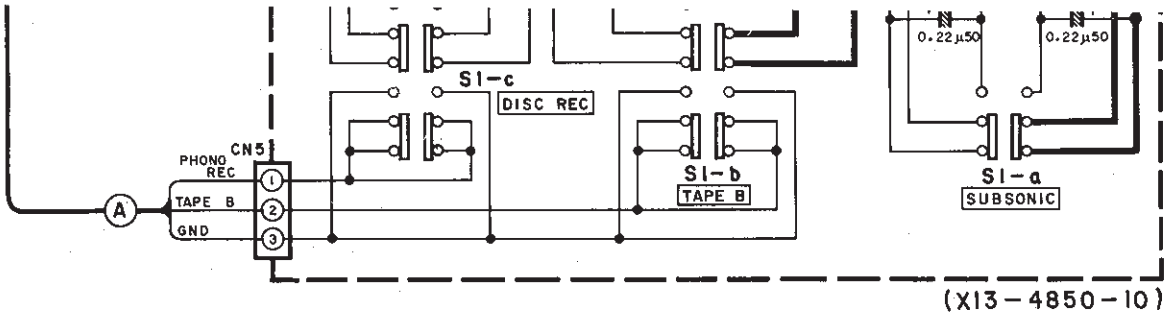
General
Power Consumption.....

AC Outlets.....

Dimensions.....

Weight (Net).....

* Measured in accordance with IEC rule on Power Amplifier Section



STEREO INTEGRATED AMPLIFIER

Signal-to-Noise Ratio (IHF-A)

Phono MM	73 dB for 2.5 mV input
Phono MM	79 dB for 5.0 mV input
TUNER, CD/AUX., TAPE PLAY	100 dB
Maximum Input Level for Phono	
MM	150 mV (RMS), T.H.D. 0.05% at 1 kHz

Output Level/Impedance

TAPE REC (Pin)	150 mV/3.3 k ohms
Frequency Response for Phono	RIAA standard curve ± 0.5 dB (30 Hz to 20,000 Hz)

Tone Control

Bass	± 10 dB at 100 Hz
Treble	± 8 dB at 10 kHz

Loudness Control

(at -30 dB VOLUME Level) +8 dB at 100 Hz

Subsonic Filter 18 Hz, 6 dB/oct.

General

Power Consumption	3 A (USA and Canada: UL and CSA) 200 W (Others)
AC Outlets	Switched 2, Unswitched 1 (Except some countries)
Dimensions	W: 420 mm (16-9/16") H: 109 mm (4-5/16") D: 280 mm (11")
Weight (Net)	7.0 kg (15.4 lb)

* Measured pursuant to Federal Trade Commission's Trade Regulation rule on Power Output Claims for Amplifier in U.S.A.

IEC/NF

European and U.K. models

Power Amplifier Section

Rated Power Output

1 kHz, 4 ohms	80 W + 80 W
4 ohms at 60 Hz to 12.5 kHz	
no more than 0.7% THD (IEC/NF)	80 W + 80 W
8 ohms at 60 Hz to 12.5 kHz	
no more than 0.7% THD (IEC/NF)	60 W + 60 W

Total Harmonic Distortion

Rated Power Output into 8 ohms	0.09%
Intermodulation Distortion	0.02%
Frequency Response	10 Hz ~ 100 kHz +0 dB, -3 dB

S/N Weighted: Rated Output Power (IEC-A)

() = Unweighted at 50 mW (DIN)

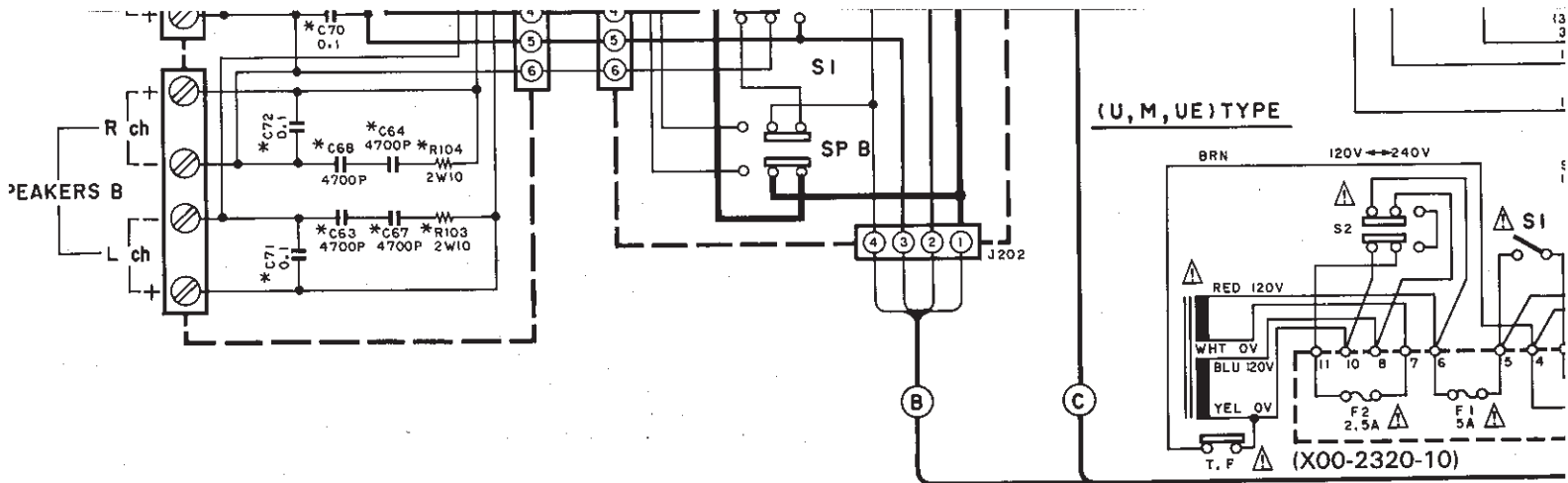
Phono MM	73 dB (56 dB)
TUNER, CD/AUX., TAPE PLAY	100 dB (56 dB)
Damping Factor at 8 ohms, 1,000 Hz	20

Input Sensitivity/Impedance

Phono MM	2.5 mV/47 k Ω
TUNER, CD/AUX., TAPE PLAY	150 mV/25 k Ω

Tone Control

Bass 100 Hz	± 10 dB
Treble 10 kHz	± 8 dB
Loudness Control (-30 dB)	+8 dB at 100 Hz
Subsonic Filter	18 Hz, 6 dB/oct.



KA-74



General

Power Consumption

IEC 200 W

Dimensions W: 420 mm

H: 109 mm

D: 280 mm

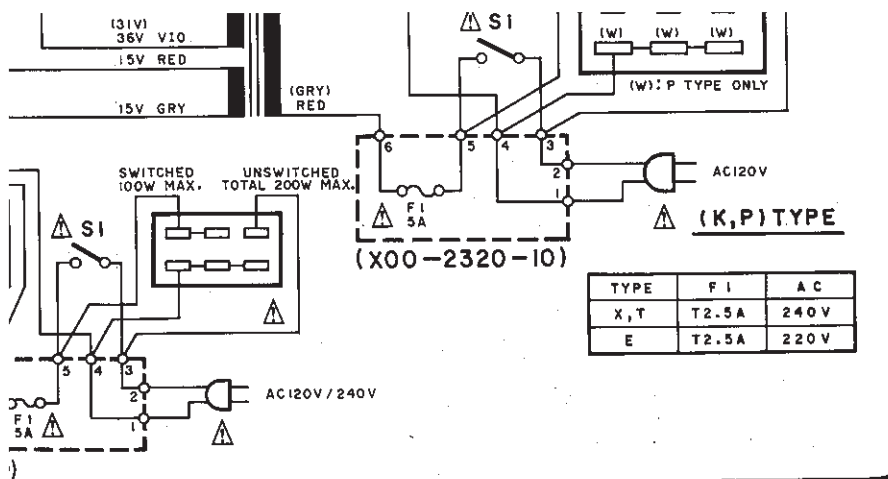
Weight (Net) 7.0 kg

Kenwood follows a policy of continuous advancements in development. For this reason specifications may be changed without notice.

Kenwood poursuit une politique de progrès constants en ce qui concerne le développement. Pour cette raison, les spécifications sont sujettes à modifications sans préavis.

Kenwood strebt ständige Verbesserungen in der Entwicklung an. Daher bleiben Änderungen der technischen Daten jederzeit vorbehalten.

W
W
W
9%
2%
kHz
dB
dB
20
7 kΩ
5 kΩ
dB
dB
Hz
oct.



returned to the customer.

DC voltages are as measured with a high impedance voltmeter with no signal input. Values may vary slightly due to variations between individual instruments or/and units.

Les tensions c.c. doivent être mesurées avec un voltmètre à haute impédance sans signal d'entrée. Les valeurs peuvent différer légèrement du fait des variations inhérentes aux appareils et aux instruments de mesure individuels.

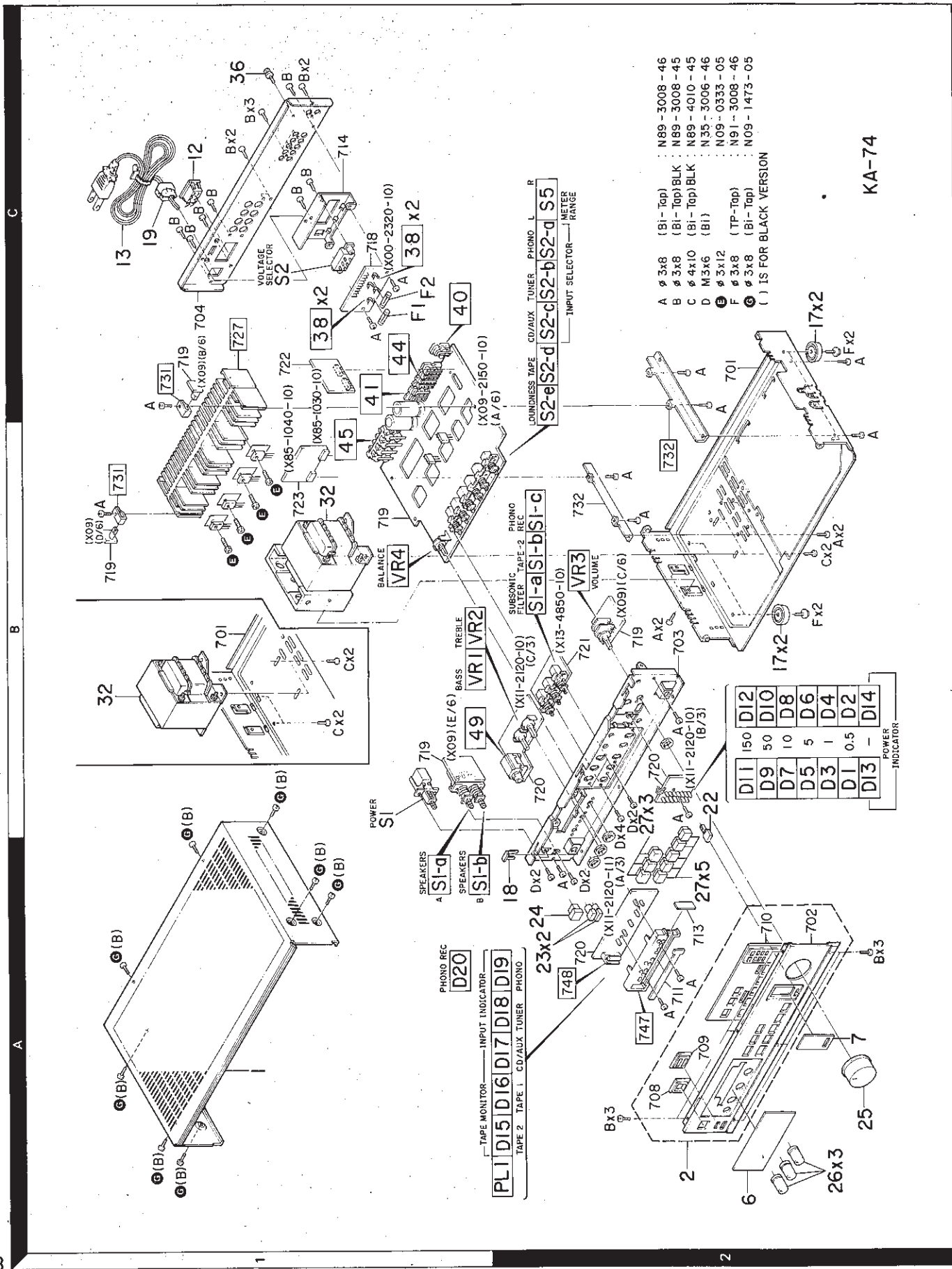
Die angegebenen Gleichspannungswerte wurden mit einem hochohmigen Spannungsmesser ohne Eingangssignal gemessen. Dabei schwanden die Meßwerte aufgrund von Unterschieden zwischen einzelnen Instrumenten oder Geräten u.U. geringfügig.

KA-74(K)

KA-74

KENWOOD

EXPLODED VIEW



- N89-3008-46 (BI-Tap)
 - N89-3008-45 (BI-Tap)BLK
 - N89-4010-45 (BI-Tap)BLK
 - N35-3006-46 (BI)
 - N09-0333-05 (TP-Tap)
 - N91-3008-46 (BI-Tap)
 - N09-1473-05 (BI-Tap)
- () IS FOR BLACK VERSION

KA-74

PHONO REC	D20
TAPE MONITOR	PL1
TAPE 1	D15
TAPE 2	D16
INPUT INDICATOR	D17
PHONO	D18
PHONO	D19

D11	150	D12
D9	50	D10
D7	10	D8
D5	5	D6
D3	1	D4
D1	0.5	D2
D13	-	D14

POWER INDICATOR

Parts with the exploded numbers larger than 700 are not supplied.

PARTS LIST

× New Parts

Parts without Parts No. are not supplied.

Les articles non mentionnés dans le Parts No. ne sont pas fournis.

Teile ohne Parts No. werden nicht geliefert.

Ref. No. 参照番号	Address 位置	New Parts 新	Parts No. 部品番号	Description 部品名 / 規格	Desti- nation 仕 向	Re- marks 備考
KA-74 (Silver)						
1	1A		A01-1319-02	METALLIC CABINET		
2	2A	*	A20-4247-02	PANEL ASSY	KPUM	
2	2A	*	A20-4247-02	PANEL ASSY	UEXE	
2	2A	*	A20-4248-02	PANEL ASSY	T	
6	2A		B03-1719-03	DRESSING PLATE (DISPLAY)		
7	2A		B03-1831-04	DRESSING PLATE (METER RANGE)		
-			B46-0092-03	WARRANTY CARD	K	
-			B46-0094-03	WARRANTY CARD	UE	
-			B46-0095-03	WARRANTY CARD	UE	
-			B46-0096-03	WARRANTY CARD	X	
-			B46-0121-03	WARRANTY CARD	P	
-			B46-0122-13	WARRANTY CARD	E	
-			B46-0123-03	WARRANTY CARD	T	
-			B50-5542-00	INSTRUCTION MANUAL (ENGLISH)	KPUM	
-			B50-5542-00	INSTRUCTION MANUAL (ENGLISH)	UEXE	
-			B50-5543-00	INSTRUCTION MANUAL (FRENCH)	PMXE	
-			B50-5544-00	INSTRUCTION MANUAL (SPANISH)	M	
-			B50-5545-00	INSTRUCTION MANUAL (ARABIC)	M	
-			B50-5546-00	INSTRUCTION MANUAL (ENGLISH)	T	
-			B50-5547-00	INSTRUCTION MANUAL (G.D.I)	E	
-			B58-0223-04	CAUTION CARD (PRE-SET 120V)	U	
-			B58-0245-33	CAUTION CARD (FTZ)	E	
-			B58-0269-04	CAUTION CARD	K	
-			B58-0513-04	CAUTION CARD (PRESET220-240)	UE	
-			B59-0092-00	SERVICE DIRECTORY	UE	
△	12	1C	E03-0068-05	AC OUTLET	P	
△	12	1C	E03-0069-05	AC OUTLET	KUMUE	
△	13	1C	E30-0181-05	AC POWER CORD	K	
△	13	1C	E30-0459-05	AC POWER CORD	E	
△	13	1C	E30-0587-15	AC POWER CORD	T	
△	13	1C	E30-0812-05	AC POWER CORD	UMUE	
△	13	1C	E30-0974-05	AC POWER CORD	P	
△	13	1C	E30-1341-05	AC POWER CORD	X	
△	F1	1C	F05-2525-05	FUSE (SEMKO) (250V T2.5A)	XTE	
△	F1	1C	F05-5022-05	FUSE (250V 5A)	UMUE	
△	F1	1C	F06-5022-05	FUSE (UL) (250V 5A)	KP	
△	F2	1C	F05-2521-05	FUSE (250V 2.5A)	UMUE	
-		*	H01-5351-04	ITEM CARTON CASE	KPUM	
-		*	H01-5351-04	ITEM CARTON CASE	UEXE	
-		*	H01-5352-04	ITEM CARTON CASE	T	
-			H10-1788-04	POLYSTYRENE FOAMED FIXTURE		
-			H10-1812-02	POLYSTYRENE FOAMED FIXTURE		
-			H10-1813-02	POLYSTYRENE FOAMED FIXTURE		
-			H12-0172-04	PACKING FIXTURE		
-			H25-0223-04	PROTECTION BAG (750X350)		
-			H25-0232-04	PROTECTION BAG (235X350)		
17	2B, 2C		J02-0161-04	FOOT		
18	2A		J21-3326-05	JACK MOUNTING HARDWARE		
19	1C		J42-0083-05	POWER CORD BUSHING		
-			J61-0307-05	WIRE BAND		
22	2B		K27-1217-04	KNOB (BUTTON) METER RANGE		

E: Scandinavia & Europe H: Audio Club K: USA P: Canada

S: South Africa T: England U: PX (Far East, Hawaii)

UE: AAFES (Europe) X: Australia M: Other Areas

△ indicates safety critical components.

supplied.

PARTS LIST

× New Parts

Parts without Parts No. are not supplied.

Les articles non mentionnés dans le Parts No. ne sont pas fournis.

Teile ohne Parts No. werden nicht geliefert.

Ref. No. 参照番号	Address 位置	New Parts 新	Parts No. 部品番号	Description 部品名 / 規格	Desti- nation 向	Re- marks 備考
23	2A		K27-1290-04	KNØB (BUTTON) SPEAKERS		
24	2A		K29-1446-04	KNØB ASSY (BTN)POWER		
25	2A		K29-1683-04	KNØB VOLUME		
26	2A		K29-2016-04	KNØB TONE, BALANCE		
27	2A, 2B	*	K29-2023-04	KNØB ASSY (BTN)INPUT SELECTØR		
△ 32	1B		L01-3971-05	POWER TRANSFORMER	KP	
△ 32	1B		L01-3972-05	POWER TRANSFORMER	XT	
△ 32	1B		L01-3975-05	POWER TRANSFORMER	UMUE	
△ 32	1B		L01-3977-05	POWER TRANSFORMER	E	
36	1C		N08-0128-35	BINDING POST (GND)		
G	1A, 1B		N09-1473-05	TAPPING SCREW (Ø3X8)CASE		
△ 51	1B		S40-1073-05	PUSH SWITCH (POWER)		
△ 52	1C		S31-2083-05	SLIDE SWITCH (VOLTAGE SELECT)	UMUE	
KA-74 (Black)						
1	1A		A01-1415-02	METALLIC CABINET		
2	2A	*	A20-4238-02	PANEL ASSY	KPUM	
2	2A	*	A20-4238-02	PANEL ASSY	UEXE	
2	2A	*	A20-4239-02	PANEL ASSY	T	
6	2A	*	B03-1719-03	DRESSING PLATE (DISPLAY)		
7	2A	*	B03-1831-04	DRESSING PLATE (METER RANGE)		
-			B46-0092-03	WARRANTY CARD	K	
-			B46-0094-03	WARRANTY CARD	UE	
-			B46-0095-03	WARRANTY CARD	UE	
-			B46-0096-03	WARRANTY CARD	X	
-			B46-0121-03	WARRANTY CARD	P	
-			B46-0122-13	WARRANTY CARD	E	
-			B46-0123-03	WARRANTY CARD	T	
-		*	B50-5542-00	INSTRUCTION MANUAL (ENGLISH)	KPUM	
-		*	B50-5542-00	INSTRUCTION MANUAL (ENGLISH)	UEXE	
-		*	B50-5543-00	INSTRUCTION MANUAL (FRENCH)	PMXE	
-		*	B50-5544-00	INSTRUCTION MANUAL (SPANISH)	M	
-		*	B50-5545-00	INSTRUCTION MANUAL (ARABIC)	M	
-		*	B50-5546-00	INSTRUCTION MANUAL (ENGLISH)	T	
-		*	B50-5547-00	INSTRUCTION MANUAL (G,D,I)	E	
-			B58-0223-04	CAUTION CARD (PRE-SET 120V)	U	
-			B58-0245-33	CAUTION CARD (FTZ)	E	
-			B58-0269-04	CAUTION CARD	K	
-			B58-0513-04	CAUTION CARD (PRESET220-240)	UE	
-			B59-0092-00	SERVICE DIRECTORY	UE	
△ 12	1C		E03-0068-05	AC ØUTLET	P	
△ 12	1C		E03-0069-05	AC ØUTLET	KUMUE	
△ 13	1C		E30-0181-05	AC POWER CØRD	K	
△ 13	1C		E30-0459-05	AC POWER CØRD	E	
△ 13	1C		E30-0587-15	AC POWER CØRD	T	
△ 13	1C		E30-0812-05	AC POWER CØRD	UMUE	
△ 13	1C		E30-0974-05	AC POWER CØRD	P	
△ 13	1C		E30-1341-05	AC POWER CØRD	X	
△ F1	1C		F05-2525-05	FUSE (SEMØ) (250V T2.5A)	XTE	
△ F1	1C		F05-5022-05	FUSE (250V 5A)	UMUE	
△ F1	1C		F06-5022-05	FUSE (UL) (250V 5A)	KP	
△ F2	1C		F05-2521-05	FUSE (250V 2.5A)	UMUE	
-		*	H01-5345-04	ITEM CARTØN CASE	KPUM	

E: Scandinavia & Europe

H: Audio Club K: USA

P: Canada

S: South Africa

T: England U: PX(Far East, Hawaii)

UE: AAFES(Europe)

X: Australia - M: Other Areas

△ indicates safety critical components.

PARTS LIST

* New Parts

Parts without Parts No. are not supplied.

Les articles non mentionnés dans le Parts No. ne sont pas fournis.

Teile ohne Parts No. werden nicht geliefert.

Ref. No. 参照番号	Address 位置	New Parts 新	Parts No. 部品番号	Description 部品名 / 規格	Desti- nation 仕 向	Re- marks 備考
-		*	H01-5345-04	ITEM CARTON CASE	UEXE	
-		*	H01-5346-04	ITEM CARTON CASE	T	
-			H10-1788-04	POLYSTYRENE FOAMED FIXTURE		
-			H10-1812-02	POLYSTYRENE FOAMED FIXTURE		
-			H10-1813-02	POLYSTYRENE FOAMED FIXTURE		
-			H25-0223-04	PROTECTION BAG (750X350)		
-			H25-0232-04	PROTECTION BAG (235X350)		
17	2B, 2C		J02-0161-04	FOOT		
18	2A		J21-3326-05	JACK MOUNTING HARDWARE		
19	1C		J42-0083-05	POWER CORD BUSHING		
-			J61-0307-05	WIRE BAND		
22	2B		K27-1217-04	KNOB (BUTTON) METER RANGE		
23	2A		K27-1304-04	KNOB (BUTTON) SPEAKERS		
24	2A		K29-2001-04	KNOB ASSY (BTN) POWER		
25	2A		K29-2020-04	KNOB VOLUME		
26	2A		K29-2016-04	KNOB TONE, BALANCE		
27	2A, 2B	*	K29-2022-04	KNOB ASSY (BTN) INPUT SELECTOR		
32	1B	*	L01-3971-05	POWER TRANSFORMER	KP	
32	1B	*	L01-3972-05	POWER TRANSFORMER	XT	
32	1B	*	L01-3975-05	POWER TRANSFORMER	UMUE	
32	1B	*	L01-3977-05	POWER TRANSFORMER	E	
36	1C		N08-0128-35	BINDING POST (GND)		
S1	1B		S40-1073-05	PUSH SWITCH (POWER)		
S2	1C		S31-2083-05	SLIDE SWITCH (VOLTAGE SELECT)	UMUE	
POWER SUPPLY (X00-2320-10)						
38	1C		J13-0041-05	FUSE CLIP	KPUM	
38	1C		J13-0041-05	FUSE CLIP	UE	
38	1C		J13-0054-05	FUSE CLIP	ETX	
AUDIO UNIT (X09-2150-10)						
C3 -10			CK45FB1H561K	CERAMIC 560PF	K	ETX
C11 ,12			CF92FV1H333J	MF 0.033UF	J	
C21 -24			CF92FV1H104J	MF 0.10UF	J	ETX
C21 ,22			CF92FV1H473J	MF 0.047UF	J	KPUM
C21 ,22			CF92FV1H473J	MF 0.047UF	J	UE
C25 ,26			CC45FSL1H030C	CERAMIC 3.0PF	C	
C27 ,28			CE04FW1A101M	ELECTRO 100UF	10WV	
C29 ,30			CE04FW1A470M	ELECTRO 47UF	10WV	
C31 ,32			CE04FW1C220M	ELECTRO 22UF	16WV	
C33 ,34			CE04FW1H010M	ELECTRO 1.0UF	50WV	
C35 ,36			CC45FSL1H121J	CERAMIC 120PF	J	
C39 -42			CC45FSL1H220J	CERAMIC 22PF	J	ETX
C41 ,42			CC45FSL1H220J	CERAMIC 22PF	J	KPUM
C41 ,42			CC45FSL1H220J	CERAMIC 22PF	J	UE
C43			CF92FV1H472J	MF 4700PF	J	
C44			CE04FW1H010M	ELECTRO 1.0UF	50WV	
C45			CE04FW1H220M	ELECTRO 22UF	50WV	
C49 ,50			CE04FW1HR22M	ELECTRO 0.22UF	50WV	
C51			CE04FW1E221M	ELECTRO 220UF	25WV	
C53 ,54			CE04FW1E100M	ELECTRO 10UF	25WV	
C57 ,58		*	C90-1317-05	ELECTRO 7500UF	63WV	
C59 ,60		*	CK45FE2H682P	CERAMIC 6800PF	P	
C61 -68			CF92FV1H472J	MF 4700PF	J	ETX

E: Scandinavia & Europe H: Audio Club K: USA

P: Canada

S: South Africa T: England U: PX(Far East, Hawaii)

UE: AAFES(Europe) X: Australia -M: Other Areas

⚠ indicates safety critical components.

PARTS LIST

× New Parts

Parts without Parts No. are not supplied.

Les articles non mentionnés dans le Parts No. ne sont pas fournis.

Teile ohne Parts No. werden nicht geliefert.

Ref. No. 参照番号	Address 位置	New Parts 新	Parts No. 部品番号	Description 部品名 / 規格	Desti- nation 仕 向	Re- marks 備考
C69 -72			CF92FV1H104J	MF 0.10UF J	ETX	
C73 ,74			CF92FV1H333J	MF 0.033UF J		
C81 -83			CK45FF1H103Z	CERAMIC 0.010UF Z		
C85 ,86			CF92FV1H102J	MF 100PF J		
C94			CE04FW1H330M	ELECTRN 33UF 50WV		
C95 ,96			CK45FB1H471K	CERAMIC 470PF K		
C97			CE04FW1H010M	ELECTRN 1.0UF 50WV		
C98			CE04FW1H100M	ELECTRN 10UF 50WV		
C99			CE04FW1H101M	ELECTRN 100UF 50WV		
40	1C		E13-0229-05	PHONE JACK (2P)		
41	1C		E13-0497-05	PHONE JACK (4P)		
44	1C		E13-0814-05	PHONE JACK (8P)		
45	1B		E20-0822-05	LOCK TERMINAL BOARD(8P)		
E	1B		N09-0333-05	TAPPING SCREW (Ø3X12)		
CP1 ,2			R90-0187-05	MULTI-COMP 0.22X2 K 5W		
R21 ,22			RS14DB3D100J	FL-PROOF RS 10 J 2W		
R41 ,42			RD14AB2E331J	FL-PROOF RD 330 J 1/4W		
R43			RD14GB2E331J	FL-PROOF RD 330 J 1/4W		
R44			RD14AB2E331J	FL-PROOF RD 330 J 1/4W		
R45 ,46			RD14AB2E332J	FL-PROOF RD 3.3K J 1/4W		
R47 ,48		*	RD14AB2E752J	FL-PROOF RD 7.5K J 1/4W	ETX	
R47 ,48			RD14AB2E822J	FL-PROOF RD 8.2K J 1/4W	KPUM	
R47 ,48			RD14AB2E822J	FL-PROOF RD 8.2K J 1/4W	UE	
R63			RD14AB2E820J	FL-PROOF RD 82 J 1/4W		
R91			RD14AB2E270J	FL-PROOF RD 27 J 1/4W		
R93 ,94		*	RS14DB3A332J	FL-PROOF RS 3.3K J 1W		
R95		*	RS14KB3D332J	FL-PROOF RS 3.3K J 2W		
R101-104			RS14DB3D100J	FL-PROOF RS 10 J 2W	ETX	
VR1 ,2			R12-0306-05	TRIMMING POT. (500) BIAS ADJ		
VR3	2B		RD6-5131-05	POTENTIOMETER(100KX2) VOLUME		
VR4	1B	*	RD1-5052-05	POTENTIOMETER(200K) BALANCE		
S1	1A		S42-2110-05	MULTIPLE PUSH SWITCH(SPEAKERS)		
S2	2C	*	S42-5044-05	MULTIPLE PUSH SWITCH(SELECTOR)		
S5	2C		S40-2333-05	PUSH SWITCH (METER RANGE)		
△ D1 -4			S3V20	DIODE		
D5 ,6			RD16E(B)	ZENER DIODE		
D7 ,8			DSM1A1	DIODE		
D9			RD13E(B)	ZENER DIODE		
D10			DSM1A1	DIODE		
D11 -16			1S1555	DIODE		
D11 -16			1S2076	DIODE		
D17 ,18			1S2076A	DIODE		
D21 -24			1S2076A	DIODE	ETX	
D21 -28			1S2076A	DIODE	KPUM	
D21 -28			1S2076A	DIODE	UE	
D29			RD24E(B)	ZENER DIODE	KPUM	
D29			RD24E(B)	ZENER DIODE	UE	
D30			1S2076A	DIODE	KPUM	
D30			1S2076A	DIODE	UE	
Q1 ,2			2SC1740S(Q,R)	TRANSISTOR		
Q1 ,2			2SC945(A)(Q,P)	TRANSISTOR		
Q3 ,4			2SC2837	TRANSISTOR		
△ Q5 ,6			2SA1186	TRANSISTOR		

E: Scandinavia & Europe H: Audio Club K: USA

P: Canada

S: South Africa T: England U: PX(Far East, Hawaii)

UE: AAFES(Europe) X: Australia -M: Other Areas

△ indicates safety critical components.

PARTS LIST

* New Parts

Parts without Parts No. are not supplied.

Les articles non mentionnes dans le Parts No. ne sont pas fournis.

Teile ohne Parts No. werden nicht geliefert.

Ref. No. 参照番号	Address 位置	New Parts 新	Parts No. 部品番号	Description 部品名 / 規格	Desti- nation 仕 向	Re- marks 備考
Q7 ,8 Q9 ,10 Q11 Q11 Q12			25C2590(R,S) 25A1110(R,S) 25C1845(F,E) 25C1845(F,E) 25A733(A)(Q,P)	TRANSISTOR TRANSISTOR TRANSISTOR TRANSISTOR TRANSISTOR	KPUM UE KPUM	
Q12 Q12 Q12 Q13 ,14 Q13 ,14			25A733(A)(Q,P) 25A933S(Q,R) 25A933S(Q,R) 25C1740S(Q,R) 25C945(A)(Q,P)	TRANSISTOR TRANSISTOR TRANSISTOR TRANSISTOR TRANSISTOR	UE KPUM UE	
Q15 Q16 Q16 Q17 Q17			25C1845(F,E) 25A733(A)(Q,P) 25A933S(Q,R) 25C1740S(Q,R) 25C945(A)(Q,P)	TRANSISTOR TRANSISTOR TRANSISTOR TRANSISTOR TRANSISTOR		
Q18 Q19 ,20			25C2167(Q,Y) 25C945(A)(Q)	TRANSISTOR TRANSISTOR		
CONTROL UNIT (X11-2120-10)						
D1 -20 PL1	2A,2B 2A		B30-0431-05 B30-0284-05	LED(LN21CPH)IND,PK LEVEL METER LAMP(12V 0.11A)		
C1 ,2 C3 ,4 C5 ,6 C7 ,8 C9 ,10			CF92FV1H153J CF92FV1H683J CF92FV1H682J CF92FV1H333J CC45FSL1H331J	MF 0.015UF J MF 0.068UF J MF 6800PF J MF 0.033UF J CERAMIC 330PF J		
C11 ,12 C13 ,14 C15 ,16			CF92FV1H152J CE04FW1H010M CE04JW1V100M	MF 1500PF J ELECTRO 1.0UF 50WV ELECTRO 10UF 35WV		
49	1B		E11-0156-05	PHONE JACK (3P)		
R9 ,10 VR1 ,2	1B	*	RS14KB3D561J R06-5138-05	FL-PROOF RS 560 J 2W POTENTIOMETER (100KX2) TONE		
Q1 ,2 Q1 ,2 Q1 ,2			25A1127NC(R,S) 25A733(A)(Q,P) 25A999(E,F)	TRANSISTOR TRANSISTOR TRANSISTOR		
SWITCH UNIT (X13-4850-10)						
C1 ,2			CE04FW1HR22M	ELECTRO 0.22UF 50WV		
S1	2B	*	S42-3101-05	PUSH SWITCH (TAPE,DISC,SUB)		
PRE AMP UNIT (X85-1030-10)						
C1 ,2 C3 ,4 C5 ,6 C7 ,8 C9 ,10			CE04FW1C100M CE04FW1A470M CF92FV1H123J CF92FV1H332J CE04FW1H2R2M	ELECTRO 10UF 16WV ELECTRO 47UF 10WV MF 0.012UF J MF 3300PF J ELECTRO 2.2UF 50WV		
C11 ,12 C15 ,16 C15 ,16 C15 ,16 C17 ,18			CK45FF1H103Z CK45FB1H222K CK45FB1H561K CK45FB1H561K CC45FSL1H101J	CERAMIC 0.010UF Z CERAMIC 2200PF K CERAMIC 560PF K CERAMIC 560PF K CERAMIC 100PF J	ETX KPUM UE KPUM	
C17 ,18 C17 ,18			CC45FSL1H101J CC45FSL1H221J	CERAMIC 100PF J CERAMIC 220PF J	UE ETX	

E: Scandinavia & Europe H: Audio Club K: USA P: Canada

S: South Africa T: England U: PX(Far East, Hawaii)

UE: AAFES(Europe) X: Australia -M: Other Areas

⚠ indicates safety critical components.

PARTS LIST

× New Parts

Parts without Parts No. are not supplied.

Les articles non mentionnés dans le Parts No. ne sont pas fournis.


Telle ohne Parts No. werden nicht geliefert.

Ref. No. 参照番号	Address 位置	New Parts 新	Parts No. 部品番号	Description 部品名 / 規格	Desti- nation 仕向	Re- marks 備考
IC1 IC1			AN6556 M5218P	IC(OP AMP X2) IC(OP AMP X2)		
PRE AMP UNIT (X85-1040-10)						
C1 ,2 C3 ,4			CE04FW1H3R3M CC45FSL1H221J	ELECTRN 3.3UF 50WV CERAMIC 220PF J		
R11 ,12 R13 ,14		*	RD14AB2E271J RD14AB2E181J	FL-PROOF RD 270 J 1/4W FL-PROOF RD 180 J 1/4W		
Q1 -4 Q5 -8			2SA992(F,E) 2SC1845(F,E)	TRANSISTOR TRANSISTOR		

E: Scandinavia & Europe H: Audio Club K: USA P: Canada

S: South Africa T: England U: PX(Far East, Hawaii)

UE: AAFES(Europe) X: Australia -M: Other Areas

 indicates safety critical components.

SPECIFICATIONS

EIA

Power Amplifier Section

Power Output

75 watts* per channel minimum RMS, both channels driven at 8 ohms from 20 Hz to 20,000 Hz with no more than 0.09% total harmonic distortion

Both Channels Driven into

8 ohms at 1 kHz	80 W + 80 W (Except USA, Europe and U.K.)
4 ohms at 1 kHz	80 W + 80 W (Except USA, Europe and U.K.)

Total Harmonic Distortion

(AUX-SPKR 8 Ω)

at Rated Output,
20 Hz ~ 20,000 Hz.....0.09%

at 1/2 Rated Output,
20 Hz ~ 20,000 Hz.....0.05%

at 1/2 Rated Output,
1,000 Hz.....0.03%

(PHONO-SPKR 8 Ω : at -20 dB VOLUME Level)

at Rated Output,
1,000 Hz.....0.04%

Intermodulation Distortion

(60 Hz:7 kHz = 4:1).....0.02% at rated power
into 8 ohms

Damping Factor.....20 (1,000 Hz into 8 ohms)

Frequency Response.....10 Hz to 100 kHz,
+0 dB, -3 dB

Input Sensitivity/Impedance

Phono MM.....2.5 mV/47 k ohms

TUNER, CD/AUX., TAPE PLAY 150 mV/25 k ohms

Signal-to-Noise Ratio (IHF-A)

Phono MM.....73 dB for 2.5 mV input

Phono MM.....79 dB for 5.0 mV input

TUNER, CD/AUX., TAPE PLAY 100 dB

Maximum Input Level for Phono

MM.....150 mV (RMS), T.H.D. 0.05%
at 1 kHz

Output Level/Impedance

TAPE REC (Pin).....150 mV/3.3 k ohms

Frequency Response for Phono.....RIAA standard curve ±0.5 dB
(30 Hz to 20,000 Hz)

Tone Control

Bass.....±10 dB at 100 Hz

Treble.....±8 dB at 10 kHz

Loudness Control

(at -30 dB VOLUME Level).....+8 dB at 100 Hz

Subsonic Filter.....18 Hz, 6 dB/oct.

General

Power Consumption.....3 A (USA and Canada: UL and
CSA)

200 W (Others)

AC Outlets.....Switched 2, Unswitched 1
(Except some countries)

Dimensions.....W: 420 mm (16-9/16")

H: 109 mm (4-5/16")

D: 280 mm (11")

Weight (Net).....7.0 kg (15.4 lb)

* Measured pursuant to Federal Trade Commission's Trade Regulation rule on Power Output Claims for Amplifier in U.S.A.

IEC/NF

European and U.K. models

Power Amplifier Section

Rated Power Output

1 kHz, 4 ohms.....80 W + 80 W

4 ohms at 60 Hz to 12.5 kHz

no more than 0.7% THD (IEC/NF).....80 W + 80 W

8 ohms at 60 Hz to 12.5 kHz

no more than 0.7% THD (IEC/NF).....60 W + 60 W

Total Harmonic Distortion

Rated Power Output into 8 ohms.....0.09%

Intermodulation Distortion.....0.02%

Frequency Response.....10 Hz ~ 100 kHz
+0 dB, -3 dB

S/N Weighted: Rated Output Power (IEC-A)

() = Unweighted at 50 mW (DIN)

Phono MM.....73 dB (56 dB)

TUNER, CD/AUX., TAPE PLAY.....100 dB (56 dB)

Damping Factor at 8 ohms, 1,000 Hz.....20

Input Sensitivity/Impedance

Phono MM.....2.5 mV/47 kΩ

TUNER, CD/AUX., TAPE PLAY.....150 mV/25 kΩ

Tone Control

Bass 100 Hz.....±10 dB

Treble 10 kHz.....±8 dB

Loudness Control (-30 dB).....+8 dB at 100 Hz

Subsonic Filter.....18 Hz, 6 dB/oct.

General

Power Consumption

IEC.....200 W

Dimensions.....W: 420 mm

H: 109 mm

D: 280 mm

Weight (Net).....7.0 kg

Kenwood follows a policy of continuous advancements in development. For this reason specifications may be changed without notice.

Kenwood poursuit une politique de progrès constants en ce qui concerne le développement. Pour cette raison, les spécifications sont sujettes à modifications sans préavis.

Kenwood strebt ständige Verbesserungen in der Entwicklung an. Daher bleiben Änderungen der technischen Daten jederzeit vorbehalten.