

| Model No. | Crosley Radio Corporation Color |
|-----------|---------------------------------|
| 10-135 | Dulux White and Chrome |
| 10-136E | Ebony and Gold |
| 10-137 | Chartreuse and Gold |
| 10-138 | Maroon and Gold |
| 10-139 | Aqua and Chrome |
| 10-140 | Metallic Green and Chrome |



DESCRIPTION

TYPE: Five-tube, single band, Superheterodyne

FREQUENCY RANGE: 540 to 1600 kc.

INTERMEDIATE FREQUENCY: 455 kc.

POWER SUPPLY: a.c.-d.c.

VOLTAGE RATING: 105-125 volts.

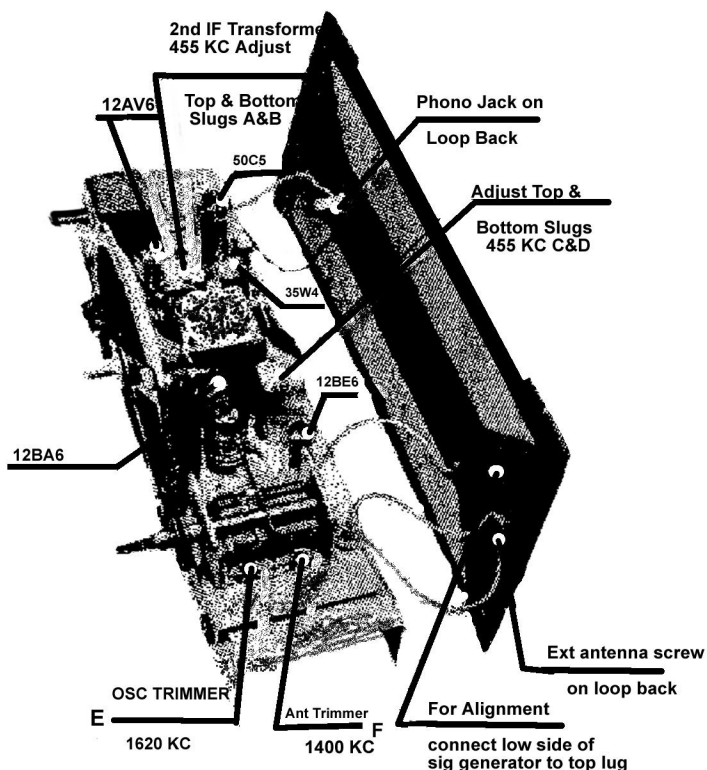
POWER CONSUMPTION: 30 watts.

POWER OUTPUT: 1 watt maximum.

Courtesy of nucow.com

TUBE COMPLEMENT

| Type | Function |
|----------------|------------------------------------|
| 12BE6 | Converter |
| 12BA6 or 6BJ6 | I. F. Amplifier |
| 12AV6 or 12AT6 | Detector, AVC, 1st A. F. Amplifier |
| 50C5 | A. F. Power Output |
| 35W4 | Rectifier |



Chassis Top View

When using direct current it may be necessary to reverse the position of the power plug in the electric outlet for correct polarity.

Reversing the position of the power plug when alternating current is used may reduce hum.

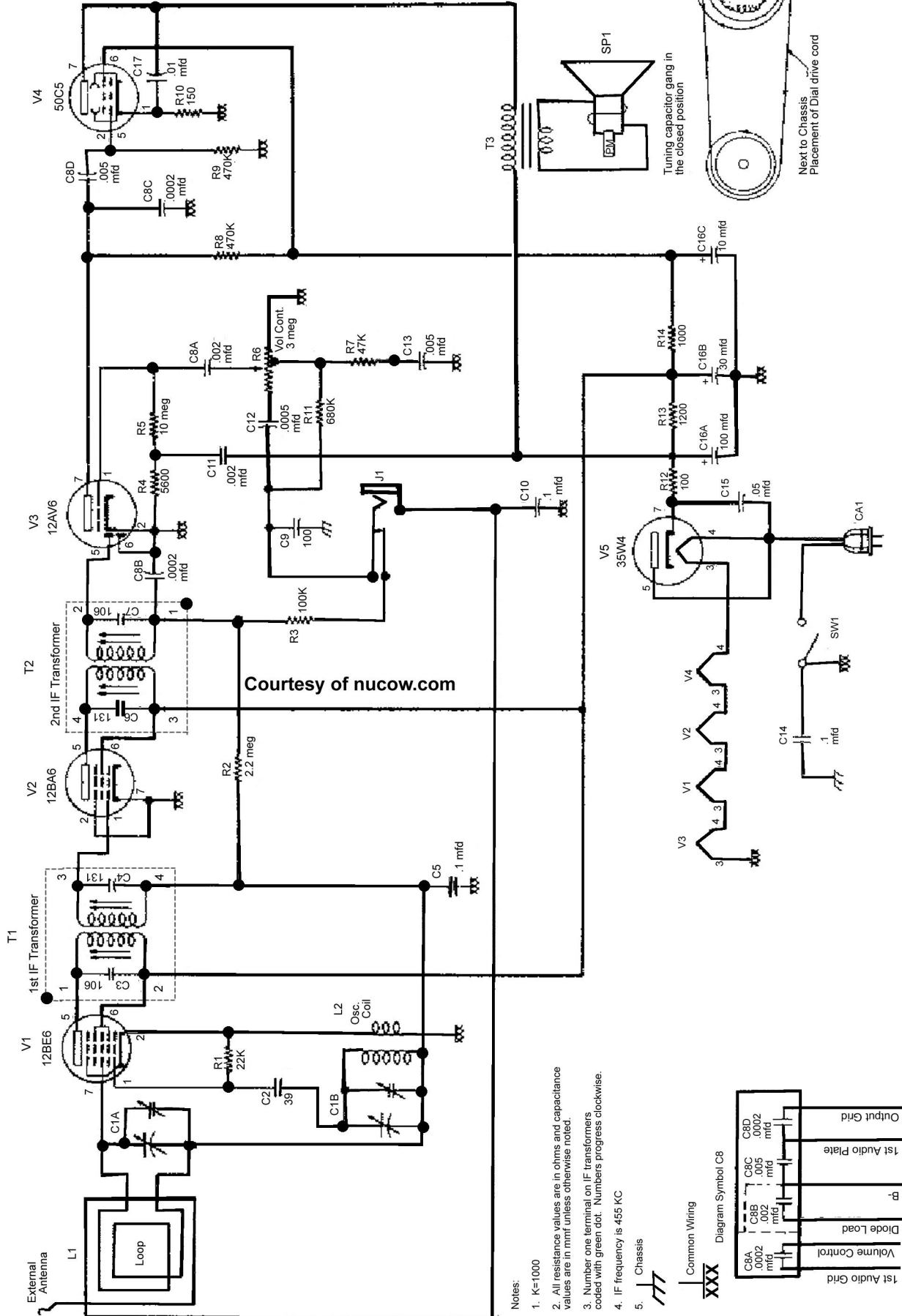
Under no circumstances should a ground be connected to this receiver.

Phonograph connection—To use a record player with this receiver insert the pickup plug of the record player into the Phono jack on back of receiver (this automatically switches the receiver from radio to phonograph operation). Connect the power cord of the record player to a convenient electric outlet of the correct voltage and frequency. Operate the record player in the normal manner. The controls of the receiver operate the same as for radio programs.

To again use the receiver for radio operation it is necessary to remove the pickup plug of the record player from the Phono jack.

Crosley Radio Corporation

Models: 10-135, 10-136E, 10-137, 10-138, 10-139, 10-140



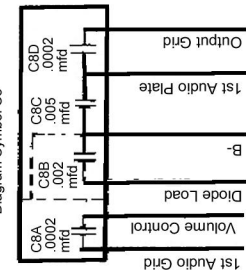
Notes:

1. K=1000
2. All resistance values are in ohms and capacitance values are in mmf unless otherwise noted.
3. Number one terminal on IF transformers coded with green dot. Numbers progress clockwise.
4. IF frequency is 455 KC
5. Chassis

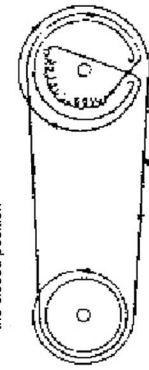
Common Wiring

XXX

Diagram Symbol C8



Tuning capacitor gang in the closed position



Next to Chassis Placement of Dial drive cord

Alignment Procedure

Connect an output meter across the speaker voice coil.

The r.f. signal input from the signal generator should be connected, through a 200 mmf. capacitor, to the external antenna screw. Connect the signal generator ground to the top lug on loop antenna (see Chassis Top View, page 1).

Position loop antenna to simulate its position when chassis and antenna are in cabinet.

Turn the volume control on full and adjust the signal generator output to produce approximately midscale deflection of the output meter, but maintain signal generator output as low as possible to prevent AVC action in the receiver.

Alignment Chart

Alignment adjustment locations are shown on page 1, "CHASSIS, TOP VIEW."

| Alignment Sequence | Signal Generator Output | | | Position of Dial Pointer | Adjust for Maximum Output |
|--------------------|-------------------------|----------------|---------------------|--------------------------|---------------------------|
| | Frequency in kc. | In Series with | To | | |
| 1 | 455 | 200 mmf. | External Ant. Screw | 1620 | * A, B, C & D |
| 2 | 1620 | 200 mmf. | External Ant. Screw | 1620 | E |
| 3 | 1400 | 200 mmf. | External Ant. Screw | 1400 | F |

* Repeat adjustments until maximum output is obtained.

Courtesy of nucow.com

On some sets of models 10-135 to 10-140 , R2 is a 3.3 megohm, 10%, 1/2 watt resistor instead of a 2.2 megohm resistor; and because of this C5 is an .05 mfd., 600 volt paper capacitor (Part No. 39001-17).

