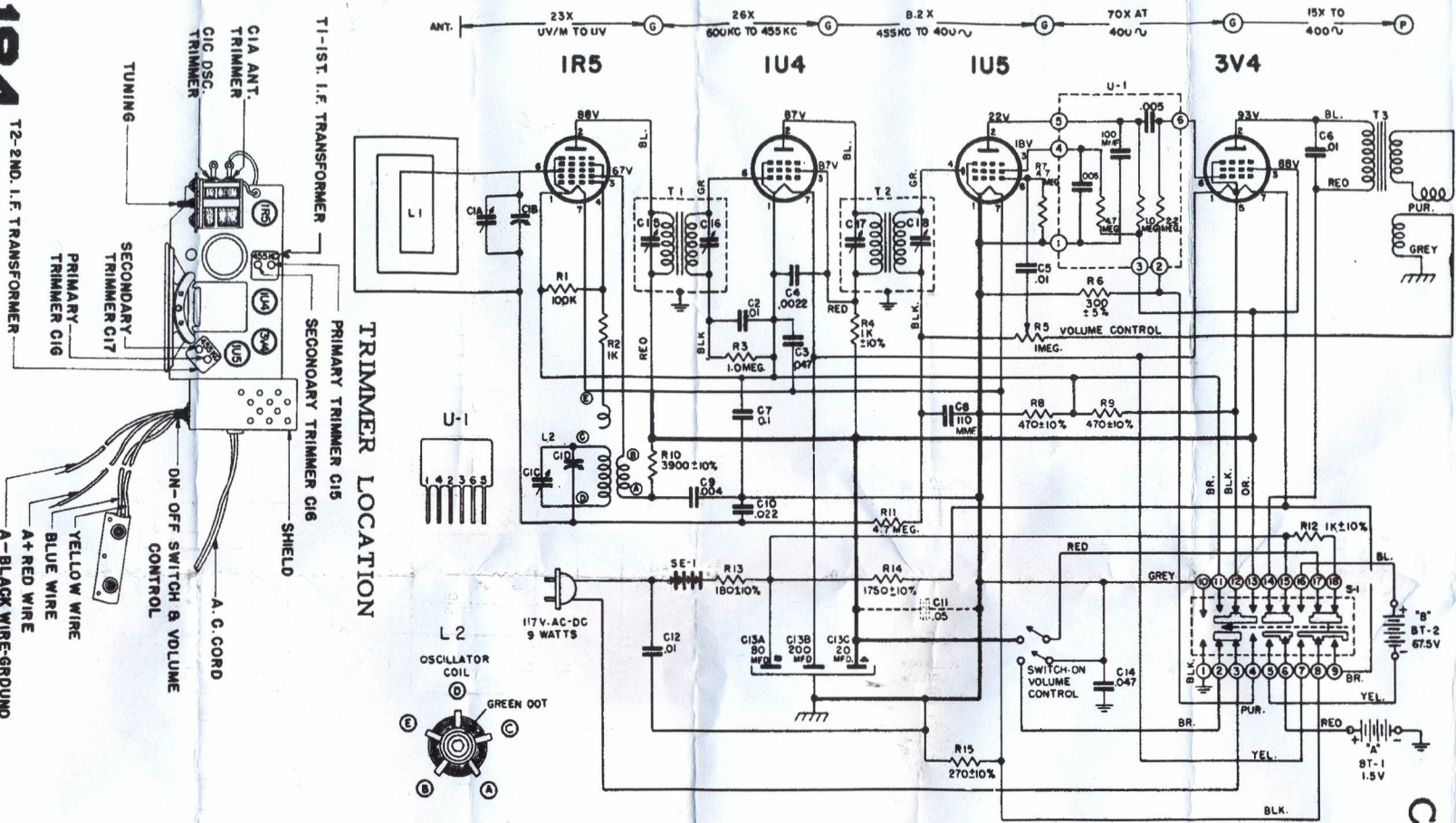


MANUAL OF 1953 MOST-OFTEN-NEEDED RADIO DIAGRAMS
ZENITH RADIO MODEL L403Y, R, G, F
CHASSIS 4L41

184

T2-2ND. I.F. TRANSFORMER



ALIGNMENT PROCEDURE

OPERATION	CONNECT OSCILLATOR TO	DUMMY ANTENNA	INPUT SIG. FREQUENCY	SET DIAL AT	TRIMMERS	PURPOSE
1	Converter Grid	.5 Mfd.	455 Kc.	600 Kc.	C15, 16, 17, 18	For I.F. Alignment
2	Single Turn Loosely Coupled to Wavemagnet	----	1600 Kc.	1600 Kc.	C1C	Set Oscillator to Dial Scale
3		----	1400 Kc.	1400 Kc.	C1A	Antenna Alignment

CHANGE OVER SWITCH S-1 SHOWN IN POSITION FOR A.C.-D.C. OPERATION.

DENOTES COMMON RETURN B-

DENOTES CHASSIS

NOTE:
 USE ONLY ZENITH NON-INDUCTIVE ELECTROLYTIC CONDENSER FOR REPLACEMENT. IF ANY OTHER TYPE OF ELECTROLYTIC IS USED IT WILL BE NECESSARY TO ADD PARTS SHOWN IN DOTTED LINES
 ALL VOLTAGES ARE MEASURED FROM COMMON RETURN TO POINTS INDICATED WITH A O.C. VACUUM TUBE VOLTMETER
 ALL RESISTORS ARE 20% TOLERANCE UNLESS OTHERWISE SPECIFIED.
 I.F. FREQUENCY 455 KC TUNING RANGE 535-1620KC. STANDARD B.C.