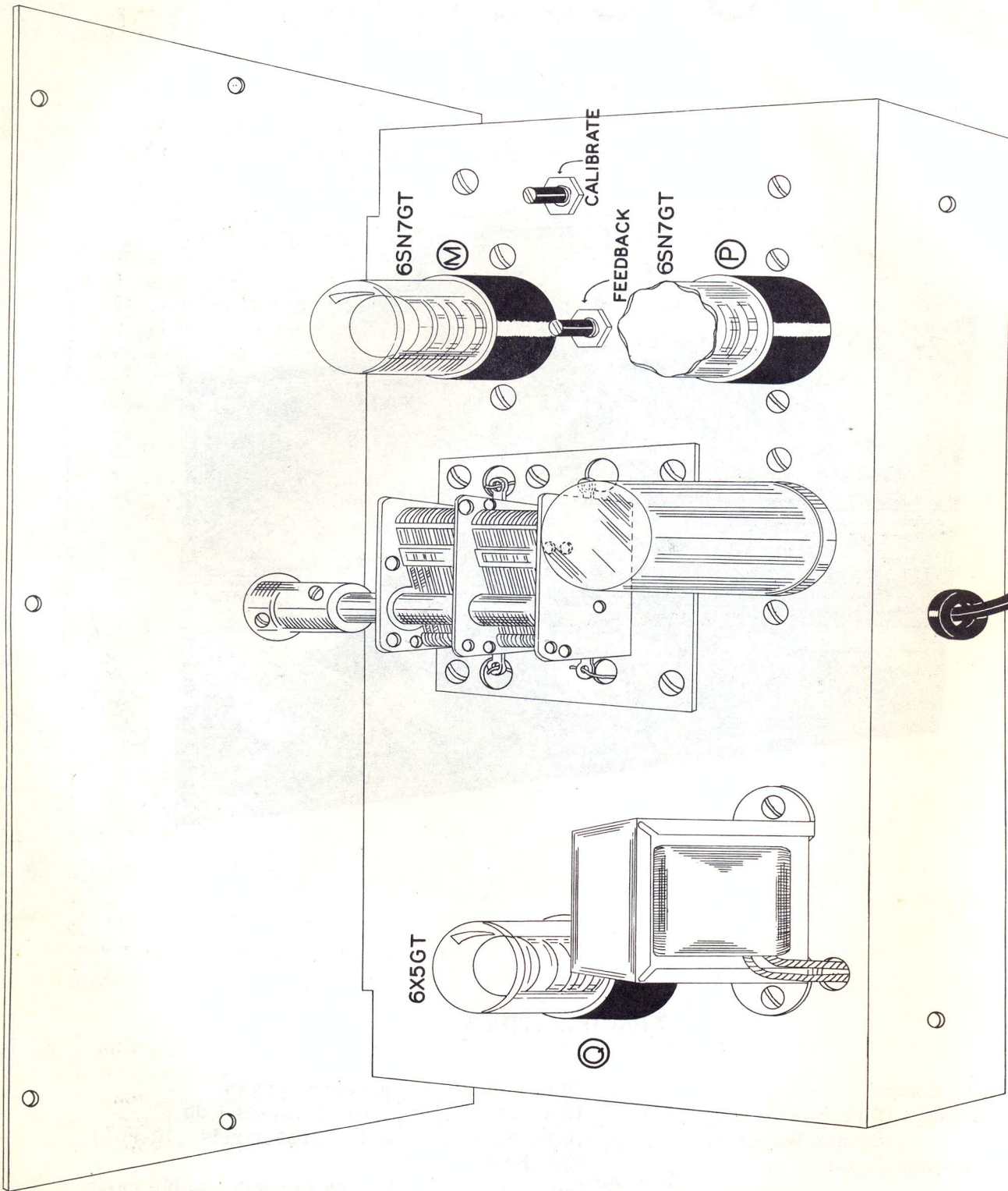


# HEATHKIT MODEL AO-1 AUDIO OSCILLATOR

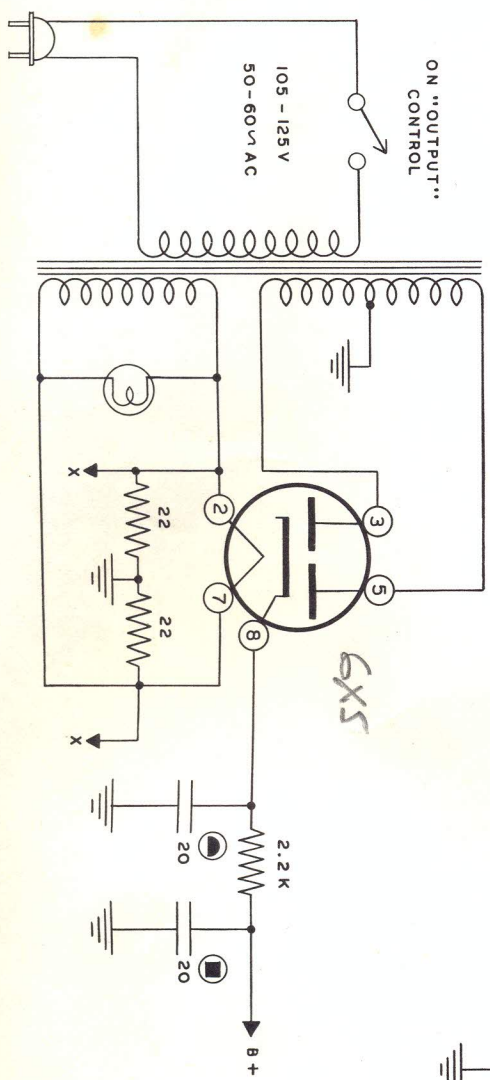
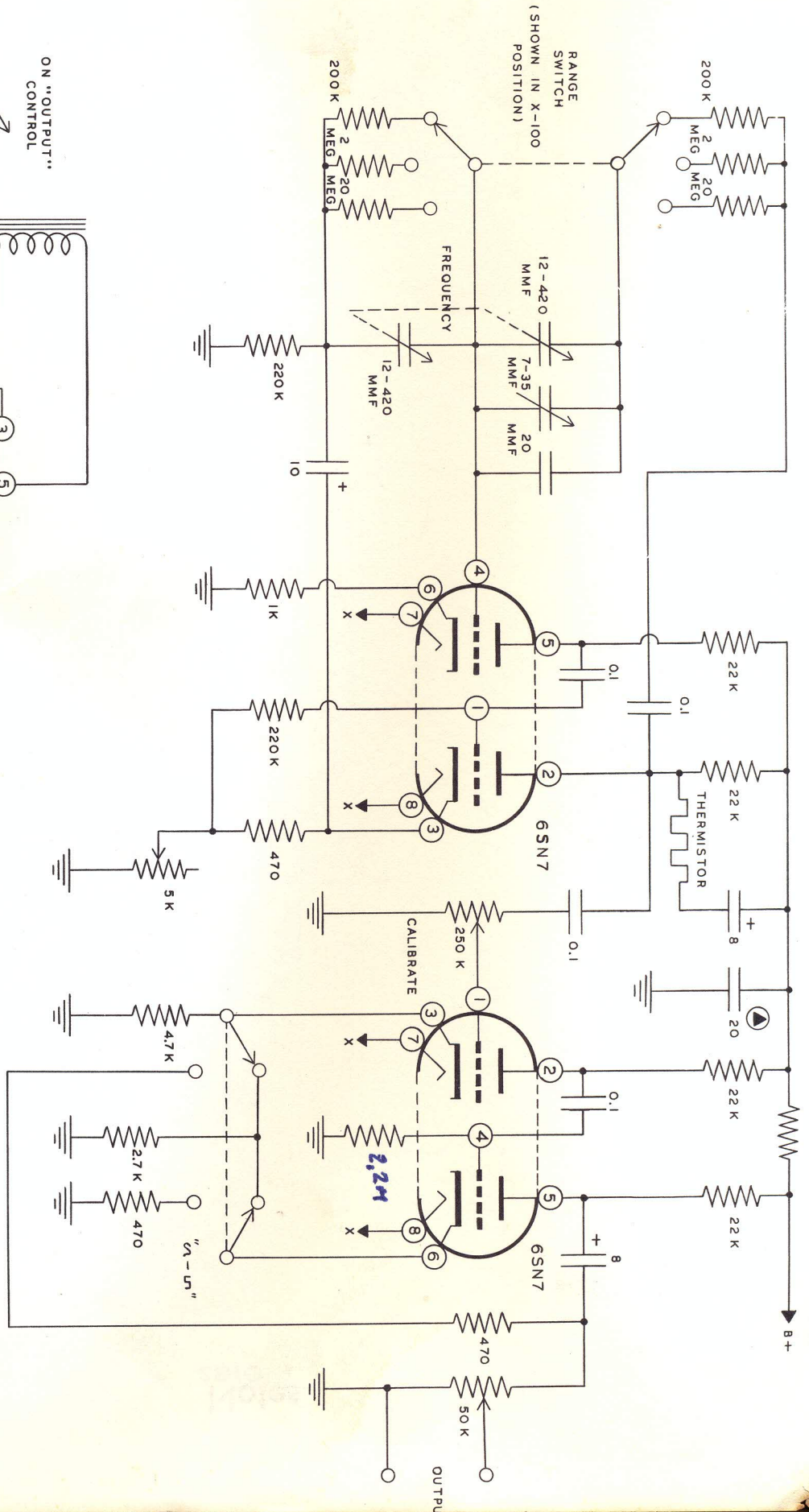


## SPECIFICATIONS

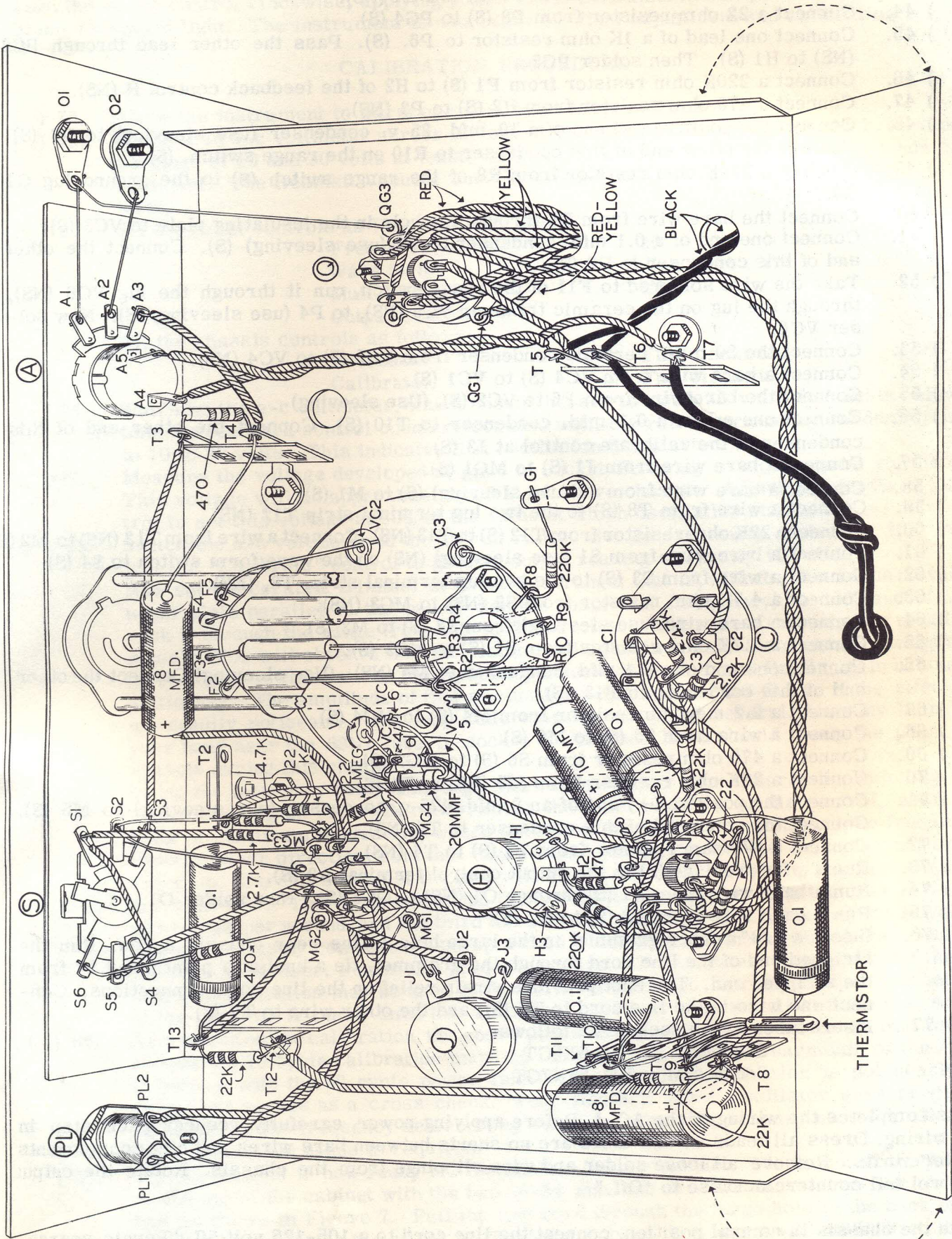
Frequency Range	20 to 20,000 cps, in three ranges
Output Voltage (Sine Wave)	10 volts, no load, plus or minus 1 db.
" (Square Wave)	10 volts, rise time 2 microseconds, (10-90%)
Generator Impedance	600 ohms
Distortion	Less than 0.6%, 100 cps through audible range
Power Requirements	30 watts, 105-125 volts, 50-60 cycles AC
Dimensions	7½" high, 13¼" wide, 7½" deep.
Shipping Weight	14 lbs.



PICTORIAL A  
Top Chassis Layout



**AUDIO OSCILLATOR**  
Model AO-1



**PICTORIAL C**  
Wiring Diagram