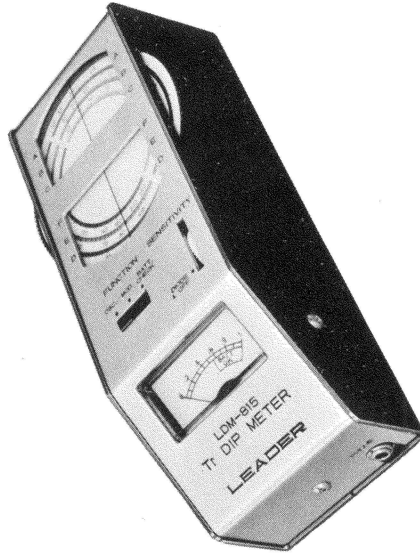


MODEL LDM - 815

**TR DIP METER**

INSTRUCTION MANUAL



**LEADER ELECTRONICS CORP.**

2-6-33 TSUNASHIMA-HIGASHI, KOHOKU-KU,  
YOKOHAMA, JAPAN.

PHONE: (045) 541-2121 TELEX: J47780 JPLEADER

**LEADER INSTRUMENTS CORP.**

380 OSER AVENUE, HAUPPAUGE, N.Y. 11788 U.S.A.

PHONE: (516) 231-6900

TELEX: 510-227-9669 LEADER HAUP

**LEADER ELECTRONICS CORP.**

## 1. GENERAL

LDM-815 is a transistorized dip meter for rapidly checking circuits and components in receivers, transmitters, antennas, etc., in the 1.5 to 250MHz range. It is designed for many applications in Amateur Radio stations and service shops.

## 2. SPECIFICATIONS

Frequency Range : 1.5 to 250MHz with six plugin coils:

Band	Range	Color Code
A	1.5 ~ 4MHz	Red
B	3.3 ~ 8MHz	Yellow Red
C	6.8 ~ 18MHz	Yellow
D	18 ~ 47MHz	Yellow Green
E	45 ~ 110MHz	Blue
F	100 ~ 250MHz	Purple

Modulation : Approx. 2kHz; sine wave  
Crystal Oscillator : 1-15MHz, crystal in FT-243 holder  
Power Supply : 9 volt battery: 006p, NEDA 1604, Eveready 216, Burgess 2U6, or equivalent

**Current Consumption** : 2mA, maximum

Semiconductor

Complement : 2 transistors and 1 diode

Size and Weight : 175 (H) × 65 (W) × 50 (D) mm;

$6 \frac{7}{8}$ " (H) × 2  $\frac{9}{16}$ " (W) × 2" (D)

approx. 0.5 kg

1.1 lbs.

Accessories, Supplied : Earphone plug 1ea.

### 3. PANEL CONTROLS

- Frequency dial : Six frequency scales calibrate according to bands and color of the coil in use.
- Meter : For indicating resonance and for battery check; sensitivity is  $100\mu\text{A}$  at full scale.
- Function switch : Three positions
- OSC : For use as a dip meter or absorption wavemeter.
- MOD : Applies 2kHz AM to the carrier output.
- BATT : For checking condition of CHECK internal battery.
- SENSITIVITY adjuster with switch : Adjusts the output level of the oscillator; at OFF, the power supply is cut off and the instrument can be used as an absorption wavemeter.
- Earphone jack : For monitoring AM signals with a crystal earphone (not supplied).

### 4. CIRCUIT DESCRIPTION

The RF oscillator is a Colpitts type using a silicon transistor. The RF voltage is rectified with a diode and the current is indicated on the  $100\mu\text{A}$  DC meter. When the dip meter frequency is in resonance with the external circuit, the meter pointer will dip. The strength of the oscillator output is controlled with the SENSITIVITY adjuster.

When required, amplitude modulation can be applied to the RF oscillator output. A twin-T type circuit is used for the 2kHz source.

In the absorption wavemeter function, the RF oscillator power is cut off and the tuned and diode-meter circuits are used.

### 5. PRECAUTIONS IN OPERATION

1. During standby periods or when the dip meter is not in use, set SENSITIVITY adjuster at OFF (clicked). This will prolong battery life.
  2. Handle the coils carefully when inserting or removing same from the socket.
  3. During measurements, the coil should be loosely coupled to the test circuit. The coupling must be as loose as possible to obtain proper meter indication. Close coupling will introduce errors in measurement.
- IMPORTANT!** When checking transmitting equipment, close coupling will damage the diode detector by overload.
4. Disconnect the battery from the internal circuit when the dip meter is not in use for long periods.

### 6. OPERATION

1. Battery Check and Replacement
  1. Set FUNCTION at BATT CHECK.
  2. Advance SENSITIVITY to power at on (clicked condition). The meter pointer should swing to the BATT OK portion on the scale. If not, renew the battery.
- NOTE: To install or replace the battery, remove the covers as follows:

Remove the two screws each at the right and left sides of the instrument; take off the covers. Loosen

the battery clamp screw at center of the chassis and take out the battery. Remove the snap terminals from the battery. To install; reverse steps. Tighten the clamp screw and put on the side covers.

3. After this check, set **SENSITIVITY at OFF** (clicked).

2 Use as a Dip Meter

1. Plug the coil for the band in use in the socket.

2. Set **FUNCTION at OSC.**

3. Advance **SENSITIVITY** past the click point so that the meter pointer swings to about 0.8.

**NOTE:** When the "F" coil is used, there will be some variation in the meter deflection as the frequency dial is rotated. This effect will be present when the coil is not coupled to the test circuit. Care must be taken during use not to confuse this condition with the actual dip caused by the test circuit.

4. Couple the coil loosely to the test circuit and rotate the frequency dial in small steps until a dip is observed on the meter. (When there are two dips close together, place the coil farther from the test circuit.)

5. Adjust the frequency dial until the maximum dip is obtained.

6. Note the frequency on the frequency dial.

7. Set **SENSITIVITY at OFF** (clicked) after the tests.

8. Examples of typical coupling methods are shown in Fig. 1. **NOTE:** It is important that the power, if applied, to the test circuit is turned off.

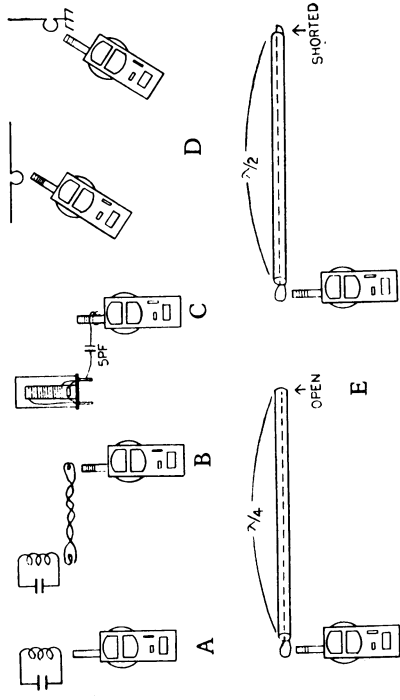


Fig. 1 Dip meter coupling methods.

A and B : Direct or link types.

C : For shielded circuits; the coupling capacitor should be as small as possible.

D : Determination of resonant frequency of an antenna; use a 1-turn coil in the antenna. (For vertically grounded antennas, do not forget to make the ground connection.)

E : **Determination of electrical length of quarter-wave and half-wave coaxial feeders.**

3 Use as an Absorption Wavemeter

1. Plug the coil for the band in use in the socket.

2. Set **SENSITIVITY at OFF** (clicked).

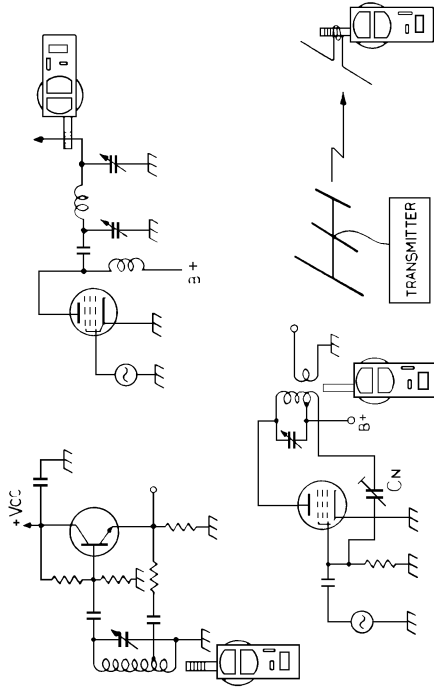
3. Set **FUNCTION at OSC.**

4. When the coil is coupled to the coil in an oscillator, or RF tank coil in a transmitter, the meter pointer will swing upward when tuned to resonance. The amount of the swing depends on the strength of the oscillations and/or coupling distance.

**NOTE:** In checking transmitters, take care that the energy picked up will not overload the instrument, otherwise the diode detector will be damaged. Further, do not touch any of the high voltage points within the transmitter; safety is important.

**5. Read the frequency.**

6. Typical applications are shown in Fig. 2.



**Fig. 2 Absorption wavemeter applications.**

**A :** Measurement of oscillator frequency.

**B :** Measurement of frequency at the transmitter output. To check for harmonics or parasitics, slowly rotate the frequency dial for the indications; change the coils as necessary. The meter deflection will indicate the relative strength of these signals.

**C :** Neutralizing adjustments can be made by first cutting off DC supply to the plate and screen grid circuits. The

tank circuit is then tuned for maximum indication. Next the neutralizing capacitor,  $C_N$ , is adjusted for minimum indication.

**D :** Use as a field strength meter is shown. A short antenna is coupled to the coil for signal pickup. When the wavemeter is tuned to the operating frequency and at different positions around the antenna, the relative field strength will be indicated on the meter.

**4 Short Wave Receiver Testing**

In this application, the dip meter is used as a simple test oscillator, with or without amplitude modulation.

The test frequency is set with the suitable coil and frequency dial. The dip meter is placed near the receiver; the "input signal strength" can be varied with the distance between the dip meter and the receiver.

For operation, set **SENSITIVITY** for RF output.

Communications receivers with beat oscillators can be tested by setting **FUNCTION** at **OSC** for the CW signal.

When an **AM** signal is required, set **FUNCTION** at **MOD**. A tone of approximately 2kHz will be heard in the loudspeaker.

Adjustments, as required, can be made, with the respective signals, in the receiver circuits.

**5 Monitoring Phone Signals**

The wavemeter application, see Sect. 5.3, can be used for monitoring **AM** phone signals.

A crystal earphone is connected to the earphone plug and the plug is inserted in the **PHONE** jack.

Tune to the RF test frequency using the proper coil. For "remote" indication of the modulated output, a  $100\mu A$  DC meter can be connected to the earphone plug; the inner

contact is the + side.

6 Use as a Crystal Oscillator

In place of the coil, a quartz crystal, 1 - 15MHz, in the FT-243 holder, inserted in the socket will produce output at the crystal frequency.

Set FUNCTION at OSC and SENSITIVITY as required for the output. The frequency dial is rotated until the most stable condition is obtained.

Set the dip meter near the receiver for signal pickup.

For modulated output, set FUNCTION at MOD.

7 Audio Signal Output

Set up the instrument for dip meter operation, see Sect. 2, in the socket (However, the RF is not used.)  
Set FUNCTION at MOD.

Audio output at approximately 2kHz is available at the PHONE jack. The plug connections are as follows:  
Inner contact for the "hot" side and the sleeve for ground.

This signal can be used for checking audio circuits.

8 Inductance and Capacitance Measurements

Unknown inductances and capacitances can be determined with use of the dip meter, see Sect. 5-2 and "A" in Fig. 1.

A : Inductance measurement:

A capacitor of known value is required. This capacitor is connected in parallel with the unknown coil and the resonant frequency is noted.

The inductance is calculated from the following:

$$L = \frac{25.330}{C_{pF} (f_{MHz})^2} \mu H$$

With use of a standard 100pF capacitor, the measurable inductance range is from 113 $\mu$ H to 0.004 $\mu$ H with use of the frequency range in the dip meter.

B : Capacitance measurement:

An inductance of known value is connected in parallel with the unknown capacitor, and the resonant frequency is noted.

The capacitance is calculated from the following:

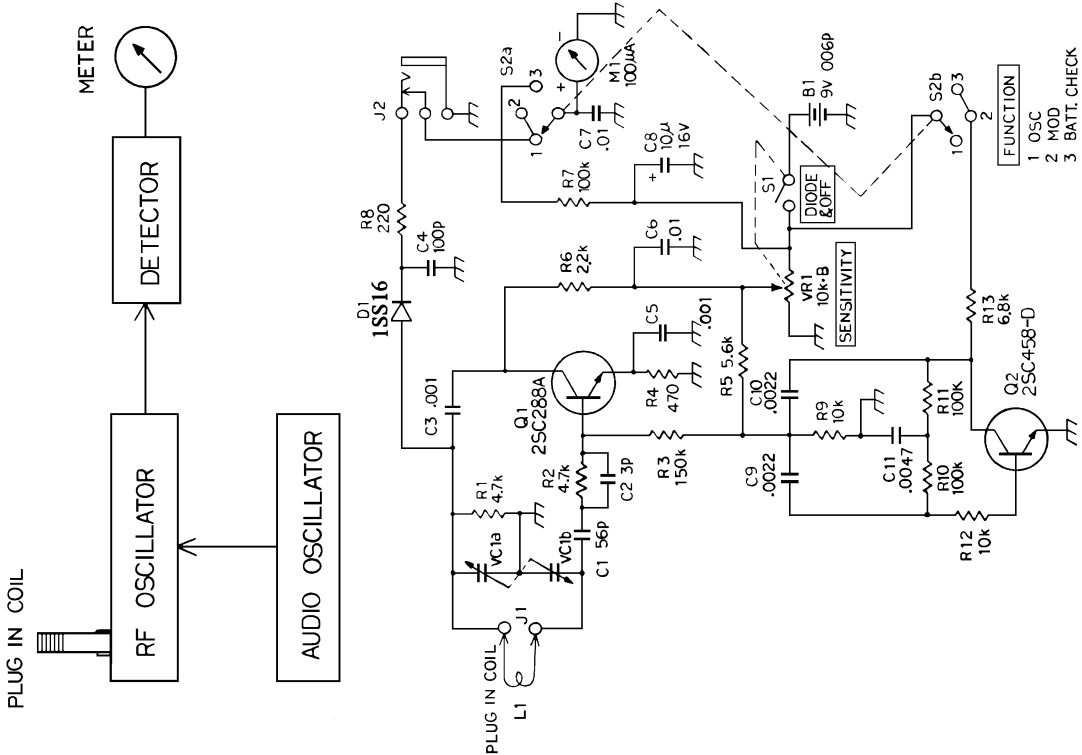
$$C = \frac{25.330}{L_{\mu H} (f_{MHz})^2} pF$$

For the "standard", the coils in the dip meter can be used when applicable. The respective inductance values are shown below:

Band	A	B	C	D	E	F
L $\mu$ H	161 $\mu$ H	39 $\mu$ H	8.4 $\mu$ H	1.2 $\mu$ H	0.22 $\mu$ H	0.047 $\mu$ H

LDM-815 Parts List

Symbol	Description	Leader Parts No.
<b>RESISTORS</b>		
R1	0.25W 4.7K $\Omega$	RD/4PNY 4.7K $\Omega$ J
R2	0.25W 4.7K $\Omega$	RD/4PNY 4.7K $\Omega$ J
R3	0.25W 150K $\Omega$	RD/4PNY 150K $\Omega$ J
R4	0.25W 470 $\Omega$	RD/4PNY 470 $\Omega$ J
R5	0.25W 5.6K $\Omega$	RD/4PNY 5.6K $\Omega$ J
R6	0.25W 2.2K $\Omega$	RD/4PNY 2.2K $\Omega$ J
R7	0.25W 100K $\Omega$	RD/4PNY 100K $\Omega$ J
R8	0.25W 220 $\Omega$	RD/4PNY 220 $\Omega$ J
R9	0.25W 10K $\Omega$	RD/4PNY 10K $\Omega$ J
R10	0.25W 100K $\Omega$	RD/4PNY 100K $\Omega$ J
R11	0.25W 100K $\Omega$	RD/4PNY 100K $\Omega$ J
R12	0.25W 10K $\Omega$	RD/4PNY 10K $\Omega$ J
R13	0.25W 6.8K $\Omega$	RD/4PNY 6.8K $\Omega$ J
<b>VARIABLE RESISTOR</b>		
VR1	0.1W 10K $\Omega$ $\pm$ 20%	V161A-1S-B10K $\Omega$
<b>CAPACITORS</b>		
C1	500WV 56pF	FM07ZC 560K5
C2	500WV 3pF	FM05ZC 030K5
C3	500WV 0.001 $\mu$ F	FK61VZ 102PZ500
C4	50WV 100pF	VFM07ZC 101K
C5	50WV 0.01 $\mu$ F	RD204YM 103Z50
C6	500WV 0.001 $\mu$ F	CK61YZ103PZ500-
C7	50WV 0.01 $\mu$ F	RD204YM 103Z50
C8	50WV 10 $\mu$ F	CE04WJC100
C9	50WV 0.0022 $\mu$ F	CO92M1H 222K
C10	50WV 0.0032 $\mu$ F	CO92M1H 322K
C11	50WV 0.0047 $\mu$ F	CO92M1H 472K
<b>VARIABLE CAPACITOR</b>		
VC1	Air variable cap. 5.75~125.55pF $\pm$ 1%	C221A112
<b>TRANSISTORS</b>		
Q1	Silicon NPN 25C288A	25C288A
Q2	Silicon NPN 25C458-D	25C458-D
<b>DIODE</b>		
D1	Silicon point contact 1SS16	1SS16
<b>PLUG-IN COILS</b>		
L1	6 Plug-in coils, band A ~ F	L-393D
<b>SWITCHES</b>		
S1	Gang with VR.1	S-2330-15mm
S2	Slide	



Symbol	Description	Leader Pats No.
	<b>PRINTED CIRCUIT BOARD</b>	
J1 J2	<b>SOCKET AND JACK</b> Type FT-243 crystal socket Mini phone jack	T-572A FT-243 SC-8050
M1	<b>METER</b> Plastic meter	100 $\mu$ A KM-48-100 $\mu$ A
B1	<b>BATTERY</b> Dry battery	9V 006P
	<b>ACCESSARY</b> Mini phone plug	SH-5006