

MODEL TC-62,  
Ch. CR-71

## OPERATING INSTRUCTIONS

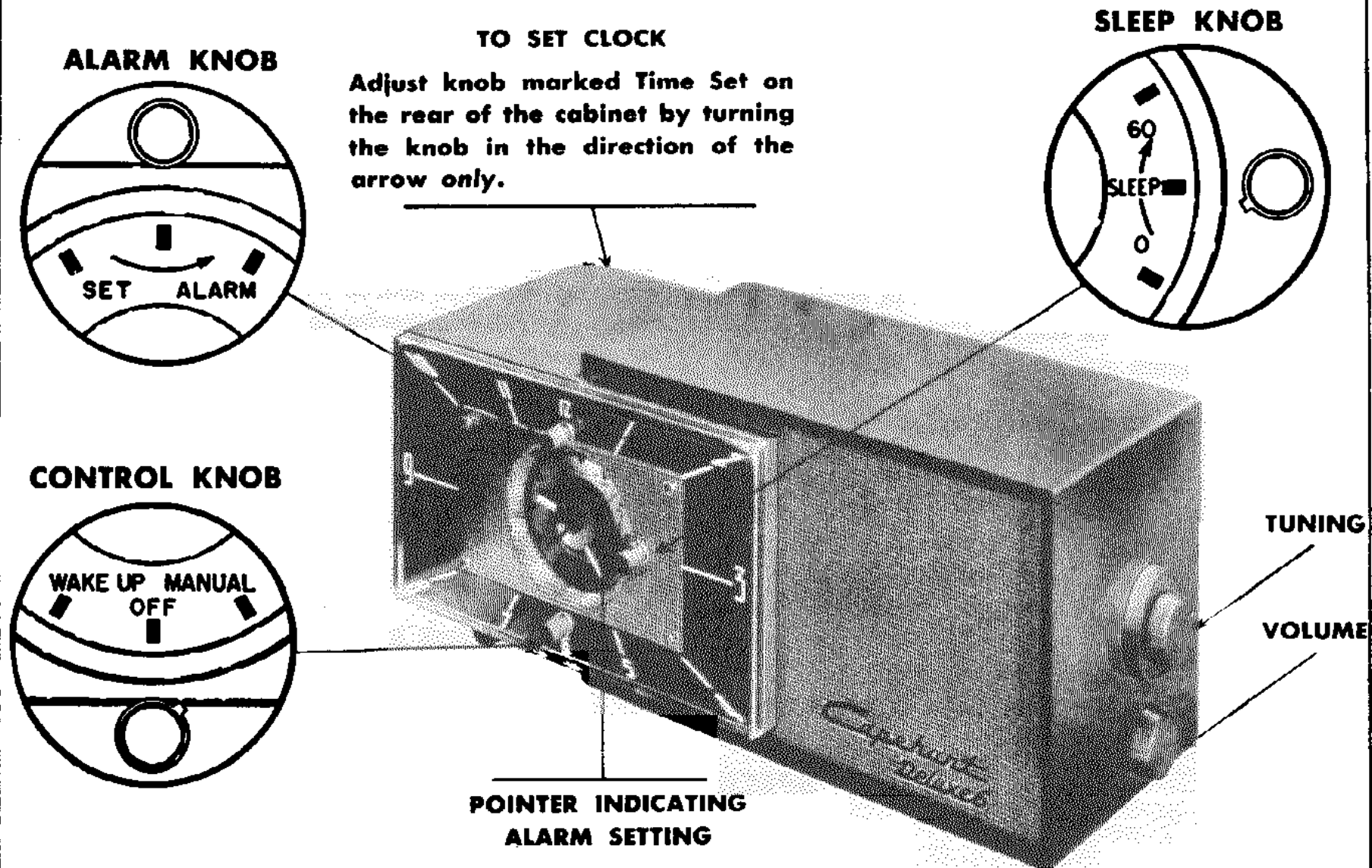
### TO SET ALARM FOR EITHER AUTOMATIC RADIO OPERATION OR "BUZZER" OR COMBINATION OF BOTH

Pull out Alarm Knob and turn to the left, this motion will rotate the small disk in the center of the clock face. Set the pointer attached to the hour hand to the desired time indicated on the disk. When the Control Knob is on Wake-Up the radio will turn on automatically. Of course, the radio should be pre-tuned to a station and the Volume Control should be pre-set to the proper level to obtain proper automatic radio operation.

If the Alarm Knob is in the out position the "buzzer" will be sounded shortly after the radio goes on.

If it is desired to have the alarm only, independent of the radio pull the Alarm Knob out and set the Control Knob to Off.

Another combination of operations is provided with the Sleep Knob, which will turn off the radio automatically at night (see "TO TURN RADIO AND APPLIANCE OFF AUTOMATICALLY") and, provided the Control Knob is in Wake-Up position, the radio will turn on automatically in the morning.



### TO TURN RADIO AND APPLIANCE OFF AUTOMATICALLY

Turn the Sleep Knob to the right and if the small projection on the Sleep Knob is used as a rough indicator a reasonable degree of accuracy can be obtained in adjusting for any period of operation up to 60 minutes. For instance, if 15 minutes of operation is desired the Sleep Knob should be adjusted approximately one-quarter of its full rotation. If it is not desired to have the radio turned on automatically in the morning, then set the Control Knob to Off before you set the Sleep Knob for automatic turnoff.

### TO TURN ON APPLIANCE AUTOMATICALLY

Plug electrical appliance into outlet on rear of radio, set Control Knob at Wake-Up position and the appliance will be turned on at the time determined by the setting of the Alarm Knob. The radio will operate at the same time, but if radio music is not desired the Volume Knob should be turned fully to the left.

### TO PLAY RADIO MANUALLY

1. Set the Control Knob to the manual position.
2. Adjust Tuning Knob for desired station.
3. Set the Volume Control for desired sound volume.

## REMOVAL AND SERVICE OF CLOCK MECHANISM

### SERVICE

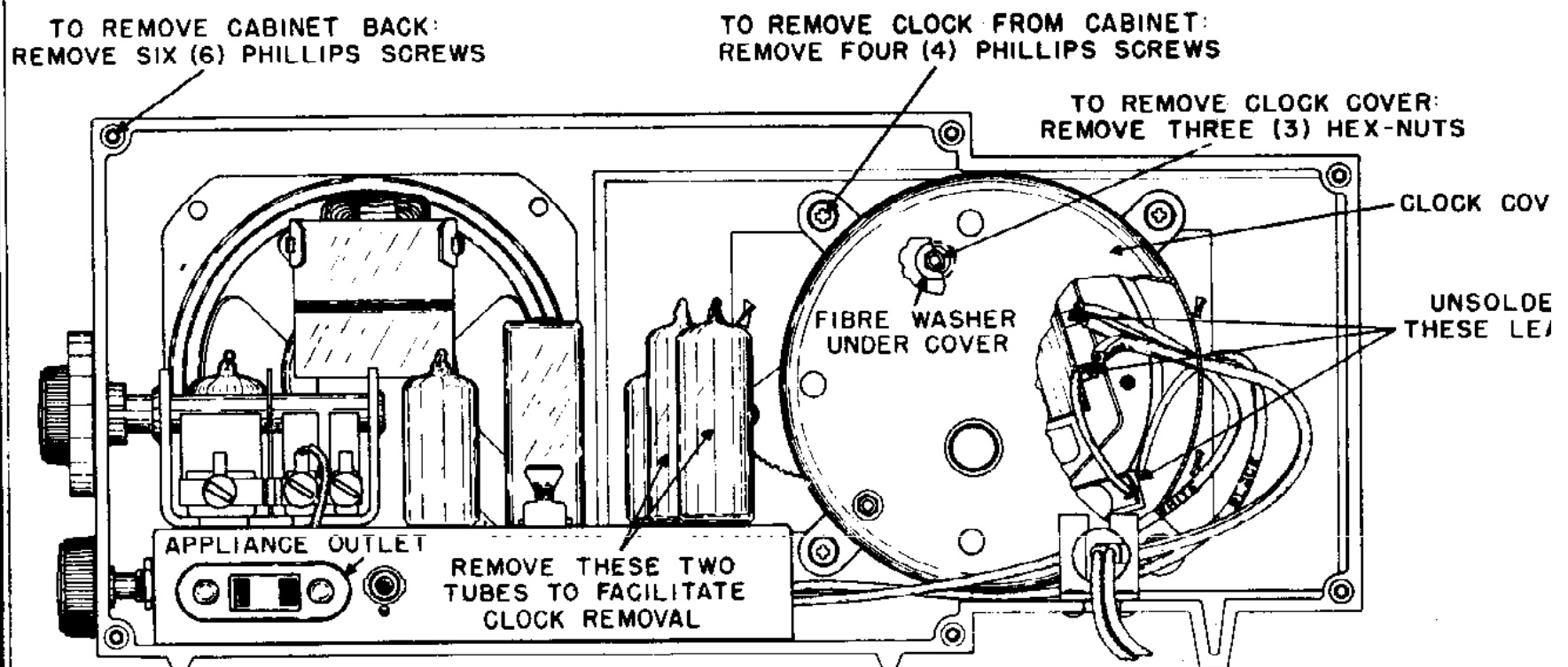
The clock mechanism used in this unit is not to be serviced by anyone other than an authorized Telechron Service Agency (see pages 7 and 8 of this manual for a listing of these agencies). When it is determined that the clock requires adjustment or repair, remove the clock mechanism from the cabinet (as per the following instructions) and return the clock mechanism to your Capehart distributor or an agency specified by him. If the clock mechanism is to be shipped by mail or express, be certain that it is adequately protected and properly packed.

### TO REMOVE CLOCK

1. Remove (pull off) the three knobs from the front of the clock.
2. Remove the six (6) Phillips-head screws which fasten the back of the cabinet.

3. Remove the four (4) Phillips-head screws which secure the clock to the inside of the cabinet.
4. Remove the 35W4 and 35C5 tubes to facilitate removal of the clock.
5. Pull clock out of the cabinet by sliding it to the left and back.
6. Remove the three hex nuts which fasten the metal cover to the clock. Keep the metal cover and hardware (4 Phillips screws, 3 hex nut and 3 fibre washers) with the cabinet, do not return this material with the clock.
7. Unsolder four (4) electrical leads from the clock.

**NOTE:** To re-install the clock follow the above procedure in reverse.



MODEL TC-62,  
Ch. CR-71

## TC-62 ALIGNMENT INSTRUCTIONS

**Equipment required:**

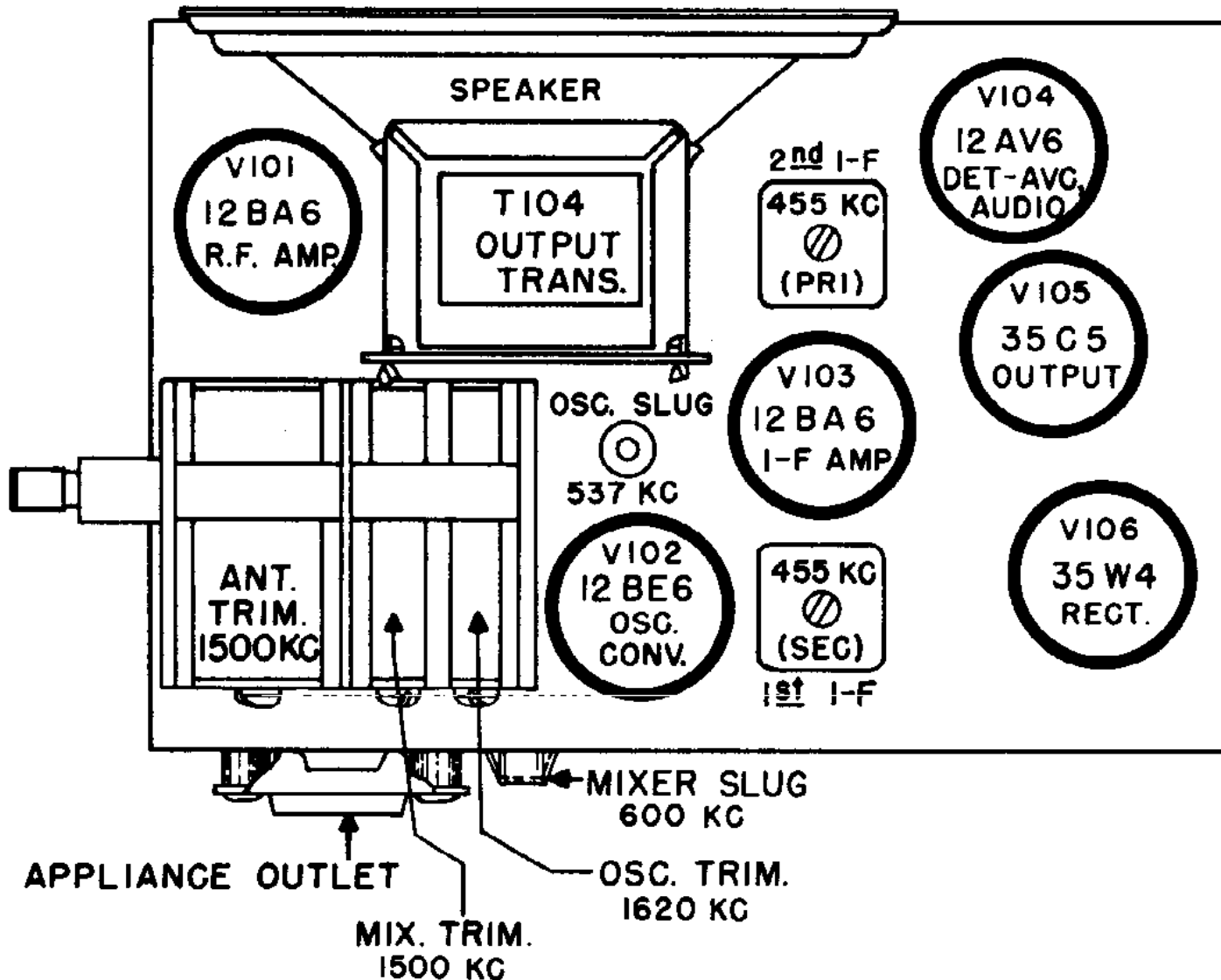
1. Calibrated R.F. Signal Generator (Signal from 455KC to 1620KC).
2. Low Range Output Meter.

**Alignment:**

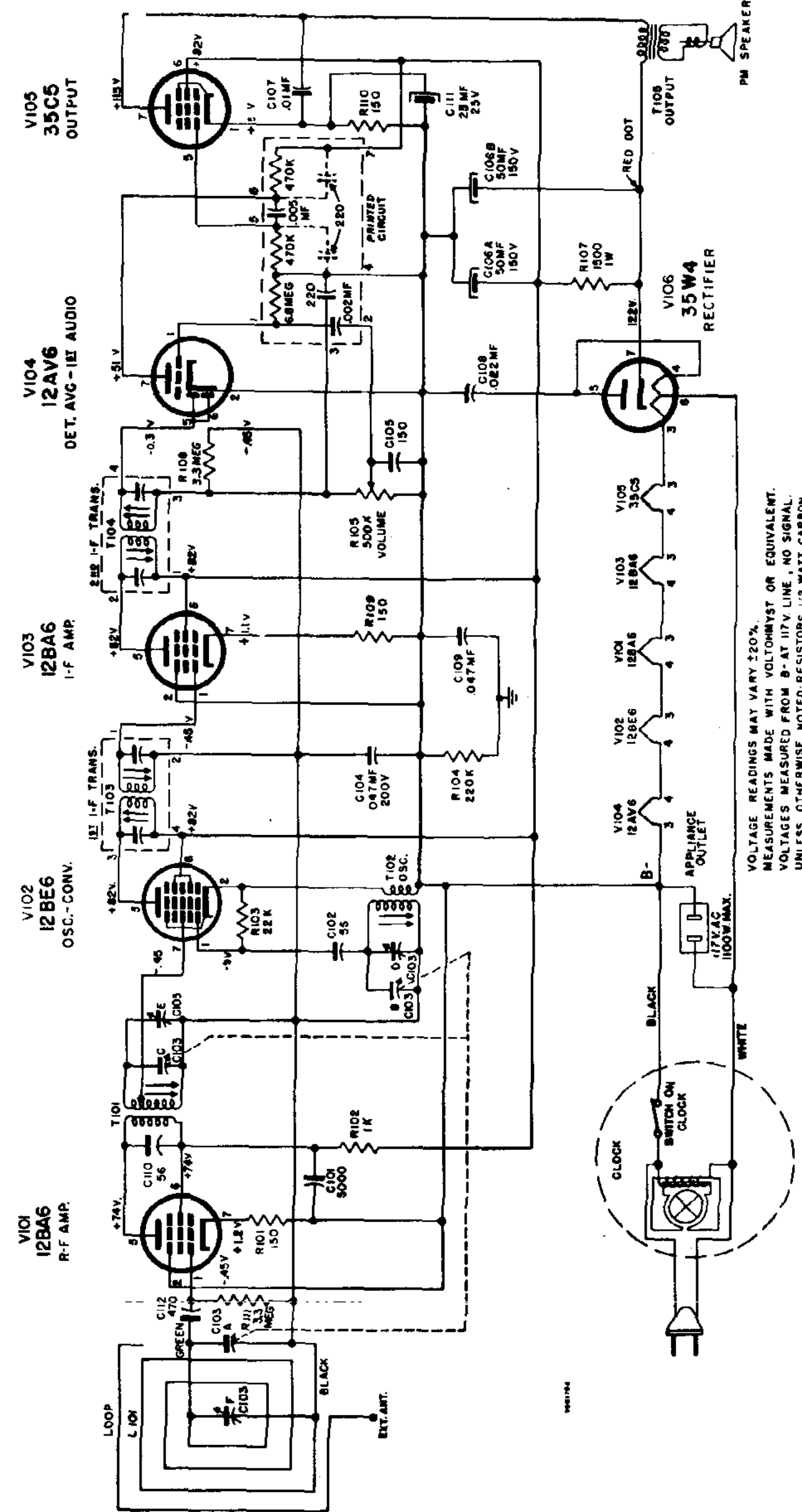
- a. Turn set on, adjust volume to maximum.
- b. See that dial pointer coincides with calibration marks at extremes of dial scale.
- c. Connect output meter across speaker voice coil.

Step No.	Set R.F. Generator At	Connect Generator To	Set Gang Condenser To	Adjust	To Obtain
1	455 Kc.	Antenna section of Gang Condenser	Fully open. Disable osc. section of tuning gang.	I.F. slugs T103 T104	Max.
2	1620 Kc.	Antenna section of Gang Condenser	Fully open.	Osc. Trimmer C103D	Max.
3	537 Kc.	Antenna section of Gang Condenser	Fully closed.	Osc. Coil T102	Max.
4	1500 Kc.	Antenna section of Gang Condenser	1500 Kc.	Mixer Trimmer C103E	Max.
5	600 Kc.	Antenna section of Gang Condenser	600 Kc.	Mixer Coil T101	Max.
6	1500 Kc.	Loosely couple to Loop antenna	1500 Kc.	Antenna Trimmer C103F	Max.

## CHASSIS LAYOUT



# SCHEMATIC DIAGRAM



VOLTAGE READINGS MAY VARY ±20%.  
 MEASUREMENTS MADE WITH VOLTOHMYST OR EQUIVALENT.  
 VOLTAGES MEASURED FROM B- AT 117V LINE, NO SIGNAL.  
 UNLESS OTHERWISE NOTED RESISTORS 1/2 WATT CARBON  
 CAPACITORS 500V.

MODEL TC-62,  
Ch. CR-71

Ref. No.	Description	Part No.	List
<b>PARTS PRICE LIST</b>			
<b>INDUCTANCES</b>			
L101	Loop Antenna .....	750207A-2	\$ 1.30
T101	Mixer Coil .....	453247B-1	1.30
T102	Oscillator Coil .....	453248A-1	.90
T103	1st I. F. Transformer .....	452243A-1	1.40
T104	2nd I. F. Transformer .....	452243A-1	1.40
T105	Output Transformer (Part of Assembly No. 750373A-1)		
<b>RESISTORS</b>			
R101, 109, 110	150 ohm ½ w. 10% .....	3229-151	.10
R102	1K ½ w. 10% .....	3229-102	.10
R103	22K ½ w. 10% .....	3229-223	.10
R104	220K ½ w. 10% .....	3229-224	.10
R105	500K Volume Control .....	452241A-1	.80
R107	1500 ohm 1 w. 10% .....	3232-152	.10
R108	3.3 meg. ½ w. 20% .....	3230-335	.10
<b>CAPACITORS</b>			
C101	5000 mmf. Ceramic Disc .....	450469A-1	.25
C102, 110	56 mmf. Ceramic .....	2241-554	.25
C103 A,B,C,D,E,F	Variable Tuning Capacitor .....	650227A-1	3.50
C104	.047 mfd. 200 V. ....	2246-4730	.20
C105	150 mmf. Ceramic .....	2240-021	.20
C106	50 mfd. 50 mfd. 150 V. Electrolytic .....	650326A-1	2.10
C107	.01 mfd. 600 V. ....	2248-1030	.20
C108	.022 mfd. 600 V. ....	2248-2230	.25
C109	.047 mfd. 600 V. ....	2248-4730	.30
C111	25 mfd. 25 V. Electrolytic .....	452132A-3	1.00
<b>MISCELLANEOUS</b>			
	Speaker and Output Transformer Assembly .....	750373A-1	6.00
	Clock .....	750377A-1	17.15
	Appliance A. C. Outlet .....	450427A-1	.30
	Line Cord .....	650171A-3	.60
	Speaker Grille .....	650634A-1	1.20
	Clock Grille .....	650323A-1	.85
	Clock Grille (Sage Green) .....	650323A-2	1.25
	Capehart Insignia .....	452188B-2	.25
	Decorative Stud .....	452235A-1	.10
	Speednut .....	452696A-14	.10
	Clock Escutcheon .....	750198A-1	2.05
	Clock Escutcheon (Ivory) .....	750198A-2	2.05
	Insignia "Deluxe 6" .....	453314A-2	.15
<b>CABINET PARTS</b>			
Cabinet Assembly	(Grey-Blue) .....	453246A-G1	7.20
	(Ivory) .....	453246A-G4	7.20
	(Ebony) .....	453246A-G5	7.20
	(Sage Green) .....	453246A-G7	7.20
Cabinet Back	(Grey-Blue) .....	850130A-1	2.75
	(Ivory) .....	850130A-4	2.75
	(Ebony) .....	850130A-5	2.75
	(Sage Green) .....	850130A-7	2.75
Knob, Tuning Dial	(Grey-Blue) .....	650325A-1	.35
	(Ivory) .....	650325A-4	.35
	(Ebony) .....	650325A-5	.35
	(Sage Green) .....	650325A-12	.35
Knob, Radio	(Grey-Blue) .....	452240A-1	.15
	(Ivory) .....	452240A-4	.15
	(Ebony) .....	452240A-5	.15
	(Sage Green) .....	452240A-11	.15
Knob Clock	(Grey-Blue) .....	453134A-1	.10
	(Ivory) .....	453134A-4	.10
	(Ebony) .....	453134A-5	.10
	(Sage Green) .....	453134A-7	.10

**Use only genuine Capehart replacement parts.**  
**All prices subject to change without notice.**